

6" ROUND DOWNLIGHT 3x4

LED

RD6-34
LED

APPLICATION:

Retail and commercial general ambient and display lighting

CONSTRUCTION:

Stamped steel mounting plate and mounting bars
Extruded aluminum heat sink

ELECTRICAL:

Electronic constant current LED driver, 120v or 277v input
Dimming down to less than 20%, available on 120v only with ELV dimming equipment, consult factory for approved device list

This product complies with IEEE C62.41 for surge endurance up to 1KV. Amerlux recommends using additional surge protection with this unit (supplied by others), surge damage is not covered by warranty.

OPTICS:

LED cluster
Color Temp: 3000K (3045K ±175)
CRI: 85
Life: 50,000 hrs
Lumen Maintenance: >70% of initial lumens @ 50,000 hrs
Lumen output: Flood 1236 typical
Wide Flood 1144 typical
Very Wide Flood 1190 typical
Spun semi-diffuse clear aluminum aperture cone with white flange (standard)
Beam options: Flood 30°, Wide Flood 45°, Very Wide Flood 60°

MOUNTING:

For use in T-Grid and sheetrock ceilings

LABELING:

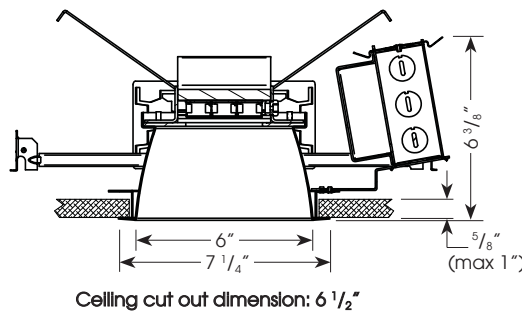
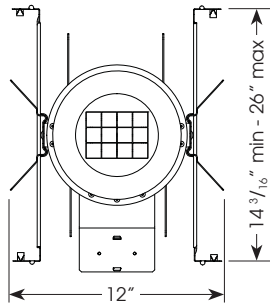


Mark spacing 24"



PROJECT:

TYPE:



ELECTRICAL

Driver	Operating Watts* (min/max)	Amps* (min/max)
Electronic 120v	27/38	.23/.32
277v	27/38	.10/.14

Class 2 constant current driver, 700 mA

*LED forward voltage bins result in actual consumed watts ranging from 27w to 38w. For circuiting planning use max watts and amp data provided.

ORDERING INFORMATION:

Model	Wattage	Lamp Type	Driver	Aperture Cone Finish	Trim Finish	Voltage	Beam Spread	Color Temp	Options
RD6-34	32	LED	E - electronic	SD - semi-diffuse	W - white C - clear (same as cone finish)	120 277	NF - narrow flood, 16° FL - flood, 30° WF - wide flood, 45° VWF - very wide flood, 60°	3000 Consult factory for other color temperature options	DIM - dimming (120v only)

10 year limited warranty
AMERLUX LED
(see website for details)

Example: RD6-34-32-LED-E-SD-W-120-FL-3000

Cat #:

Amerlux reserves the right to change details that do not affect overall function and performance.



6" ROUND DOWNLIGHT 3x4

LED

RD6-34
LED



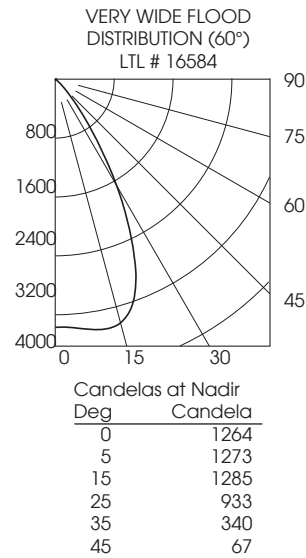
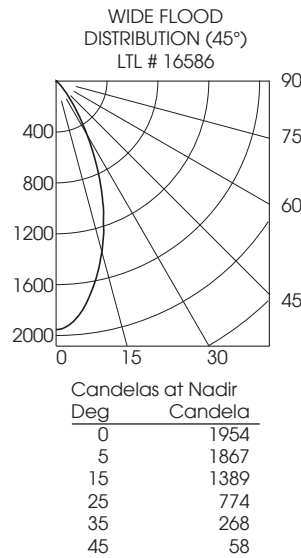
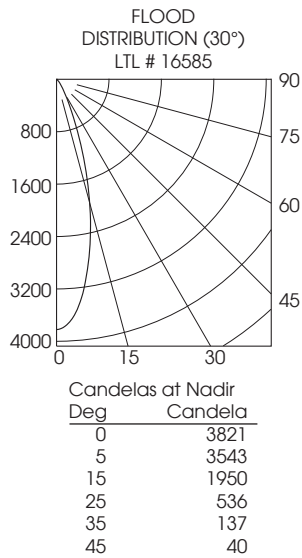
TYPE:



FIXTURE DATA:

Complete photometric data (ies format) available upon request.

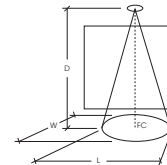
32W LED



APPLICATION DATA:

Notes and Definitions:

Beam spread is to 50% center beam candlepower (CBCP).
 D=Distance to floor or wall.
 FC=Footcandles on floor or wall at center beam aiming location.
 L=Effective Visual Beam length in feet (50% of maximum footcandle level).
 W=Effective Visual Beam width in feet (50% of maximum footcandle level).
 CB=Distance across or down to center beam location.



0° Aiming Angle
Horizontal Footcandles

	D	FC	L	W
FLOOD	5.0'	153	2.5	2.5
	7.5'	68	3.8	3.8
	10.0'	38	5.1	5.1
	12.5'	25	6.3	6.3
WIDE FLOOD	5.0'	78	3.4	3.4
	7.5'	35	5.1	5.1
	10.0'	20	6.9	6.9
	12.5'	13	8.6	8.6
VERY WIDE FLOOD	5.0'	51	4.8	4.8
	7.5'	23	7.3	7.3
	10.0'	13	9.8	9.8
	12.5'	8	12.2	12.2