

# CONTOUR HORIZONTAL 2x2

## TRACK LED

CNTRH22  
LED

### APPLICATION:

Retail and commercial accent and display lighting

### CONSTRUCTION:

Extruded aluminum ballast housing and heat sink  
Stamped aluminum end plates  
Formed steel wire cover  
Powder coat paint, available in over 200 finishes

### ELECTRICAL:

Electronic constant current LED driver  
120v or 277v input  
Dimming down to less than 20%, available on 120v only with ELV (reverse phase) dimming equipment, consult factory for approved device list

**This product complies with IEEE C62.41 for surge endurance up to 2.5KV. Amerlux recommends using additional surge protection with this unit (supplied by others), surge damage is not covered by warranty.**

### OPTICS:

LED cluster  
Color Temp Options: 2700K (2725K ±175)  
3000K (3045K ±175)  
CRI: 85  
Life: 50,000 hrs  
Lumen Maintenance: >70% of initial lumens @ 50,000 hrs  
Lumen output (@ 3000K): 478 typ Narrow Flood, 444 typ Medium Flood, 438 typ Flood, 419 typ Wide Flood  
0-90° tilt, 360° rotation  
Beam options: Narrow Flood 16°, Medium Flood 24° Flood 30°, Wide Flood 45°, Very Wide Flood 60°

### MOUNTING:

Track and busway

### LABELING:

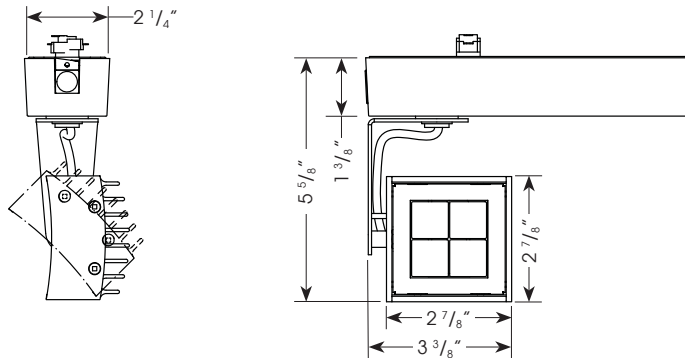


PROJECT:

TYPE:



Electrostatic sensitive device,  
observe precautions for  
handling



### ELECTRICAL

Driver	Operating Watts*	Amps*
Electronic 120v	12	.10
277v	12	.04

Class 2 constant current driver, 700 mA

\*LED forward voltage bins result in actual consumed watts ranging ±10%. For circuiting planning use max watts and amp data.

### ORDERING INFORMATION:

Model	Wattage	Lamp Type	Ballast	Finish	Mounting	Voltage	Beam Spread	Color Temp	Options
CNTRH22	12	LED	E - electronic	WT - white texture BT - black texture ST - silver texture — (other RAL)	TS1 - 1 circuit, Halo compatible TL1 - 1 circuit, Lightolier compatible TJ1 - 1 circuit, Juno compatible TN2 - Global 2cir/2neut, 277v B - busway	120 277	NF - narrow flood, 16° MFL - medium flood, 24° FL - flood, 30° WF - wide flood, 45° VWF - very wide flood, 60° SL - linear spread lens, 12° x 48°	2700 3000	DIM - dimming (120v only) <b>Snoot</b> (accepts up to 2 forms of light control media) SN - snoot 3/4", specify WT, BT, ST finish <b>Light Control Media</b> (requires snoot) CB - cross blade 1/2" deep, 4 cell, black (B) finish standard HEX - hexcell louver, 1/8"x1/8" SPR - prismatic spread lens (use only with NF, FL) LSPR - linear spread lens (do not use if SL beam spread is specified)

Example: CNTRH22-12-LED-E-WT-TN1-120-NF-3000

Cat #:

Amerlux reserves the right to change details that do not affect overall function and performance.

# CONTOUR HORIZONTAL 2X2

TRACK LED

CNTRH22  
LED



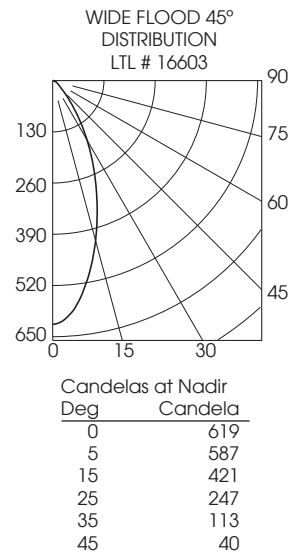
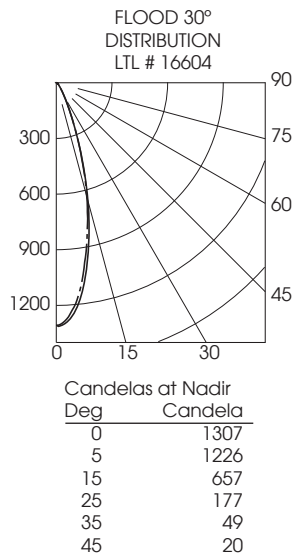
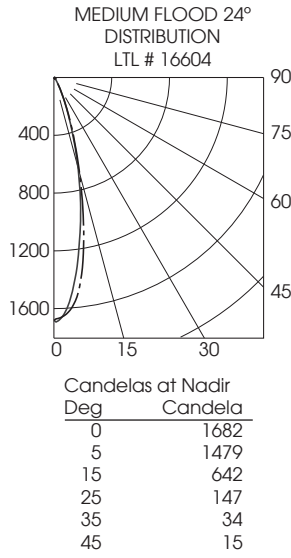
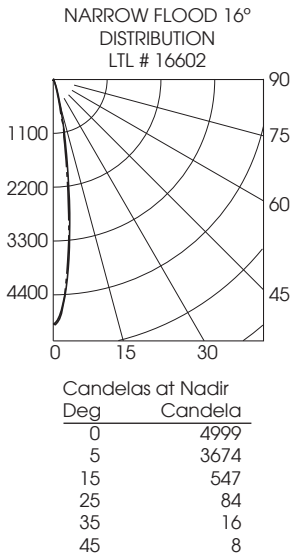
TYPE:



**FIXTURE DATA:**

Complete photometric data (ies format) available upon request.

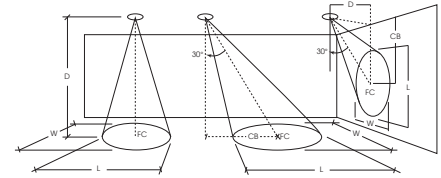
**12W LED**



**APPLICATION DATA:**

**Notes and Definitions:**

Beam spread is to 50% center beam candlepower (CBCP).  
 D=Distance to floor or wall.  
 FC=Footcandles on floor or wall at center beam aiming location.  
 L=Effective Visual Beam length in feet (50% of maximum footcandle level).  
 W=Effective Visual Beam width in feet (50% of maximum footcandle level).  
 CB=Distance across or down to center beam location.



	0° Aiming Angle Horizontal Footcandles				30° Aiming Angle Horizontal Footcandles					30° Aiming Angle Vertical Footcandles					60° Aiming Angle Vertical Footcandles				
	D	FC	L	W	D	FC	L	W	CB	D	FC	L	W	CB	D	FC	L	W	CB
NARROW FLOOD	5.0'	200	1.3	1.2	5.0'	127	1.8	1.4	3.0	3.0'	79	2.7	1.4	4.7	3.0'	358	1.1	0.8	1.7
	7.5'	89	1.9	1.8	7.5'	58	2.6	2.1	4.0	4.0'	45	3.5	1.9	6.3	4.0'	207	1.4	1.2	2.3
	10.0'	50	2.7	2.6	10.0'	32	3.6	2.9	6.0	5.0'	29	4.4	2.3	7.8	5.0'	133	1.7	1.4	2.8
	12.5'	32	3.3	3.2	12.5'	21	4.3	3.5	7.0	6.0'	20	5.3	2.7	9.3	6.0'	92	2.1	1.8	3.2
MEDIUM FLOOD	5.0'	67	2.1	2.4	5.0'	43	2.8	2.7	3.0	3.0'	32	3.5	2.4	3.7	3.0'	121	1.7	1.6	1.8
	7.5'	30	3.2	3.4	7.5'	20	3.9	3.8	4.0	4.0'	18	4.6	3.1	5.3	4.0'	70	2.2	2.1	2.3
	10.0'	17	4.2	4.6	10.0'	11	5.3	5.1	5.0	5.0'	12	5.8	3.9	6.7	5.0'	45	2.7	2.6	2.8
	12.5'	11	5.3	5.6	12.5'	7	6.7	6.3	7.0	6.0'	8	6.9	4.7	7.8	6.0'	32	3.2	3.1	3.3
FLOOD	5.0'	52	2.6	2.5	5.0'	34	3.2	2.8	2.0	3.0'	28	3.5	2.3	3.8	3.0'	98	1.9	1.6	1.2
	7.5'	23	3.8	3.7	7.5'	16	4.7	4.1	4.0	4.0'	16	4.6	3.1	4.8	4.0'	56	2.5	2.2	1.8
	10.0'	13	5.0	4.9	10.0'	9	6.1	5.4	5.0	5.0'	10	5.7	3.9	5.7	5.0'	36	3.1	2.7	2.2
	12.5'	8	6.3	6.0	12.5'	6	7.7	6.7	6.0	6.0'	7	6.9	4.7	6.8	6.0'	25	3.6	3.2	2.7
WIDE FLOOD	5.0'	25	3.4	3.4	5.0'	17	4.1	3.7	2.0	3.0'	17	4.0	3.1	2.8	3.0'	48	2.4	2.2	1.3
	7.5'	11	5.0	5.0	7.5'	8	6.1	5.6	3.0	4.0'	9	5.3	4.3	3.8	4.0'	27	3.2	3.0	1.7
	10.0'	6	6.6	6.6	10.0'	4	8.1	7.5	4.0	5.0'	6	6.6	5.0	4.8	5.0'	18	4.0	3.7	2.2
	12.5'	4	8.2	8.1	12.5'	3	10.0	9.3	5.0	6.0'	4	7.8	6.0	5.8	6.0'	12	4.8	4.4	2.8