

# CONTOUR 2X2 MULTIPLE RECESSED 4LT LED

CNTR22R-4  
LED

## APPLICATION:

Retail and commercial accent and display lighting

## CONSTRUCTION:

Extruded aluminum heat sink  
Stamped aluminum end plates  
Formed steel upper housing  
Powder coat paint, available in over 200 finishes

## ELECTRICAL:

Electronic constant current LED driver  
120v or 277v input  
Dimming down to less than 20%, available on 120v only with ELV dimming equipment, consult factory for approved device list

**This product complies with IEEE C62.41 for surge endurance up to 2.5KV. Amerlux recommends using additional surge protection with this unit (supplied by others), surge damage is not covered by warranty.**

## OPTICS:

LED cluster  
Color Temp Options: 2700K (2725K ±175)  
3000K (3045K ±175)  
CRI: 85  
Life: 50,000 hrs  
Lumen Maintenance: >70% of initial lumens @ 50,000 hrs  
Lumen output (@ 3000K): 478 typ Narrow Flood  
438 typ Flood  
419 typ Wide Flood

0-40° tilt, 360° rotation  
Beam options: Narrow Flood 16°, Flood 30°,  
Wide Flood 45°, Very Wide Flood 60°

## MOUNTING:

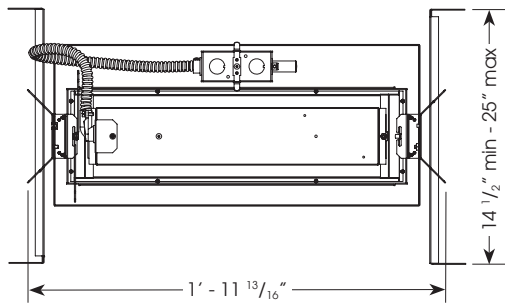
For use in T-Grid and sheetrock ceilings

## LABELING:

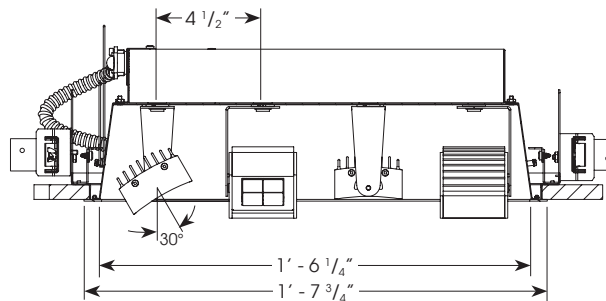


PROJECT:

TYPE:



Celling cut out dimension: 5 9/16" x 19 5/16"

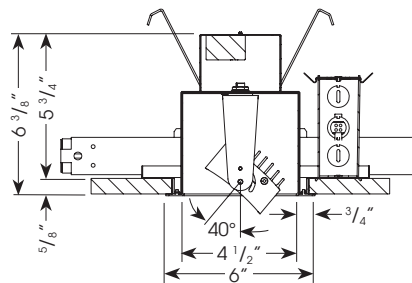


## ELECTRICAL

Driver	Operating Watts* (min/max)	Amps* (min/max)
Electronic 120v	36/54	0.3/0.48
277v	36/54	0.3/0.20

Class 2 constant current driver, 700 mA

\*LED forward voltage bins result in actual consumed watts ranging from 9w to 13.5w per LED head. For circuiting planning use max watts and amp data provided.



Amerlux reserves the right to change details that do not affect overall function and performance.

## ORDERING INFORMATION:

Model	# Heads	Wattage	Lamp Type	Driver	Housing/ Head Finish	Voltage	Beam Spread				Trim Ring Finish	Color Temp	Options
							Head 1	Head 2	Head 3	Head 4			
CNTR22R	4	12	LED	E - electronic	WT - white texture BT - black texture ST - silver texture - (other RAL)	120 277	NF FL WF VWF SL	NF FL WF VWF SL	NF FL WF VWF SL	NF FL WF VWF SL	WT - white texture	2700 3000	DIM - dimming (120v only) <b>Snoot</b> (accepts up to 2 forms of light control media) SN - snoot 3/4", specify WT, BT, ST finish  <b>Light Control Media</b> (requires snoot) CB - cross blade 1/2" deep, 4 cell, blk (B) finish standard HEX - hexcell louver, 1/8" x 1/8" SPR - prismatic spread lens (use only with NF, FL) LSPR - linear spread lens (do not use if SL beam spread is specified)

Example: CNTR22R-4-12-LED-E-WT-120-NF-NF-NF-NF-WT-3000

Cat #:

# CONTOUR 2X2 MULTIPLE RECESSED 4LT LED

CNTR22R-4  
LED



TYPE:

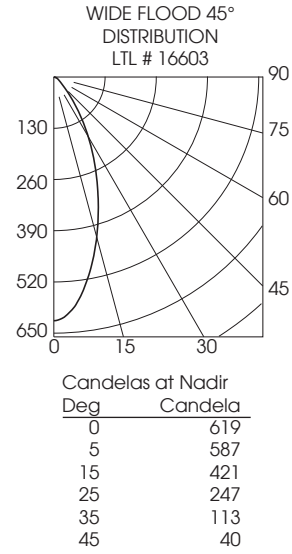
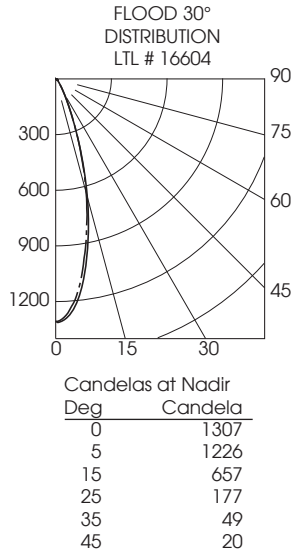
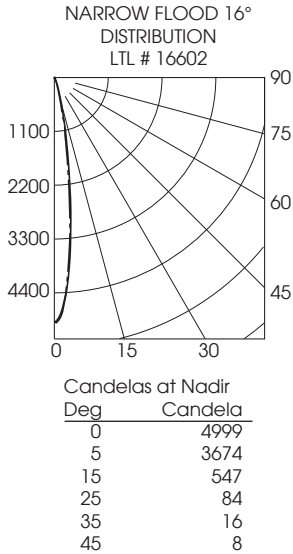


## FIXTURE DATA:

Complete photometric data (ies format) available upon request.

Note: Data per head

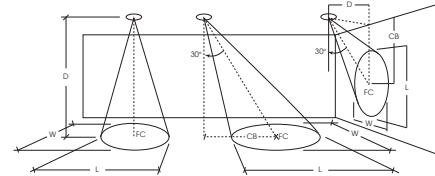
### 12W LED



## APPLICATION DATA:

### Notes and Definitions:

Beam spread is to 50% center beam candlepower (CBCP).  
 D=Distance to floor or wall.  
 FC=Footcandles on floor or wall at center beam aiming location.  
 L=Effective Visual Beam length in feet (50% of maximum footcandle level).  
 W=Effective Visual Beam width in feet (50% of maximum footcandle level).  
 CB=Distance across or down to center beam location.



	0° Aiming Angle Horizontal Footcandles				30° Aiming Angle Horizontal Footcandles					30° Aiming Angle Vertical Footcandles					60° Aiming Angle Vertical Footcandles				
	D	FC	L	W	D	FC	L	W	CB	D	FC	L	W	CB	D	FC	L	W	CB
NARROW FLOOD	5.0'	200	1.3	1.2	5.0'	127	1.8	1.4	3.0	3.0'	79	2.7	1.4	4.7	3.0'	358	1.1	0.8	1.7
	7.5'	89	1.9	1.8	7.5'	58	2.6	2.1	4.0	4.0'	45	3.5	1.9	6.3	4.0'	207	1.4	1.2	2.3
	10.0'	50	2.7	2.6	10.0'	32	3.6	2.9	6.0	5.0'	29	4.4	2.3	7.8	5.0'	133	1.7	1.4	2.8
	12.5'	32	3.3	3.2	12.5'	21	4.3	3.5	7.0	6.0'	20	5.3	2.7	9.3	6.0'	92	2.1	1.8	3.2
FLOOD	D	FC	L	W	D	FC	L	W	CB	D	FC	L	W	CB	D	FC	L	W	CB
	5.0'	52	2.6	2.5	5.0'	34	3.2	2.8	2.0	3.0'	28	3.5	2.3	3.8	3.0'	98	1.9	1.6	1.2
	7.5'	23	3.8	3.7	7.5'	16	4.7	4.1	4.0	4.0'	16	4.6	3.1	4.8	4.0'	56	2.5	2.2	1.8
	10.0'	13	5.0	4.9	10.0'	9	6.1	5.4	5.0	5.0'	10	5.7	3.9	5.7	5.0'	36	3.1	2.7	2.2
12.5'	8	6.3	6.0	12.5'	6	7.7	6.7	6.0	6.0'	7	6.9	4.7	6.8	6.0'	25	3.6	3.2	2.7	
WIDE FLOOD	D	FC	L	W	D	FC	L	W	CB	D	FC	L	W	CB	D	FC	L	W	CB
	5.0'	25	3.4	3.4	5.0'	17	4.1	3.7	2.0	3.0'	17	4.0	3.1	2.8	3.0'	48	2.4	2.2	1.3
	7.5'	11	5.0	5.0	7.5'	8	6.1	5.6	3.0	4.0'	9	5.3	4.3	3.8	4.0'	27	3.2	3.0	1.7
	10.0'	6	6.6	6.6	10.0'	4	8.1	7.5	4.0	5.0'	6	6.6	5.0	4.8	5.0'	18	4.0	3.7	2.2
12.5'	4	8.2	8.1	12.5'	3	10.0	9.3	5.0	6.0'	4	7.8	6.0	5.8	6.0'	12	4.8	4.4	2.8	