

EVOKE 2.9" ROUND DOWNLIGHT

LED

E2.9RD
LED

APPLICATION:

Commercial & hospitality ambient & task lighting

CONSTRUCTION:

20 ga. galvanized steel frame
18 ga. galvanized steel splice housing and hanger brackets
Extruded aluminum heat sink

OPTICS:

Spun aluminum matte semi-diffuse aperture cone, 40° and 55° beam patterns

LED:

Color Temp Options: 2700K (2725K ±175)
3000K (3045K ±175)

CRI: 82 typ.

Life: 50,000 hrs

Lumen Maintenance: >70% of initial lumens @ 50,000 hrs

Lumen output (@3000K): 462 typ Flood
478 typ Wide Flood

ELECTRICAL:

Branch through circuit wiring

Standard:

Electronic constant current LED driver, 120v or 277v input, Dimmable to less than 20%, available on 120v only with ELV dimming equipment, consult factory for approved device list

This product complies with IEEE C62.41 for surge endurance up to 2.5KV. Amerlux recommends using additional surge protection with this unit (supplied by others), surge damage is not covered by warranty.

Options:

Dimming: Lutron Hi-lume® dimming driver (see Lutron.com for compatible dimmers)

Emergency: Bodine BSL23C Emergency driver with max. output of 4.5w/410mA for 90 minutes

MOUNTING:

For use in T-grid or sheet rock ceilings

LABELING:



Wet location (with lens accessory)

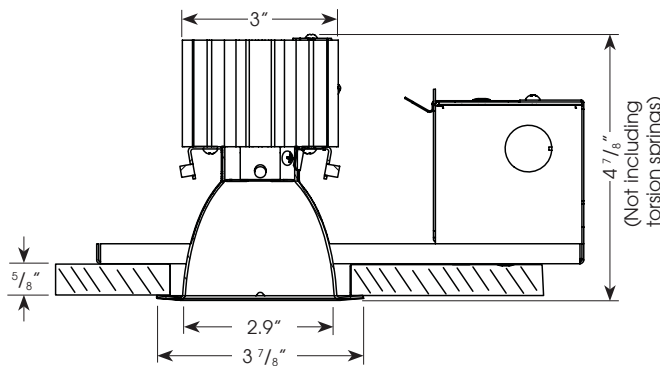
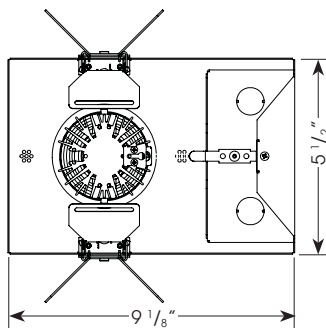


PROJECT:

TYPE:



Electrostatic sensitive device, observe precautions for handling



Ceiling Cut Out Dimension: 3 7/16"

ELECTRICAL

Driver	Operating Watts*	Amps
Electronic 120v	12	.10
277v	12	.04

Class 2 constant current driver, 1100 mA

ORDERING INFORMATION:

HOUSING:						REFLECTOR/LED OPTIC:					
Model	Wattage	Lamp Type	Ballast	Voltage	Options	Model	Aperture Cone Finish	Flange Finish	Beam Spread	Color Temp	Options
E2.9R	12	LED	E - electronic	120 277	EM - emergency battery pack (please specify) DIM - ELV dimming standard (120v only) HILUME -Lutron Hi-lume® dimming driver	E2.9RD	SD - semi-diffuse	W - white C - clear (same as aperture)	FL - flood, 40° WF - wide flood, 55°	2700 3000	WET - wet location lens

Complete Unit Example: E2.9R-12-LED-E-120/E2.9RD-SD-W-FL-3000

Housing Example: E2.9R-12-LED-E-120

Reflector Example: E2.9RD-SD-W-FL-3000

Cat #:

Amerlux reserves the right to change details that do not affect overall function and performance.



10 year limited warranty
AMERLUX LED
(see website for details)

EVOKE 2.9" ROUND DOWNLIGHT

LED

E2.9RD
LED



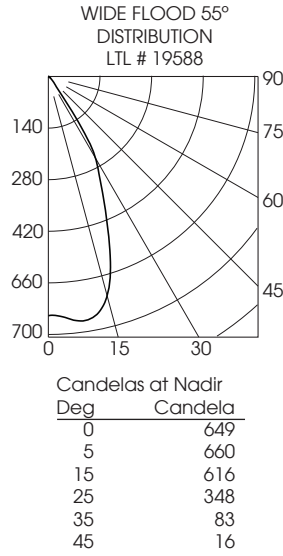
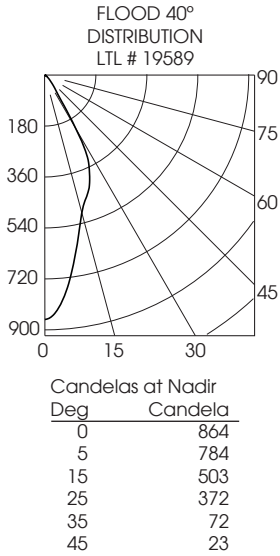
TYPE:



FIXTURE DATA:

Complete photometric data (ies format) available upon request.

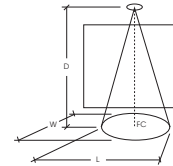
12W LED



APPLICATION DATA:

Notes and Definitions:

Beam spread is to 50% center beam candlepower (CBCP).
 D=Distance to floor or wall.
 FC=Footcandles on floor or wall at center beam aiming location.
 L=Effective Visual Beam length in feet (50% of maximum footcandle level).
 W=Effective Visual Beam width in feet (50% of maximum footcandle level).
 CB=Distance across or down to center beam location.



SINGLE UNIT



0° Aiming Angle
Horizontal
Footcandle

	D	FC	L	W
FLOOD	5.0'	35	3.2	3.2
	7.5'	15	4.4	4.4
	10.0'	9	5.8	5.8
	12.5'	6	7.4	7.4
WIDE FLOOD	5.0'	26	4.2	4.2
	7.5'	12	6.2	6.2
	10.0'	7	8.3	8.3
	12.5'	4	10.3	10.3

MULTIPLE UNITS

50'x50' ROOM
10' MOUNTING HEIGHT

FLOOD	FC on Floor (avg/max)	FC at 2.5' AFF (avg/max)
Spacing		
6'x6'	12.7/16.0	13.1/18.7
8'x8'	7.2/9.1	7.4/15.2
WIDE FLOOD		
Spacing	FC on Floor (avg/max)	FC at 2.5' AFF (avg/max)
6'x6'	13.2/16.6	13.6/18.3
8'x8'	7.5/8.8	7.7/13.0
10'x10'	5.2/7.3	5.3/12.5