

PARI ARCHITECTURAL ROUND PENDANT 2

LED

PARI-2R
LED

APPLICATION:

Retail, hospitality and commercial task and decorative lighting

CONSTRUCTION:

Extruded aluminum ballast housing
Stamped aluminum top plate and components
Spun aluminum canopy, fits standard 4" octagonal j-box
Blown satin cased, etched glass
Extruded aluminum heat sink

OPTICS:

LED:
Color Temp: 2700K (2725K ±175)
3000K (3045K ±175)
CRI: 82 typ
Life: 50,000 hrs
Lumen Maintenance: >70% of initial lumens @ 50,000 hrs

MOUNTING:

Canopy mounted, 10' feed cord standard

LABELING:



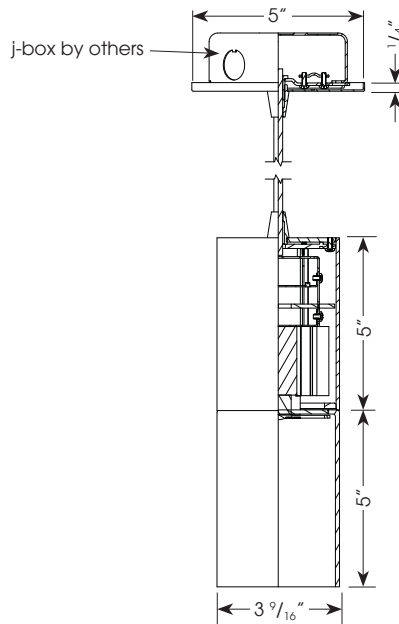
ELECTRICAL:

This product complies with IEEE C62.41 for surge endurance up to 2.5KV. Amerlux recommends using additional surge protection with this unit (supplied by others), surge damage is not covered by warranty.



PROJECT:

TYPE:




Electrostatic sensitive device, observe precautions for handling

ELECTRICAL

Driver	Operating Watts	Amps
Electronic 120v	7.4	.06

Class 2 constant current driver, 700 mA

ORDERING INFORMATION:

Model	Wattage	Lamp Type	Driver	Finish Glass	Body	Mounting	Voltage	Color Temp
PARI-2R	7	LED	E - electronic	SO - satin opal SA - satin amber	NA - brushed aluminum AMBZ - american bronze	CC - canopy/cord*	120	2700 3000

10 year limited warranty
AMERLUX LED
(see website for details)

Example: PARI-2R-7-LED-E-SO-NA-CC-120-3000

*Canopy/cord to match the body finish of the fixture

Cat #:

Amerlux reserves the right to change details that do not affect overall function and performance.

