

HORNET TRACK HEAD

LED

HORNET
15W

APPLICATION:

Accent and display lighting for retail environments

CONSTRUCTION:

Complete die-cast construction
No exposed wiring
Powder coat paint

ELECTRICAL:

Electronic constant current LED driver
120v or 277v input
Dimming down to less than 20%, available on 120v only with ELV (reverse phase) dimming equipment, consult factory for approved device list

This product complies with IEEE C62.41 for surge endurance up to 2.5KV. Amerlux recommends using additional surge protection with this unit (supplied by others), surge damage is not covered by warranty.

MOUNTING:

Track, canopy and busway

OPTICS:

0-180° tilt, 360° rotation
Available in a variety of beam spreads
LED:
Color Temp Options: 3000K (3045K ±175)
CRI: 82 typ.
Life: 50,000 hrs
Lumen Maintenance: >70% of initial lumens @ 50,000 hrs
Lumen output: Spot, 15° - 830 lm typ
Flood, 28° - 810 lm typ
Wide Flood, 45° - 815 lm typ

ACCESSORIES:

Snoot: Die-cast aluminum, 1" length, painted finish
Cross Blade: Stamped steel painted optical matte black cross blade sits in snoot which must be ordered when using cross blade

LABELING:

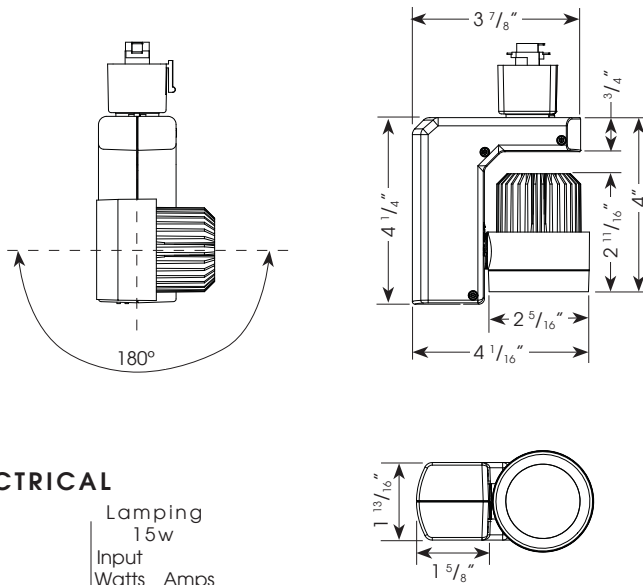


PROJECT:

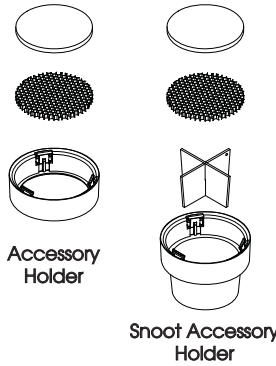
TYPE:



Electrostatic sensitive device, observe precautions for handling



Accessory Options:



ELECTRICAL

Driver	Lamping	
	Watts	Amps
Electronic	120v	.13
	277v	.05

ORDERING INFORMATION:

Model	Wattage	Lamp Type	Driver	Finish	Mounting	Voltage	Beam Spread	Color Temp	Options/Accessories
HORNET 15	15	LED	E - electronic	WT - white texture BT - black texture ST - silver texture - - (other RAL)	TN1 - Global 1cir, 120v TEK - Global 2cir/2neut, 120v TN3 - Global 3cir, 120v TN2 - Global 2cir/2neut, 277v B - busway C - canopy CCL - C-clamp - - (other)	120 277	SP - spot, 15° FL - flood, 28° WF - wide flood, 45° LS - linear spread, 60° x 10°	3000	SNAH - snoot accessory holder, 1" length, matte black interior, specify exterior color (WT, BT, ST), accepts cross blade plus 2 additional forms of media AH - accessory holder, specify finish (WT, BT, ST), accepts 2 forms of media CB - cross blade, matte black finish, requires snoot HEX - hexcell louver (1/8" x 1/8")

Example: HORNET-15-LED-E-WT-TN1-120-FL-3000

Cat #:

Amerlux reserves the right to change details that do not affect overall function and performance.



10 year limited warranty
AMERLUX LED
(see website for details)

HORNET TRACK HEAD

LED

HORNET
15W



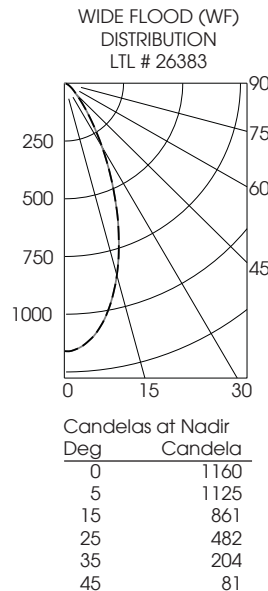
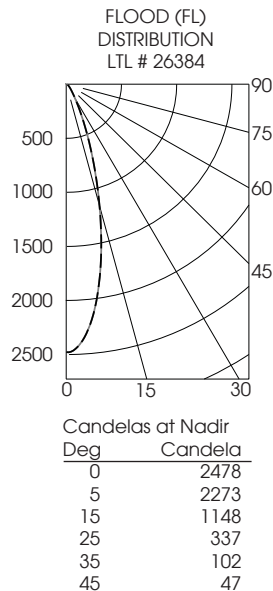
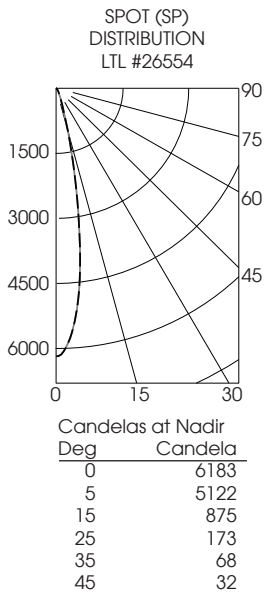
TYPE:



FIXTURE DATA:

Complete photometric data (ies format) available upon request.

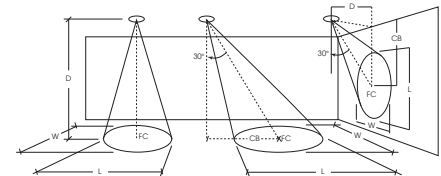
15W LED



APPLICATION DATA:

Notes and Definitions:

Beam spread is to 50% center beam candlepower (CBCP).
 D=Distance to floor or wall.
 FC=Footcandles on floor or wall at center beam aiming location.
 L=Effective Visual Beam length in feet (50% of maximum footcandle level).
 W=Effective Visual Beam width in feet (50% of maximum footcandle level).
 CB=Distance across or down to center beam location.



	0° Aiming Angle Horizontal Footcandles				30° Aiming Angle Horizontal Footcandles					30° Aiming Angle Vertical Footcandles					60° Aiming Angle Vertical Footcandles				
	D	FC	L	W	D	FC	L	W	CB	D	FC	L	W	CB	D	FC	L	W	CB
SPOT	5.0'	247	1.4	1.4	5.0'	155	2.2	1.7	3.0	3.0'	107	2.8	1.7	4.3	3.0'	443	1.3	1.1	1.7
	7.5'	110	2.5	2.5	7.5'	73	3.0	2.8	4.0	4.0'	60	3.8	2.2	5.7	4.0'	255	1.6	1.5	2.3
	10.0'	62	3.2	3.2	10.0'	41	4.0	3.5	5.0	5.0'	39	4.7	2.8	7.3	5.0'	165	2.0	1.8	2.8
	12.5'	40	3.9	3.9	12.5'	26	5.1	4.5	7.0	6.0'	27	5.6	3.3	8.8	6.0'	115	2.4	2.1	3.3
FLOOD	5.0'	99	2.5	2.5	5.0'	63	3.2	2.8	2.0	3.0'	52	3.5	2.4	3.8	3.0'	180	1.9	1.7	1.3
	7.5'	44	3.6	3.6	7.5'	30	4.5	4.0	4.0	4.0'	29	4.7	3.1	4.8	4.0'	104	2.4	2.2	1.7
	10.0'	25	4.8	4.8	10.0'	17	5.9	5.4	5.0	5.0'	19	5.9	3.9	6.3	5.0'	67	3.0	2.7	2.3
	12.5'	16	5.9	5.9	12.5'	11	7.4	6.6	6.0	6.0'	13	7.0	4.7	7.3	6.0'	47	3.6	3.2	2.8
WIDE FLOOD	5.0'	46	3.6	3.6	5.0'	34	4.1	3.8	2.0	3.0'	34	3.7	3.0	2.7	3.0'	95	2.5	2.3	1.3
	7.5'	21	5.4	5.4	7.5'	15	6.1	5.7	3.0	4.0'	19	4.9	4.0	3.8	4.0'	53	3.3	3.1	1.8
	10.0'	12	7.1	7.1	10.0'	9	8.1	7.7	4.0	5.0'	12	6.1	4.9	4.8	5.0'	34	4.1	3.9	2.2
	12.5'	7	8.9	8.9	12.5'	6	10.1	9.5	5.0	6.0'	9	7.3	6.0	5.3	6.0'	24	4.9	4.6	2.3