



ARCHITECTURAL LIGHTING FOR SUSTAINABLE DESIGN.
Today's architecture is no longer just about today. Dramatic environments have to be created without dramatically impacting the natural environment. Spaces need to be functional, inspirational, adaptable... and sustainable.

Enter Amerlux.

By designing specifically for the latest in lamp and ballast technology, Amerlux offers specification-grade luminaires that deliver unparalleled energy efficiency and uncompromising performance.

It's all part of an unwavering commitment to ecologically sensitive design and architectural styling that we call EcoTectural.

AMERLUX
Architectural lighting for sustainable design.

Amerlux, LLC • 23 Daniel Road East • Fairfield, New Jersey 07004 • T: 973.882.5010 • F: 973.882.8970 • www.amerlux.com



PROFILO
LINEAR FLUORESCENT

AMERLUX
Architectural lighting for sustainable design.

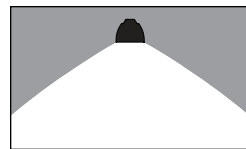


PROFILO LINEAR FLUORESCENT

Ideal for ambient, aisle and display lighting in commercial, supermarket or retail applications, Profilo is a compact linear fluorescent fixture offering the perfect combination of energy efficiency, performance and architectural styling.

Engineered around 1 or 2 compact T5 or T5 High Output linear fluorescent lamps, Profilo produces a "batwing" distribution that maximizes row spacing in open designs and achieves the high vertical illumination necessary to effectively light shelving—and merchandise—from top to bottom.

The fixture can be installed individually or in continuous rows with aircraft cable for suspension, or as a track-mounted luminaire. Profilo also comes with a semi-specular louver that reduces glare and an optional UV-reducing acrylic lens.



Symmetrical "batwing" distribution provides wide s/mh ratio.



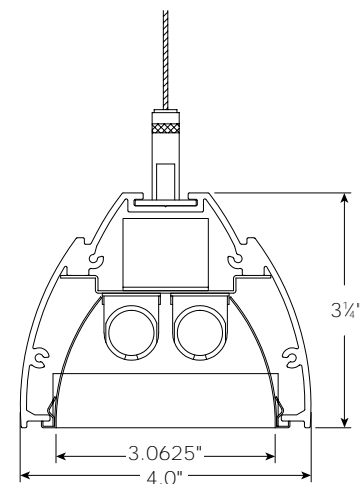
Formed, snap-in semi-specular parabolic louver with 45° cut-off minimizes glare.



Extruded aluminum construction with drawer latching system ensures clean joints in continuous row mounting applications.



Optional UV-reducing acrylic lens limits ultraviolet transmission to minimize the lighting's impact on perishable merchandise such as produce areas in supermarkets.



PROFILO TRACK AND SINGLE-POINT MOUNTED FIXTURES

Profilo is available with a track or busway mount to provide an efficient, symmetrical light distribution for retail and commercial display lighting and wall washing.



Track

Designed with a low profile to hug single-circuit track more closely, Profilo offers an unobtrusive appearance as well as a 0-60° tilt capability for added aiming flexibility.



Single-Point Mount (SM)

Engineered for use on multi-circuit track or busway systems, Single-Point Mounted Profilo luminaires feature 45° lockable tilt and 358° rotation capabilities that allow your lighting to adapt to changing displays or space configurations.

PROFILO LINEAR FLUORESCENT ORDERING GUIDE

LUMINAIRE	CATALOG NUMBERS										
	Model #	Light Dist./Shielding	Mounting	# Lamps	Wattage	Lamp Type	Finish	Length (Feet)	Voltage	Configuration	Options/Accessories
Profilo Linear	PROF	PBL(SS)	ASW	1	28	T5	WT	4	120 277	IND BOR MOR EOR	DIM LS
				2	54	T5HO		8			

CATALOG NUMBER EXAMPLE

PROF	PBL(SS)	ASW	2	54	T5HO	WT	4	120	IND	DIM
------	---------	-----	---	----	------	----	---	-----	-----	-----

Profilo Track	Model #	Wattage	Lamp Type	Ballast	Finish	Mounting	Voltage	Options/Accessories
2'	PROF	1-14 2-14	T5	E	WT BT ST	TN1	120	LS
		1-24 2-24	T5HO					
4'	PROF	1-28 2-28	T5	E	WT BT ST	TN1	120	LS
		1-54 2-54	T5HO					

CATALOG NUMBER EXAMPLE

PROF	2-24	T5HO	E	WT	TN1	120	LS
------	------	------	---	----	-----	-----	----

Profilo SM Track	Model #	Wattage	Lamp Type	Ballast	Finish	Mounting	Voltage	Options/Accessories
2'	PROF-SM	1-14 2-14	T5	E	WT BT ST	TEK TN2 TN3 C B	120 277	LS
		1-24 2-24	T5HO					
4'	PROF-SM	1-28 2-28	T5	E	WT BT ST	TEK TN2 TN3 C B	120 277	LS
		1-54 2-54	T5HO					

CATALOG NUMBER EXAMPLE

PROF-SM	1-54	T5HO	E	WT	TN3	120	LS
---------	------	------	---	----	-----	-----	----

Finishes

WT - White Texture
BT - Black Texture
ST - Silver Texture

For other finishes, please consult factory

Mounting

Linear

ASW - Aircraft Cable with Straight White Feed (3 wire)

Track

TN1 - Global 1 Circuit 120v
TEK - Global 2 Circuit/2 Neut 120v
TN2 - Global 2 Circuit/2 Neut 277v
TN3 - Global 3 Circuit 120v
C - Canopy
B - Busway

Options/Accessories

DIM - Dimming Ballast
LS - Light Shield

Ballast

E - Electronic

Configuration

IND - Individual
BOR - Beginning of Run
MOR - Middle of Run
EOR - End of Run

Light Dist./Shielding

PBL (SS) - Parabolic Louver Semi-Specular

