



---

# Hornet<sup>®</sup> HP

The ultimate compact LED powerhouse.

---

# Hornet® HP

Small. Precise. Controlled. The Hornet HP track head delivers strong, focused, dimmable beams of light with consistent color and punch. Hornet HP's technology enhancements feature top efficiency, expanded kelvin temperatures and CRI that produce true color and crisp whites. Hornet HP. Performance without limits.

**For current performance & ordering information visit us at [amerlux.com](http://amerlux.com).**

## Features & Specs

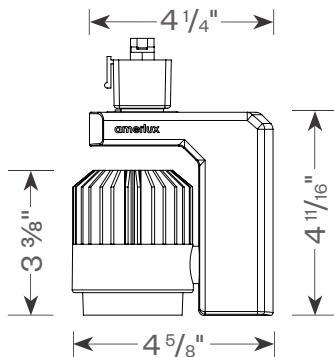
- Driver configurations: Vertical, Horizontal
- 11W, 16W, 18W
- Up to 1,369 Lm delivered
- Up to 12,215 CBCP
- Beam spreads 15° – 60°, linear spread 60° x 10°
- CrispWhite LED available
- CRI: 83 typ. (2700K, 3000K, 3500K, 4000K)  
97 typ. (2200K, 2700K, 3000K)
- Binning: 3 MacAdam
- Electronic constant current LED driver, 120V - 277V
- 0-180° tilt, 360° rotation
- Dimming: ELV & TRIAC, 120V & 277V (standard)
- Multiple track adapters available to fit variety of track
- Accessories: Snoot, Cross blade, Hexcell louver

## Models

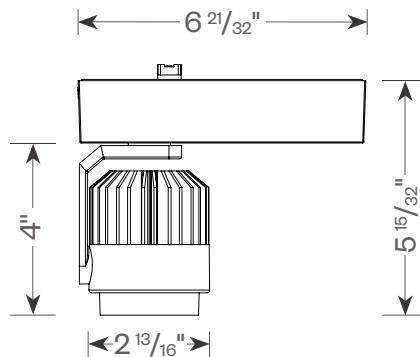
- Hornet HP (HORNET-HP-A14)
- Hornet HP Horizontal (HORNET-HP-H-A14)
- Hornet HP Surface Canopy (HORNET-HP-SC-A14)

## Related Products

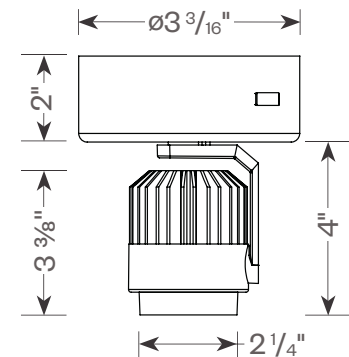
- Hornet HP Multiples
- Hornet HP 3.5" Downlights
- Hornet HP Pendant
- Hornet HP Round Surface Canopy



HORNET-HP-A14



HORNET-HP-H-A14



HORNET-HP-SC-A14



UNDER ARMOUR



Company Certifications:



3450 South Sam Houston Pkwy E, Suite 400  
Houston, TX 77047  
T: 281.997.5400 | F: 281.997.5441

**Headquarters**  
178 Bauer Drive, Oakland, NJ 07436  
T: 973.882.5010 | F: 973.882.2605  
[amerlux.com](http://amerlux.com)  
© 2016 Amerlux, LLC

Oxidated Carpark 2nd Floor  
No. 124 Donghuan Road, Donghuan Jie Panyu,  
Guangzhou P.R.C. 511400