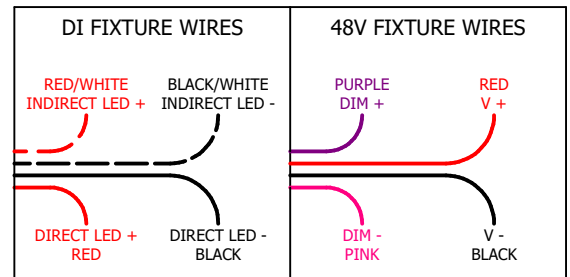
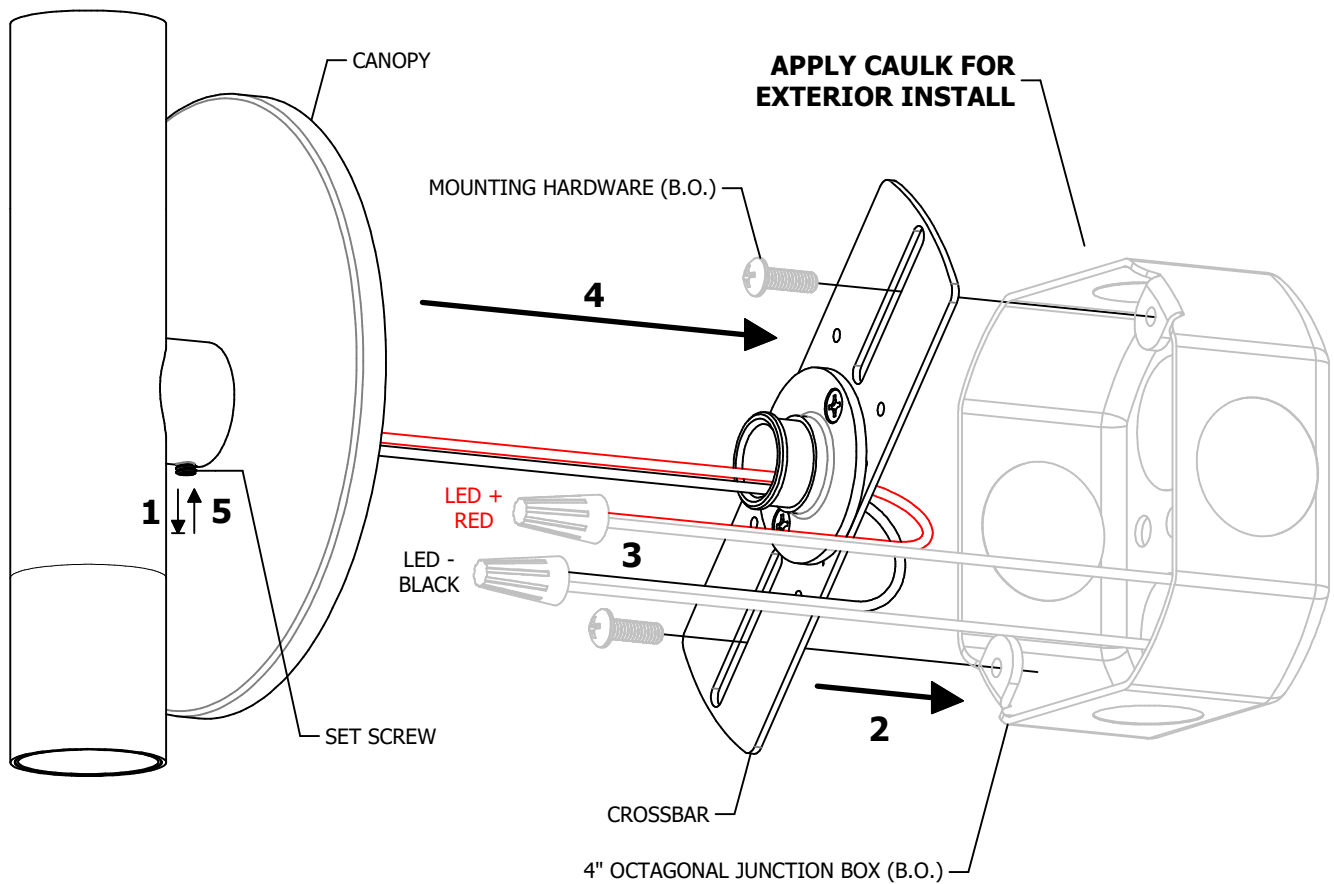


**WARNING - RISK OF FIRE AND ELECTRICAL SHOCK. FIXTURE MUST BE INSTALLED BY A QUALIFIED ELECTRICIAN ONLY. FIXTURE IS INTENDED FOR INSTALLATION IN ACCORDANCE WITH THE NATIONAL ELECTRICAL CODE, LOCAL AND FEDERAL SPECIFICATIONS. DISCONNECT POWER AT ELECTRICAL PANEL BEFORE SERVICING.**

**RETAIN THESE INSTRUCTIONS FOR MAINTENANCE REFERENCE.**

- 1** LOOSEN (DON'T REMOVE) SET SCREW TO SEPARATE CROSSBAR FROM FIXTURE
- 2** ATTACH CROSSBAR TO JUNCTION BOX (B.O.) WITH MOUNTING HARDWARE (B.O.)
- 3** FEED FIXTURE WIRES THROUGH CROSSBAR THEN SPLICE TO INCOMING WIRES
- 4** SLIDE FIXTURE OVER CROSSBAR WITH SET SCREW POINTED DOWN
- 5** ADJUST FIXTURE TILT THEN TIGHTEN SET SCREW



**Amerlux, 178 Bauer Drive, Oakland, N.J. 07436, T: 973-882-5010, F: 973-882-2604 [www.amerlux.com](http://www.amerlux.com)**