

4" EXT POLES

APRT4

APRS4

APFS4

PHILADELPH A 14

AP9202

AP9203

AP9204

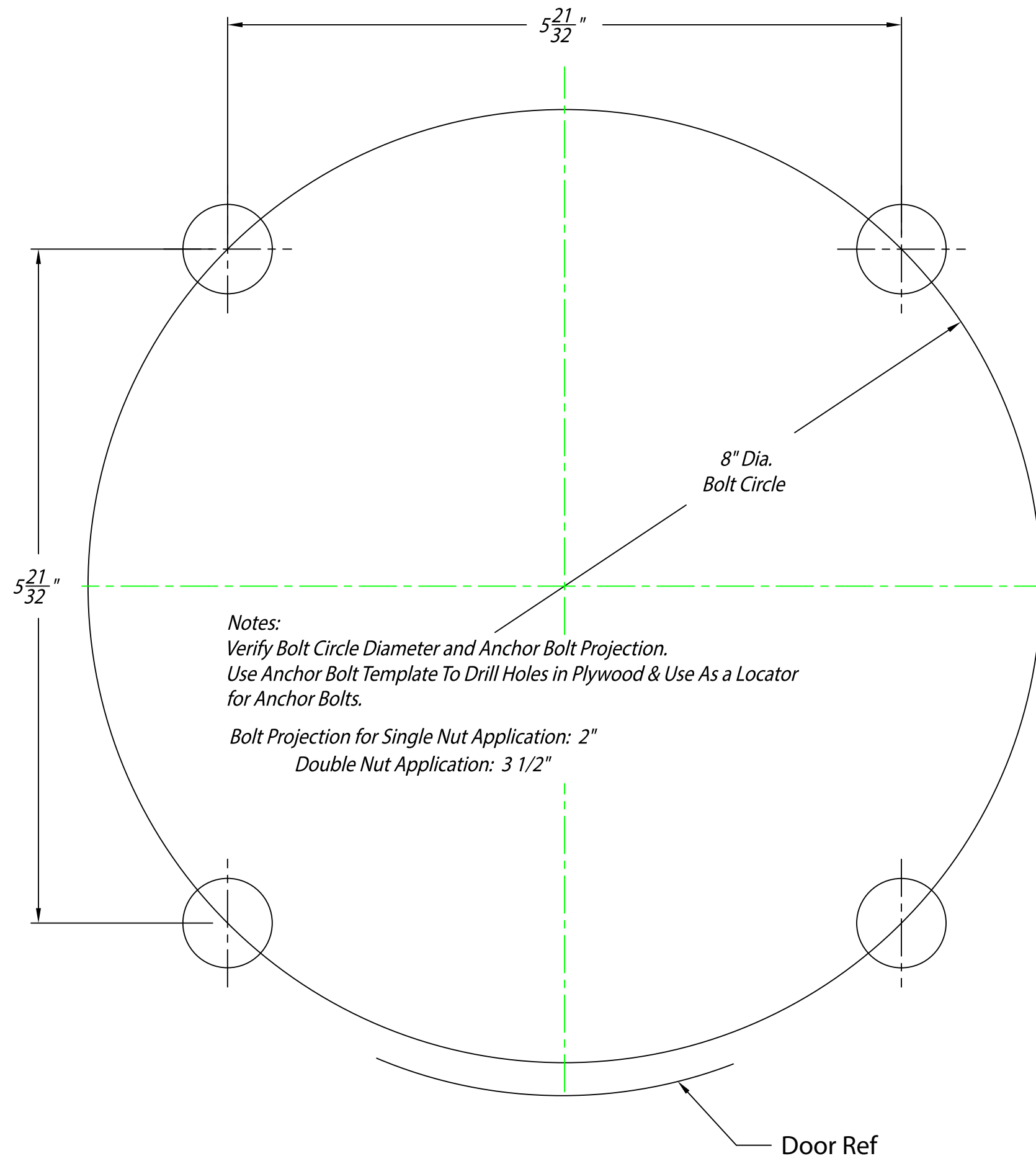
AP9205

AUSTIN

AP2602

AP2603

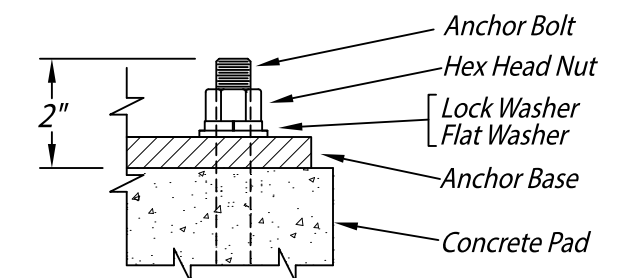
AP2604



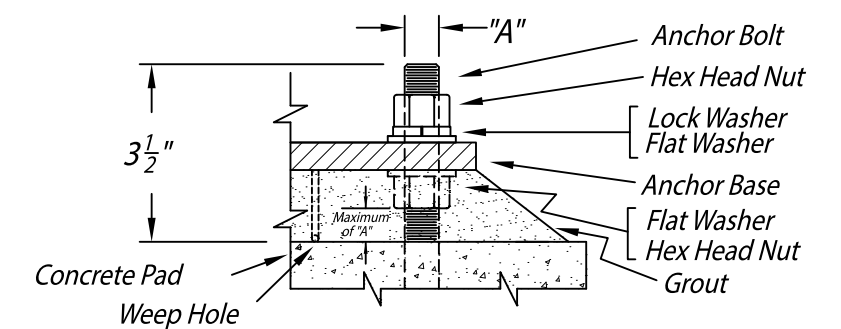
**PLEASE VERIFY MEASUREMENTS AFTER PRINTING.**

This page is designed to be Printed at 100%.  
Do not "Fit to Page" or reduce the size.  
The measurements shown should be physically checked after printing before using as a mounting template

*Bolt Projection for Single Nut Application: 2"*



*Bolt Projection for Double Nut Application: 3 1/2"*



(Ref. Hapco Dwg A13902)

Note:  
Maximum Dimension Between Bottom of Leveling Nut and Top of Concrete Pad Is One Anchor Bolt Dia.