

Philadelphia 14 Series



Features

Aluminum light poles with a decorative base, featuring a choice of extruded shafts. Accepts a wide variety of Amerlux post top luminaires.

Two piece traditional styled tapered and fluted cast aluminum base with exterior mounting plate and 14" round base.

Choice of extruded shafts (0.125 wall)

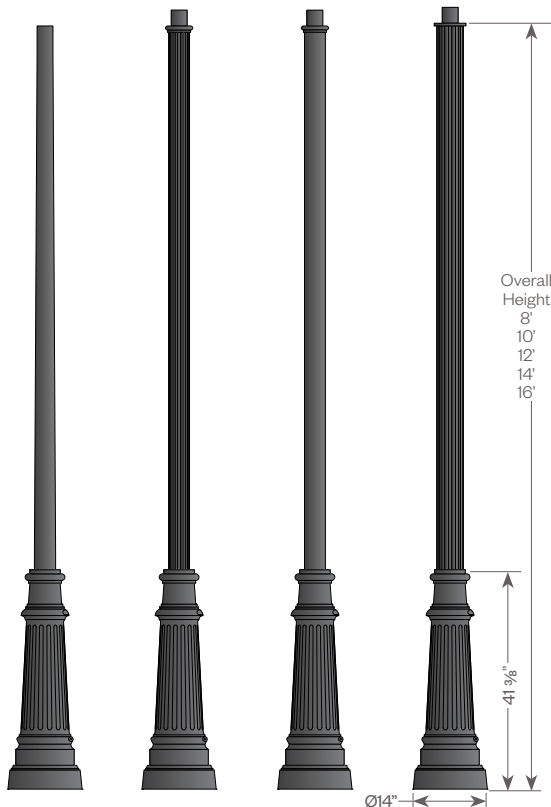
- 4" to 3" OD tapered
- 4" OD fluted (12 flutes)
- 4" OD smooth round
- 5" OD fluted (12 flutes)

A 2"x4" handhole with curved lap style aluminum door and two stainless steel self-tapping screws is standard. A grounding provision incorporating a tapped 1/4" 20NC hole is provided opposite the handhole.

Ground lug provided inside base

PROJECT:

TYPE:



AP9202.XX

AP9203.XX

AP9204.XX

AP9205.XX

See pgs 3-4 for more details.



Materials:

Base - Cast aluminum (356-T6)

Shaft - Extruded Aluminum (6063-T6)

- Tapered Aluminum (6063-T6)

Anchor Bolts - Hot dipped galvanized steel, ordered separately

Finish:

Premium quality thermoset polyester powdercoat for a durable finish.

Accessories:

- Single or double sided field rotatable banner arms
- Flag pole holder
- GFCI - covered ground fault circuit protected duplex outlet
- Direct burial extension

Philadelphia 14 Series



PROJECT:

TYPE:

Pole Ordering Information



- 1** Model
AP9202 - 4" to 3" O.D. pole, tapered 0.125 wall
AP9203 - 4" O.D. fluted pole, 0.125 wall
AP9204 - 4" O.D. smooth pole, 0.125 wall
AP9205 - 5" O.D. fluted pole, 0.125 wall

- 2** Pole Height
08 - 8'-0"
10 - 10'-0"
12 - 12'-0"
14 - 14'-0"
16 - 16'-0"

- 3** Finish
BLK - satin black
CLB - classic bronze
GBZ - gloss textured bronze
GRN - green
GTB - gloss textured black
TBK - textured black
TGR - gloss textured green
CSTM - custom, consult factory

- 4** Options/Accessories
GFCI-TOP - ground fault circuit protected outlet, placed 6" from the top of pole
GFCI-BTM - ground fault circuit protected outlet, placed 6" above the decorative base at the bottom of the pole
LT - less tenon
DB - direct burial extension

Anchor Bolt Ordering Information (Ordered separately, can be pre-shipped upon request)



- 1** Model
AP9200-555-0018 - 3/4" x 17" anchor bolts

Accessory Ordering Information (Ordered separately)



- 1** Model (all accessories below are for non-tapered shafts only)
BA18-FRC4 - 18" banner arm, 4" OD shaft
BA18-FRC5 - 18" banner arm, 5" OD shaft
BA24-FRC4 - 24" banner arm, 4" OD shaft
BA24-FRC5 - 24" banner arm, 5" OD shaft
2BA18-FRC4-180 - double sided 18" banner arms, 4" OD shaft
2BA18-FRC5-180 - double sided 18" banner arms, 5" OD shaft
2BA24-FRC4-180 - double sided 24" banner arms, 4" OD shaft
2BA24-FRC5-180 - double sided 24" banner arms, 5" OD shaft
FPH-4 - flag pole holder for 4" non-tapered poles
FPH-5 - flag pole holder for 5" non-tapered poles

Philadelphia 14 Series

PROJECT:

TYPE:



4" to 3" O.D.
Tapered 0.125 wall



4" O.D. Fluted
0.125 wall

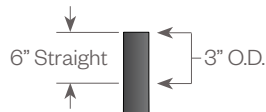


4" O.D. Smooth
0.125 wall

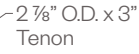


5" O.D. Fluted
0.125 wall

Shaft
Detail



6" Straight
3" O.D.



2 7/8" O.D. x 3"
Tenon

Overall
Height
8'
10'
12'
14'
16'



41 3/8"



Ø14"

AP9202.XX

AP9203.XX

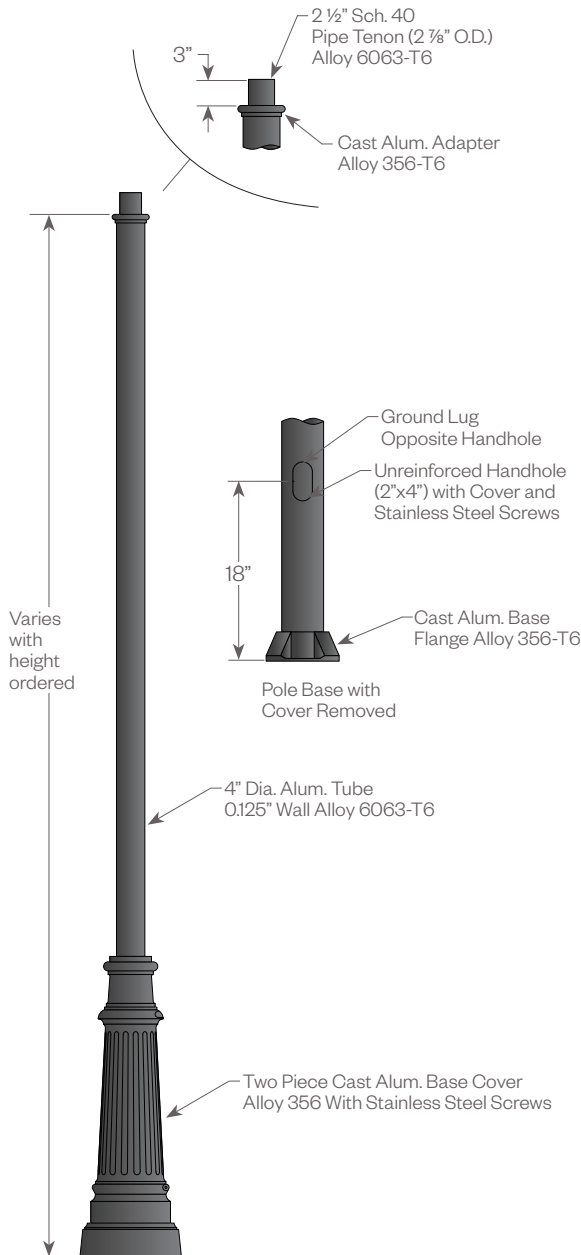
AP9204.XX

AP9205.XX

Philadelphia 14 Series

PROJECT:

TYPE:



Finish

The post will be finished with an electrostatically applied thermoset polyester powder coat. Prior to finishing, the parts are thoroughly cleaned. Our powder coat finish is durable, long lasting, attractive and scratch resistant as well as environmentally friendly. We offer 7 stock finishes or hundreds of special order colors including custom matching for existing projects (additional charges apply).

- BLK** - Satin Black
- CLB** - Classic Bronze
- GBZ** - Gloss Textured Bronze
- GRN** - Green

- GTB** - Gloss Textured Black
- TBK** - Textured Black
- TGR** - Gloss Textured Green

Accessories

Banner Arms

Single or double sided field rotatable banner arms.

BA18 (18") or **BA24** (24") banner arms

FRC4 (4"OD shaft)

Add a (2) for a double arm. Example: **2BA18-FRC4-180**

See ordering guide for configurations



FPH-4

Extruded aluminum holder for 1" OD flag poles.

Available for 4" OD non-tapered pole.

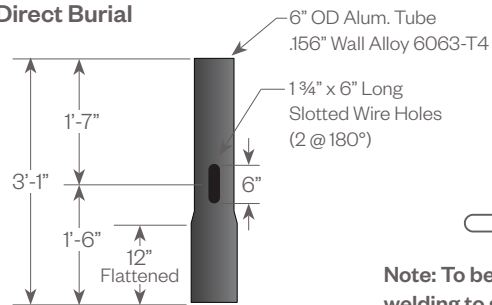


GFCI - Top/Bottom

Covered ground fault circuit protected duplex outlet.

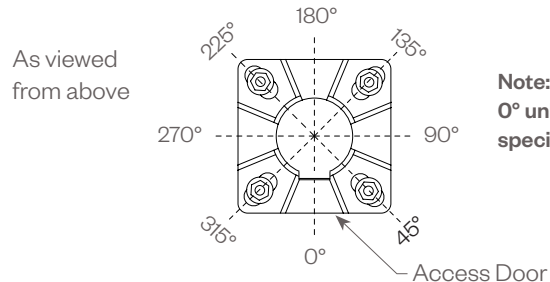
Can be placed near top of pole or above the decorative base at the bottom of the pole. Wet while in use rated.

Direct Burial



Note: To be flattened after welding to shaft assembly.

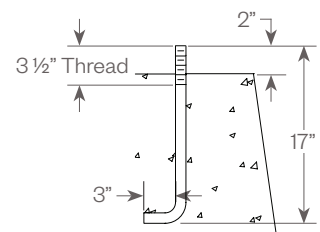
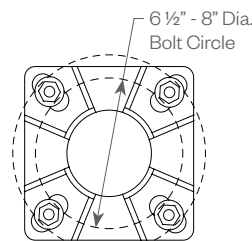
GFCI Orientation Guide



Note: GFCI placed at 0° unless otherwise specified.

Note: Orientation of additional accessories must be specified when ordering.

Anchor Details



- (4) 3/4"-10NC Galv. Stl. Anchor Bolts, AASHTO M314-90 Grade 55, Galv. Per ASTM A153.
- (4) 3/4"-10NC Galv. Stl. Hex. Nuts
- (4) 3/4" Galv. Stl. Lockwashers
- (4) 3/4" Galv. Stl. Flatwashers

Anchor bolts and templates can be requested prior to product shipment.