

# Passo CR

## 4" Soft Glow LED Recessed Wall Luminaire



PROJECT:

TYPE:

### Features

The Passo family of luminaires includes high quality, architecturally relevant fixtures suitable for use in both outdoor or indoor applications. All members of the Passo family feature an independently sealed optical chamber and fully potted driver. These features are especially beneficial in exterior applications as they help compensate for the challenges in getting a good seal between a pre-installed back box and the faceplate as well as those challenges in fully sealing the conduit system. Each luminaire is available in a choice of three output levels to help tailor the desired illuminance to the project and a standard 0-10V dimmable driver allows even further flexibility.



### Product Overview

Type: Recessed Wall Luminaire  
Wattage: up to 5.4W  
Lumen Output: up to 143 lm  
Color Temp: 2700K, 3000K, 4000K  
Dimming: 0-10V

### Certifications



### Fixture Summary

#### Application:

Designed for new construction in interior or exterior hollow walls or poured concrete.

#### Construction:

- Die-cast aluminum housing with protective powdercoat finish
- Sealed die-cast aluminum internal optical chamber
- Die-cast aluminum faceplate
- 1/8" tempered opal glass lens

#### Driver:

- Drive current (100, 175 or 350mA)
- 2.5kV surge protection
- Fully potted
- Input voltage 120V-277V auto-sensing
- 0-10V dimmable down to 10%

#### Optics:

Individually sealed optical chamber insures LEDs are secure independent of the installation of the back box.

#### Finish:

Premium quality thermoset polyester powdercoat faceplate for a durable finish.

**ETL listed, suitable for wet locations.**

# Passo CR

4" Soft Glow LED Recessed Wall Luminaire



<b>PROJECT:</b>	<b>TYPE:</b>
-----------------	--------------

**Ordering Information - Luminaire**

PCCS4 . . . . .

- 1
- 2
- 3

1	Model	2 Performance Code	3 Finish
	PCCS4	<b>L27</b> 2700K, 100mA <b>L30</b> 3000K, 100mA <b>L40</b> 4000K, 100mA <b>H27</b> 2700K, 175mA <b>H30</b> 3000K, 175mA <b>H40</b> 4000K, 175mA <b>VH27</b> 2700K, 350mA <b>VH30</b> 3000K, 350mA <b>VH40</b> 4000K, 350mA	<b>ANT</b> anthracite gray <b>BLK</b> satin black <b>CLB</b> classic bronze <b>SLV</b> silver <b>WHT</b> white <b>CSTM</b> custom

**Ordering Information - Back Box**

*Back Box must be ordered for a complete unit, ordered separately.*

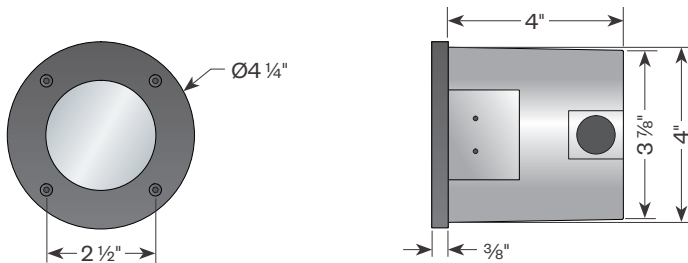
CRBX-4

- 1

1	Model
	CRBX-4

*Note: Back Box can be shipped ahead of the steplight, upon request.*

**Product Detail**



# Passo CR

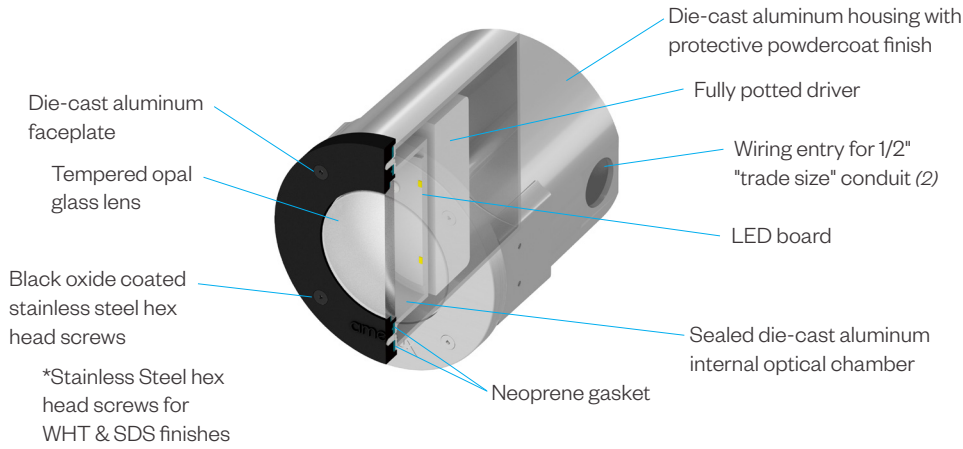
4" Soft Glow LED Recessed Wall Luminaire



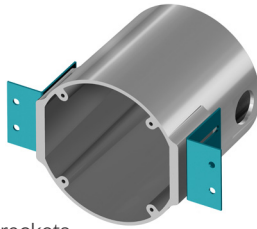
PROJECT:

TYPE:

## Construction Detail



## Application Brackets (included with order)

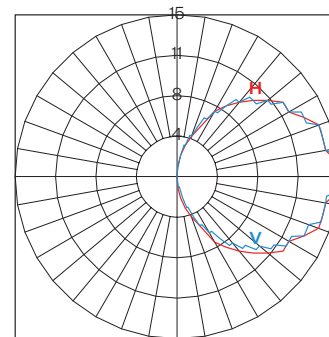


Horizontal Brackets  
(Hollow Wall)

## Performance Data

Performance Code	CCT/CRI	Approx. Lumens	Drive Current	Nominal Input Power
L27	2700K/80	40	100mA	1.5W
L30	3000K/80	42		
L40	4000K/70	46		
H27	2700K/80	70	175mA	2.7W
H30	3000K/80	74		
H40	4000K/70	81		
VH27	2700K/80	124	350mA	5.4W
VH30	3000K/80	131		
VH40	4000K/70	143		

Polar Graph



Note: IES files available on our website. For VHxx data - use Hxx IES files with a 1.77 multiplier.