

INSTRUCTION SHEET

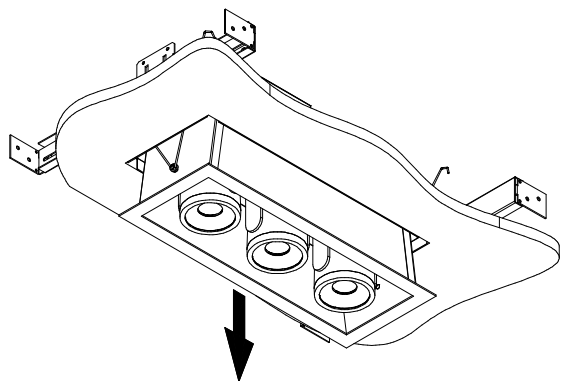
**RECESSED/SEMI-RECESSED MULTIPLES
RETROFIT INSTALLATION**

WARNING - RISK OF FIRE AND ELECTRICAL SHOCK. FIXTURE MUST BE INSTALLED BY A QUALIFIED ELECTRICIAN ONLY. FIXTURE IS INTENDED FOR INSTALLATION IN ACCORDANCE WITH THE NATIONAL ELECTRICAL CODE, LOCAL AND FEDERAL SPECIFICATIONS. DISCONNECT POWER AT ELECTRICAL PANEL BEFORE SERVICING. RETAIN THESE INSTRUCTIONS FOR MAINTENANCE REFERENCE.

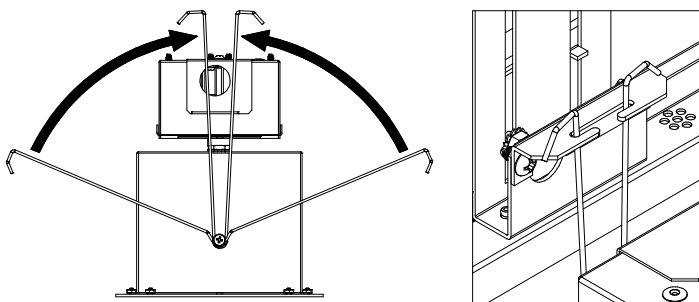
REMOVE EXISTING HOUSING

INSTALL NEW HOUSING

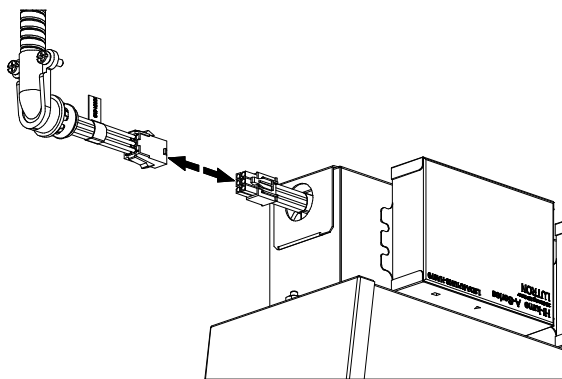
1 PULL HOUSING DOWN



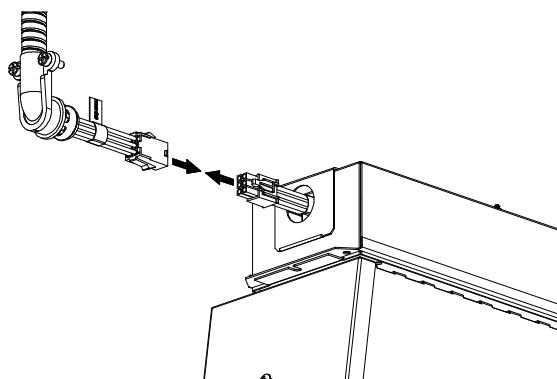
4 COMPRESS AND LOCATE SPRINGS



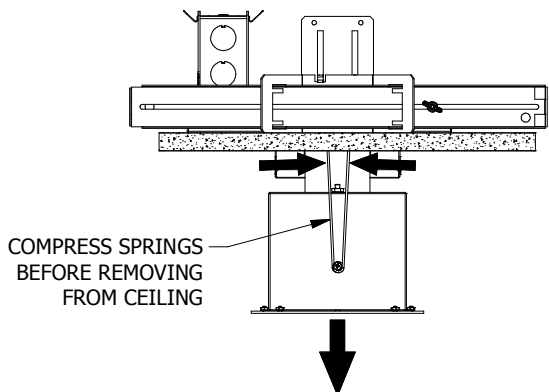
2 DISCONNECT HARNESS



5 CONNECT HARNESS



3 REMOVE HOUSING



6 PUSH HOUSING UP

