

INSTRUCTION SHEET



**P/N
689-0536**

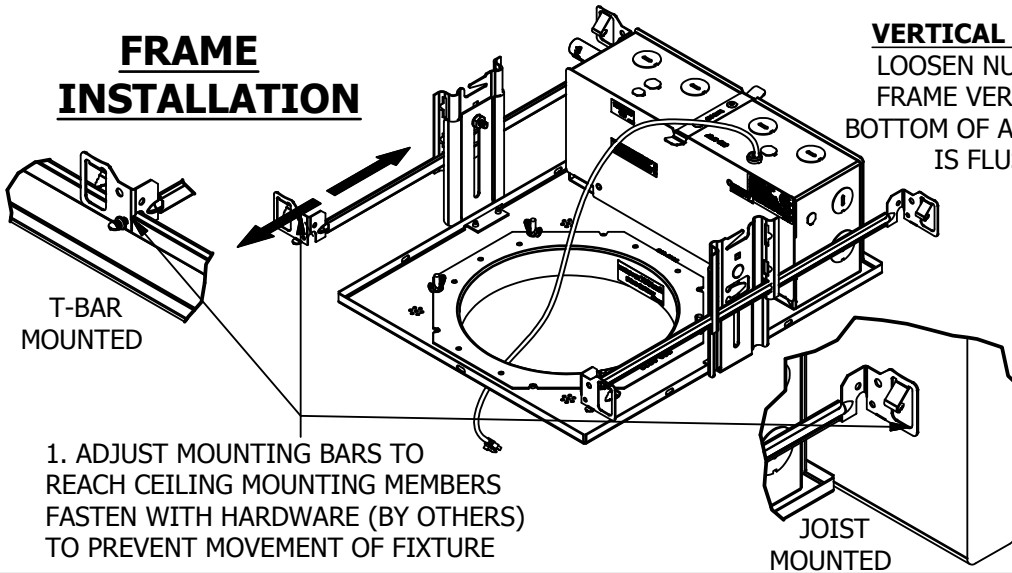
INSTALLATION OF CLASSIX PRODUCT LINE

PAGE 1 OF 1

WARNING - RISK OF FIRE AND ELECTRICAL SHOCK. FIXTURE MUST BE INSTALLED BY A QUALIFIED ELECTRICIAN ONLY. FIXTURE IS INTENDED FOR INSTALLATION IN ACCORDANCE WITH THE NATIONAL ELECTRICAL CODE, LOCAL AND FEDERAL SPECIFICATIONS. DISCONNECT POWER AT ELECTRICAL PANEL BEFORE SERVICING.

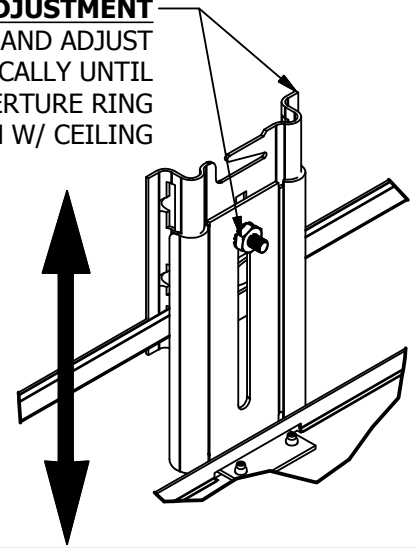
RETAIN THESE INSTRUCTIONS FOR MAINTENANCE REFERENCE.

FRAME INSTALLATION



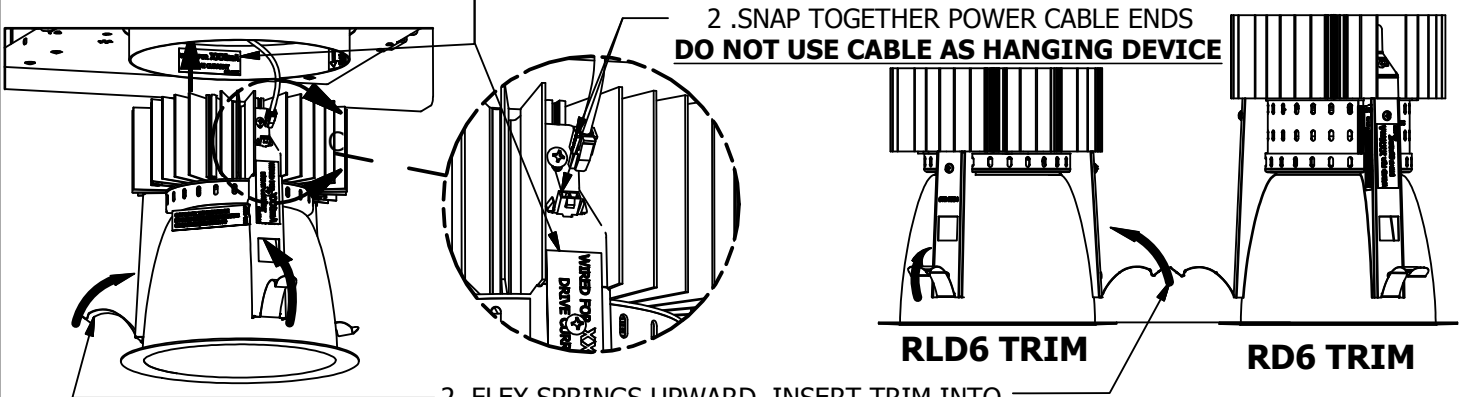
VERTICAL ADJUSTMENT

LOOSEN NUT AND ADJUST FRAME VERTICALLY UNTIL BOTTOM OF APERTURE RING IS FLUSH W/ CEILING

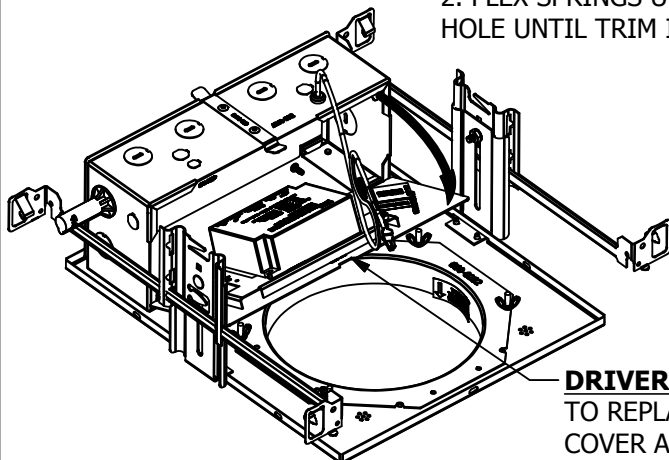


1. CHECK THE LABEL SHOWING THE DRIVER CURRENT RATING IS THE SAME ON BOTH THE FRAME AND THE TRIM.

2. SNAP TOGETHER POWER CABLE ENDS
DO NOT USE CABLE AS HANGING DEVICE

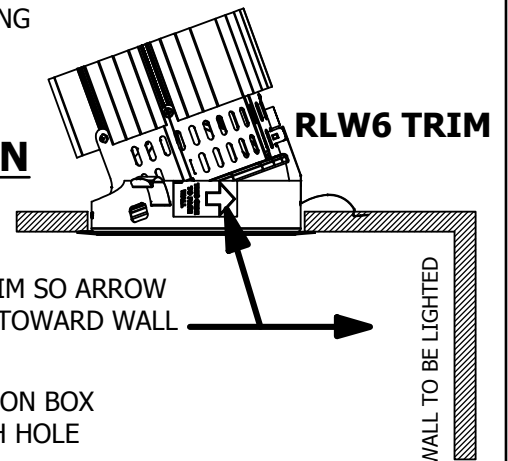


TRIM INSTALLATION



DRIVER REPLACEMENT

TO REPLACE DRIVER OPEN JUNCTION BOX COVER AND PULL DOWN THROUGH HOLE



Amerlux, 178 Bauer Drive, Oakland, N.J. 07436, T: 973-882-5010, F: 973-882-2604 www.amerlux.com