

Classix® 6" HP/HPX

6" High Power Round Lens Downlight



PROJECT:

TYPE:

Features

Expanding the Classix downlight family, the Classix High Power (HP/HPX) downlights offer a higher wattage, for those areas that need more output. With a unique Amerlux® blend of architectural form and function, Classix performs perfectly in large retail and commercial spaces. Designed for higher ceilings, this downlight features high output and a commercial grade lens.



Product Overview

Type: Recessed Round Lens Downlight
Wattage: 35W, 56W, 77W
Color Temp: 2700K, 3000K, 3500K, 4000K, 5000K
CRI: 90+ typ.
Dimming: 0-10V, 1% Dim, 120/277VAC

Certifications



Fixture Summary

Fixture Type

| Round | New Construction | Remodeler | Trim |
|-------|------------------|-----------|------|
| Yes | Yes | Yes | Yes |

Performance Data

| Watts | Delivered Lumens | LPW | Color Temp-CRI |
|-------|------------------|------|----------------|
| 35 | 3502 | 100 | 5000K-90+ |
| 56 | 5150 | 92.0 | 5000K-90+ |
| 77 | 6746 | 87.6 | 5000K-90+ |

Electrical Data

| Voltage | 35W | | 56W | | 77W | |
|---------|--------------|------|--------------|------|--------------|------|
| | System Watts | Amps | System Watts | Amps | System Watts | Amps |
| 120V | 35 | 0.29 | 56 | 0.47 | 77 | 0.64 |
| 277V | 35 | 0.13 | 56 | 0.20 | 77 | 0.28 |

Electronic constant current LED driver.

Classix® 6" HP/HPX

6" High Power Round Lens Downlight



| | |
|----------|-------|
| PROJECT: | TYPE: |
|----------|-------|

Ordering Information - Housing/Frame

| 0-10V | | | | |
|--|--|-------------------------------------|---|---|
| 1 | 2 | 3 | 4 | 5 |
| 1 Model | 2 Wattage | 3 Voltage | 4 Driver | |
| <p><u>For New Construction</u></p> <p>CLX-HP-R6-NC (New Construction, for 35W & 56W)</p> <p>CLX-HPX-R6-NC (New Construction, for 77W)</p> <p><u>For Existing Ceilings</u></p> <p>CLX-HP-R6-REM (Remodeler, for 35W & 56W)</p> <p>CLX-HPX-R6-REM (Remodeler, for 77W)</p> | <p>35</p> <p>56</p> <p>77</p> | <p>120</p> <p>277</p> | <p>0-10V 0-10V dimming, 1% dim</p> | |

| 5 Options/Accessories (New Construction Only) |
|---|
| <p>EM emergency battery pack with remote test switch (new construction only)</p> <p>HB49 hanger bars from min 29" to max 49"</p> <p><i>Note: 26" hanger bars are included as standard with new construction.</i></p> <p><i>Choose HB49 option above for larger mounting spaces only.</i></p> |

Ordering Information - Trimv

| VWF | | | |
|---|--|--|---|
| 1 | 2 | 3 | 4 |
| 1 Model | 2 Finish | 3 Beam Spread | |
| <p>CLX-HP-RLD6 (use with 35W & 56W housing)</p> <p>CLX-HPX-RLD6 (use with 77W housing)</p> | <p>SDW semi-diffuse, white flange</p> <p>SDC semi-diffuse, clear flange <i>(flange finish matches cone finish)</i></p> | <p>VWF very wide flood, 65°</p> | |
| 4 Color Temp | | | |
| <p>279 2700K-90+</p> <p>309 3000K-90+</p> <p>359 3500K-90+</p> <p>409 4000K-90+</p> <p>509 5000K-90+</p> | | | |

Classix® 6" HP/HPX

6" High Power Round Lens Downlight



PROJECT:

TYPE:

Specifications

Application

Retail, commercial and hospitality ambient lighting

Construction

20 ga. galvanized steel frame
18 ga. galvanized steel splice housing and hanger brackets
Passive cooling
Extruded aluminum heat sink

Optical

Engineered nano technology lens provides transmission while concealing LED image
Spun aluminum semi-diffuse aperture cone
Very Wide Flood batwing distribution, 65°

LED

Color Temp Options: 2700K, 3000K, 3500K, 4000K, 5000K
CRI: 90+ typ.
R9 Values: 55 (92 CRI)
Binning: 3 MacAdam (SDCM)
Life: 50,000+ hrs, > 70% of initial lumens at 50,000 hrs

Electrical

Wattage: 35W, 56W, 77W
Electronic constant current LED driver, 120/277VAC input
This product complies with IEEE C62.41 for surge endurance up to 2.5KV. Amerlux® recommends using additional surge protection with this unit (supplied by others), surge and over voltage damage is not covered under warranty.

Drivers

0-10V dimming driver
See pages 5 for more dimming information

Finish (Trim)

Wet paint

Mounting

For use in T-Grid or GB ceilings; max ceiling thickness 1"
26" Hanger bars included (*except for Remodeler versions*)
Optional **HB49** - hanger bars from min 29" to max 49" available
Consult Factory for thicker ceilings

Certifications

CSA damp as tested to UL 1598 standards
Damp location

Warranty

5 year limited warranty

Emergency Battery Pack (EM)

IOTA ILB-CP05 Emergency battery pack with remote test switch, output of 5W (*approx. 300 lumens*) for 90 minutes

Classix® 6" HP/HPX

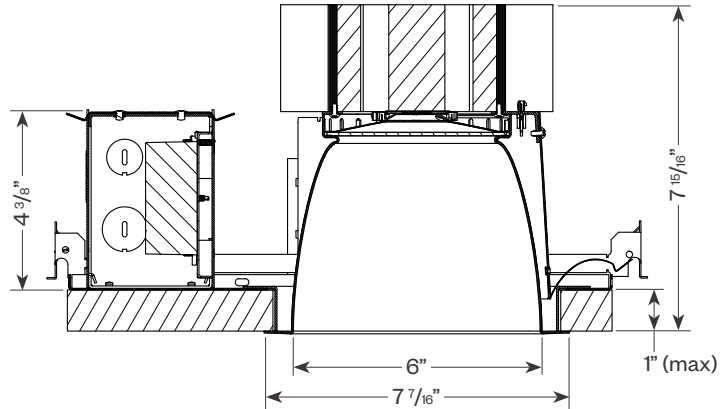
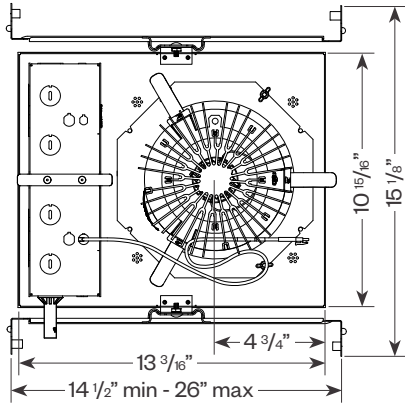
6" High Power Round Lens Downlight



PROJECT:

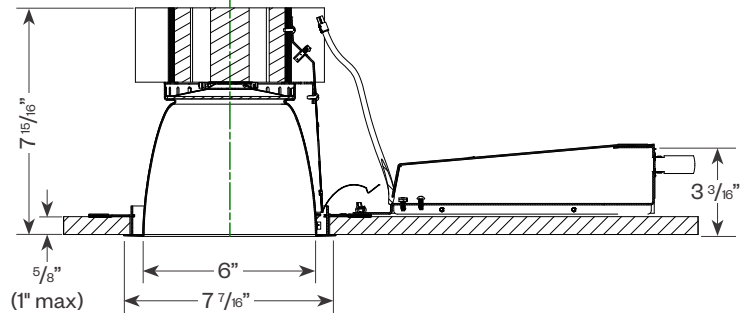
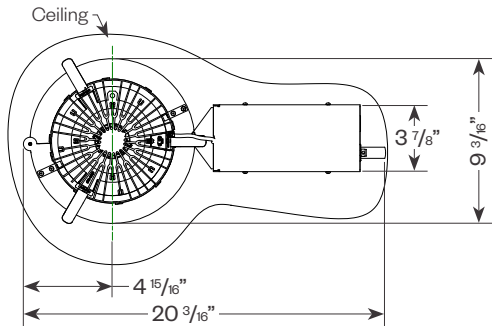
TYPE:

Product Details



Ceiling Cut Out: 7" dia.

Product Details - Remodeler



Ceiling cut out: 7" dia.

Classix Round Lens Downlight Performance Breakdown

| Wattage | Color Temp. | VWF | |
|---------|-------------|--------|-----|
| | | Lumens | LPW |
| 35W | 279 | 3327 | 95 |
| | 309 | 3467 | 99 |
| | 359 | 3502 | 100 |
| | 409 | 3537 | 101 |
| | 509 | 3502 | 100 |
| 56W | 279 | 4893 | 87 |
| | 309 | 5099 | 91 |
| | 359 | 5150 | 92 |
| | 409 | 5202 | 93 |
| | 509 | 5150 | 92 |
| 77W | 279 | 6409 | 83 |
| | 309 | 6679 | 87 |
| | 359 | 6746 | 88 |
| | 409 | 6813 | 88 |
| | 509 | 6746 | 88 |

Classix® 6" HP/HPX

6" High Power Round Lens Downlight



| | |
|-----------------|--------------|
| PROJECT: | TYPE: |
|-----------------|--------------|

Performance Data

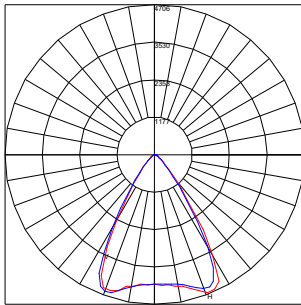
Multiplying Factors:

| | | | |
|-----------------|------------|------------|------------|
| Wattage: | 35W | 56W | 77W |
| Factor: | 0.68 | 1.0 | 1.31 |

| | | | | | |
|-------------|------------------|------------------|------------------|------------------|------------------|
| CCT: | 2700K-90+ | 3000K-90+ | 3500K-90+ | 4000K-90+ | 5000K-90+ |
| Factor: | 0.95 | 0.99 | 1.0 | 1.01 | 1.0 |

56W LED

Very Wide Flood Distribution,
Lumens: 5150



Candelas at Nadir

| Deg | Candela |
|-----|---------|
| 0 | 4079 |
| 5 | 4080 |
| 15 | 4282 |
| 25 | 4385 |
| 35 | 1769 |
| 45 | 482 |

Application Data

Notes and Definitions:

Beam spread is to 50% center beam candlepower (CBCP).

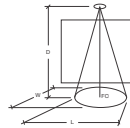
D=Distance to floor or wall.

FC=Footcandles on floor or wall at center beam aiming location.

L=Effective Visual Beam length in feet (50% of maximum footcandle level).

W=Effective Visual Beam width in feet (50% of maximum footcandle level).

CB=Distance across or down to center beam location.



0° Aiming Angle
Horizontal
Footcandles

| | D | FC | L | W |
|-----------------|-------|----|------|------|
| Very Wide Flood | 10.0' | 42 | 11.5 | 11.5 |
| | 12.0' | 29 | 13.9 | 13.9 |
| | 14.0' | 22 | 16.4 | 16.4 |
| | 16.0' | 16 | 18.5 | 18.5 |

Classix® 6" HP/HPX

6" High Power Round Lens Downlight



PROJECT:

TYPE:

Dimming Compatibility (continued)

Amerlux® Classix® fixtures are compatible with all major dimming protocols prevalent in the United States. Please see below for general compatibilities and wiring diagrams. Amerlux recommends testing your unique dimming configuration as the exact full configuration (*Dimmer, Fixture Quantity, Voltage, etc*) may affect dimming performance.

--- NOTE: INFORMATION BELOW IS FOR WIRED DIMMERS ONLY. FOR WIRELESS DIMMERS, CONSULT FACTORY ---

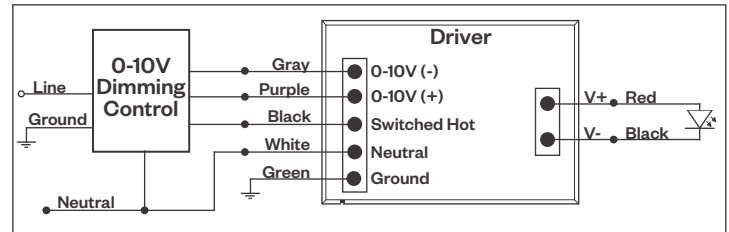
0-10V Dimming

Integrates into a variety of building management and daylighting controls

Notes:

- 120VAC or 277VAC*
- Dims down to 1% light output
- Requires interface to turn off power to driver
- Consult Dimming manufacturer for installation instructions - **DO NOT SHARE NEUTRALS!**

0-10V Wiring Diagram

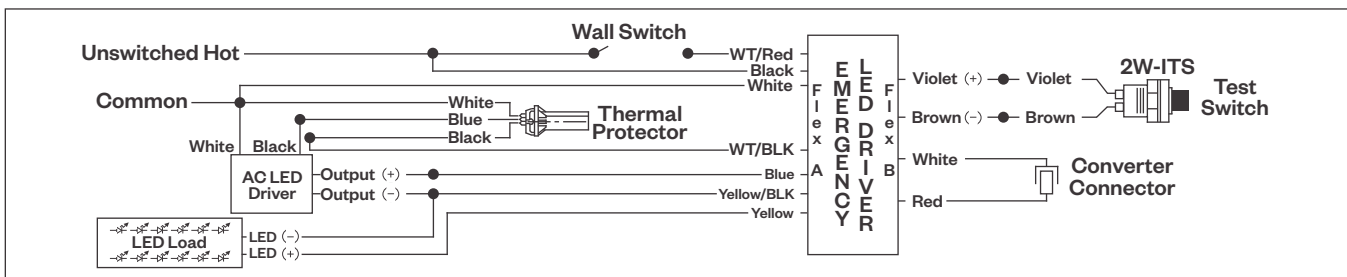


Compatible Dimmers†:

| Wall Box | | Central System |
|-----------------------|-------------------------|--|
| Lutron "Diva" - DVSTV | Leviton Renoir II 0-10V | Lutron Grafik Eye with GRX-TVI Interface |

Emergency Battery Pack

Wiring Diagram



Notes:

- * Driver is 277VAC dimmable with appropriate dimmer (by others). All provided wiring diagrams show 120VAC wiring colors and method. Please refer to 277VAC dimmer installation instructions for 277VAC wiring diagrams.
- † The absence of a dimmer from the lists above does not imply incompatibility. Please consult factory for compatibility inquiries.