

Classix® 6"

6" Round Downlight



Features

The Classix downlight shines new light on your bigger jobs. With a unique Amerlux® blend of architectural form and function, Classix performs perfectly in large retail and commercial spaces. Designed for higher ceilings, this downlight features high output, various beam options, and an optional commercial grade lens.

Product Overview

Type:	Recessed Round Downlight
Wattage:	25, 34, 45, 52
Lumen Output:	3,563 max; Lm/W (52W data)
CBCP:	19,788 max (52W data)
Color Temp:	2700K, 3000K, 3500K, 4000K, CRISP
CRI:	83 typ. (2700K, 3000K, 3500K, 4000K) 90+ typ. (2700K, 3000K)
Dimming:	CrispWhite & 3K Class A LEDs available TRIAC & ELV (120/277VAC) - 5% Dim Lutron A Series (120/277VAC), 3-wire/EcoSystem Hi-lume® - 1% dim 0-10V (120/277VAC) - 1% Dim DALI - 1% Dim

PROJECT:

TYPE:

Fixture Type

Round	New Construction	Remodeler	Trim
Yes	Yes	Yes	Yes

Performance Chart

Watts	Delivered Lumens	LPW	CBCP	Color Temp
25	1,970	79	11,136	3000K-83
34	2,530	74.4	14,049	3000K-83
45	3,207	71.2	17,809	3000K-83
52	3,563	68.5	19,788	3000K-83

Data is based on 52W 3000K-83 IES files available on website
Data is Spot optic. See pages 5-6 for other beam spreads

Electrical Data

	25W		34W		45W		52W	
	System Watts	Amps	System Watts	Amps	System Watts	Amps	System Watts	Amps
120V	25	0.21	34	0.28	45	0.38	52	0.43
277V	25	0.09	34	0.12	45	0.16	52	0.19

Electronic constant current LED driver



Classix® 6"

6" Round Downlight



PROJECT:

TYPE:

Housing/Frame Ordering Information

1	2	3	4	5
1 <u>Model</u> For New Construction CLX-R6-NC-A17† (New Construction) For Existing Ceilings CLX-R6-REM-A17† (Remodeler)	2 <u>Wattage</u> 25 34 45 52	3 <u>Voltage</u> 120 277	4 <u>Driver</u> (for non-dimming, select LE/TE option) LE/TE - TRIAC/ELV dimming 0-10V - 0-10V dimming, 1% dim DALI - DALI dimming, 1% dim (25W, 34W & 46W only)	5 <u>Options/Accessories</u> EM - emergency battery pack with remote test switch (not available for use with REM option)

Trim Ordering Information

CLX-RD6-A17			
1	2	3	4
1 <u>Model</u> CLX-RD6-A17†	2 <u>Finish</u> SDW - semi-diffuse, white flange SDC - semi-diffuse, clear flange (flange finish matches cone finish)	3 <u>Beam Spreads</u> SP - spot, 15° FL - flood, 25° WF - wide flood, 40°	4 <u>Color Temp</u> 83 CRI 90+ CRI 27 - 2700K-83 279 - 2700K-90+ CRISP - Crisp White 30 - 3000K-83 309 - 3000K-90+ 3CLA - 3K Class A 35 - 3500K-83 40 - 4000K-83

† The "A" refers to the sequential revision in a year and "XX" refers to the year of update. Updates coincide with improved performance while not changing the overall fixture aesthetic and are reflected in the published performance data. Please contact your Amerlux representative for explanations of changes.

Classix® 6"

6" Round Downlight



PROJECT:

TYPE:

Specifications

Application

Retail, commercial and hospitality ambient lighting

Construction

20 ga. galvanized steel frame
18 ga. galvanized steel splice housing and hanger brackets
(not for Remodeler version)
Passive cooling
Extruded aluminum heat sink

Optical

Spun aluminum semi-diffuse aperture cone
Spun aluminum upper reflector

LED

Color Temp Options:
2700K, 3000K, 3500K, 4000K
CRI: 83 typ. (2700K, 3000K, 3500K, 4000K)
90+ typ. (2700K, 3000K)
CrispWhite* LED available (see description below)
R9 Values: 11 (83 CRI), 55 (92 CRI)
Binning: 3 MacAdam (SDCM)
Life: 50,000+ hrs, > 70% of initial lumens at 50,000 hrs
**CrispWhite: CrispWhite Technology delivers the warmth of colors expected from a high 90 CRI solution but also creates the natural crisp white color that is pleasing to the eye. It creates the most impactful lighting ever available, by revealing the richest whites and vibrant colors that pop.*

Electrical

Wattage: 25, 34, 45, 52
Electronic constant current LED driver, 120/277VAC input
This product complies with IEEE C62.41 for surge endurance up to 2.5KV. Amerlux® recommends using additional surge protection with this unit (supplied by others), surge and over voltage damage is not covered under warranty.

Drivers

LE/TE - Leading Edge, TRIAC, forward phase/Trailing Edge, ELV, reverse phase (standard)
0-10V and DALI systems also available
See pages 7-8 for more dimming information

Finish (Trim)

Wet paint

Mounting

For use in T-grid or sheetrock ceilings
Adjustable hanger bars included (14 1/2" - 25" std.)
(32"-48" Adjustable hanger bars available, consult factory)

Certifications

CSA damp as tested to UL 1598 standards
Damp location

Warranty

5 year limited warranty

Classix® 6"

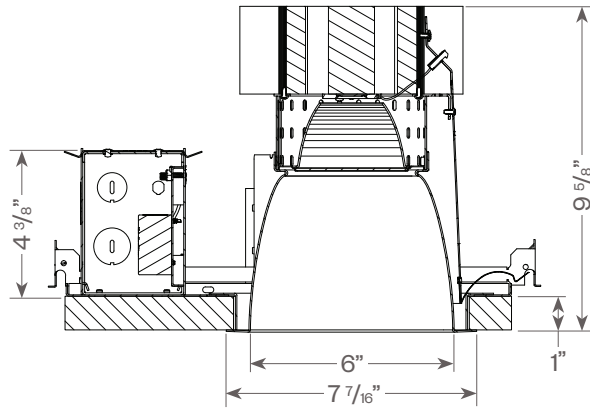
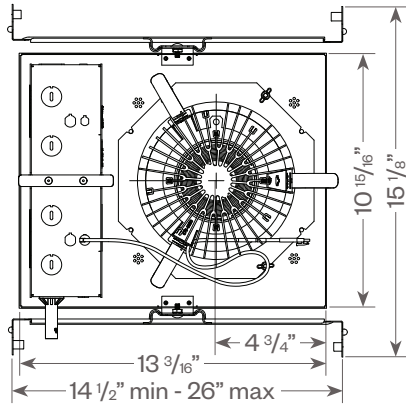
6" Round Downlight



PROJECT:

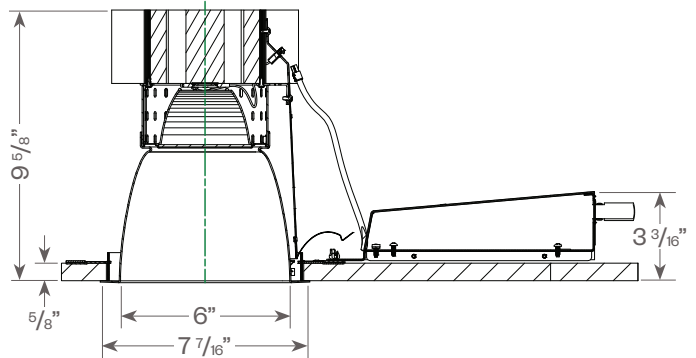
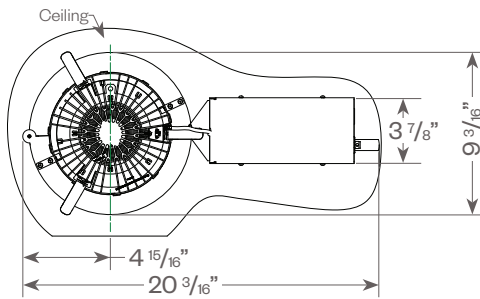
TYPE:

**Classix Round Lens Downlight:
New Construction**



Ceiling cut out: 7" dia.

Remodeler



Ceiling cut out: 7" dia.

Classix® 6"

6" Round Downlight



PROJECT:

TYPE:

FIXTURE DATA: (Complete photometric data (.ies format) available upon request)

MULTIPLYING FACTORS: (Multiplying Factor is based on 3000K-83 120V IES file on website)

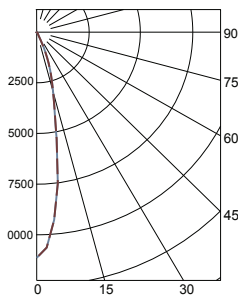
Wattage:	25W	34W	45W
Factor:	1.0	1.4	1.8

FOR 52W DATA SEE NEXT PAGE

CCT:	2700K-83	3000K-83	3500K-83	4000K-83	2700K-90+	3000K-90+	CRISP
Factor:	0.96	1.0	1.02	1.04	0.80	0.83	0.65

25W LED (3000K-83)

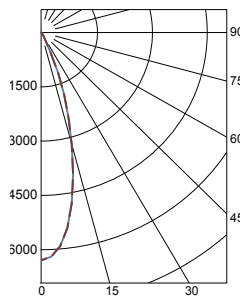
Spot Distribution
LTL #1026868
Lumens: 1,970; 79 Lm/W
CBCP: 11,136



Candelas at Nadir

Deg	Candela
0	11136
5	9304
15	2887
25	440
35	93
45	39

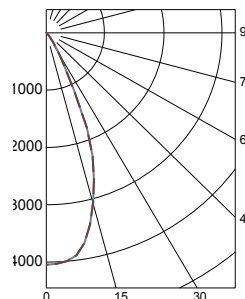
Flood Distribution
LTL #1026867
Lumens: 1,866; 74.9 Lm/W
CBCP: 6,290



Candelas at Nadir

Deg	Candela
0	6290
5	5927
15	3221
25	597
35	105
45	37

Wide Flood Distribution
LTL #1026866
Lumens: 1,951; 78.3 Lm/W
CBCP: 4,046

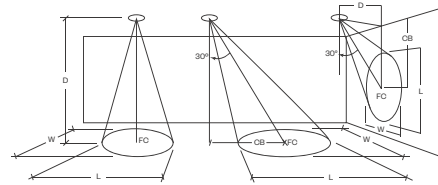


Candelas at Nadir

Deg	Candela
0	4046
5	3998
15	3060
25	1114
35	197
45	37

Application Data:

		0° Aiming Angle Horizontal Footcandles			
		D	FC	L	W
SPOT	5.0'	444	1.6	1.6	
	7.5'	198	2.7	2.7	
	10.0'	112	3.4	3.4	
	12.5'	72	4.3	4.3	
FLOOD	5.0'	252	2.6	2.6	
	7.5'	112	3.8	3.8	
	10.0'	63	5.1	5.1	
	12.5'	41	6.4	6.4	
WIDE FLOOD	5.0'	162	3.5	3.5	
	7.5'	72	5.2	5.2	
	10.0'	41	7.0	7.0	
	12.5'	26	8.7	8.7	



Notes and Definitions:

Beam spread is to 50% center beam candlepower (CBCP).

D=Distance to floor or wall.

FC=Footcandles on floor or wall at center beam aiming location.

L=Effective Visual Beam length in feet (50% of maximum footcandle level).

W=Effective Visual Beam width in feet (50% of maximum footcandle level).

CB=Distance across or down to center beam location.

Classix® 6"

6" Round Downlight



PROJECT:

TYPE:

FIXTURE DATA: (Complete photometric data (.ies format) available upon request)

MULTIPLYING FACTORS: (Multiplying Factor is based on 3000K-83 120V IES file on website)

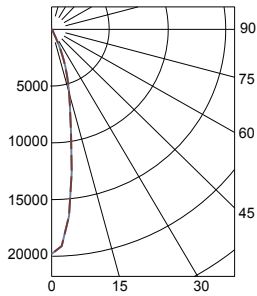
Wattage:	34W	45W	52W
Factor:	0.71	0.90	1.0

FOR 25W DATA SEE PREVIOUS PAGE

CCT:	2700K-83	3000K-83	3500K-83	4000K-83	2700K-90+	3000K-90+	CRISP	3CLA
Factor:	0.96	1.0	1.02	1.04	0.80	0.83	0.65	0.75

52W LED (3000K-83)

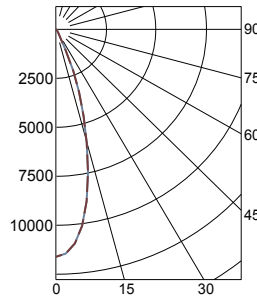
Spot Distribution
LTL #1026865
Lumens: 3,563; 68.5 Lm/W
CBCP: 19,788



Candelas at Nadir

Deg	Candela
0	19788
5	16499
15	5520
25	813
35	173
45	73

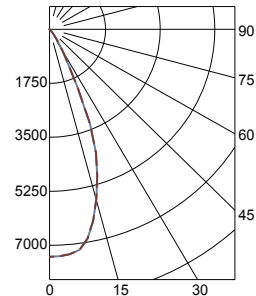
Flood Distribution
LTL #1026863
Lumens: 3,457; 66.4 Lm/W
CBCP: 11,614



Candelas at Nadir

Deg	Candela
0	11614
5	10971
15	5987
25	1089
35	193
45	68

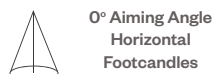
Wide Flood Distribution
LTL #1026864
Lumens: 3,607; 69.3 Lm/W
CBCP: 7,373



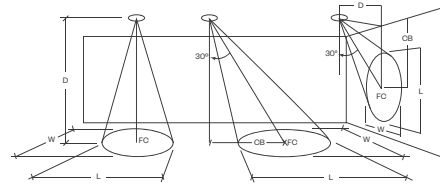
Candelas at Nadir

Deg	Candela
0	7373
5	7315
15	5677
25	2088
35	350
45	70

Application Data:



		0° Aiming Angle Horizontal Footcandles			
SPOT	D	FC	L	W	
	5.0'	790	1.6	1.6	
	7.5'	352	2.7	2.7	
	10.0'	198	3.4	3.4	
	12.5'	127	4.1	4.1	
FLOOD	D	FC	L	W	
	5.0'	465	2.6	2.6	
	7.5'	207	3.8	3.8	
	10.0'	117	5.2	5.2	
	12.5'	75	6.5	6.5	
WIDE FLOOD	D	FC	L	W	
	5.0'	296	3.5	3.5	
	7.5'	132	5.3	5.3	
	10.0'	74	7.0	7.0	
	12.5'	48	8.9	8.9	



Notes and Definitions:

Beam spread is to 50% center beam candlepower (CBCP).

D=Distance to floor or wall.

FC=Footcandles on floor or wall at center beam aiming location.

L=Effective Visual Beam length in feet (50% of maximum footcandle level).

W=Effective Visual Beam width in feet (50% of maximum footcandle level).

CB=Distance across or down to center beam location.

Classix® 6"

6" Round Downlight



PROJECT:

TYPE:

DIMMING COMPATIBILITY:

Amerlux® Classix fixtures are compatible with all major dimming protocols prevalent in the United States. Please see below for general compatibilities and wiring diagrams. Amerlux recommends testing your unique dimming configuration as the exact full configuration (Dimmer, Fixture Quantity, Voltage, etc) may affect dimming performance.

--- NOTE: INFORMATION BELOW IS FOR WIRED DIMMERS ONLY. FOR WIRELESS DIMMERS, CONSULT FACTORY ---

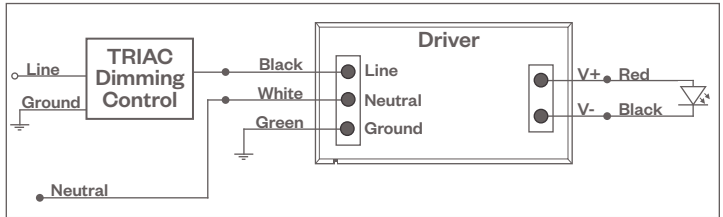
TRIAC (Forward Phase) DIMMING (Standard)

Utilizes "Standard" incandescent dimmers that are in wide use in installations across the US. Best for retrofit applications where TRIAC dimmers are installed.

Notes:

- 120VAC or 277VAC*
- Dims down to less than 5% light output (most cases)
- Consult Dimming manufacturer for installation instructions - DO NOT SHARE NEUTRALS!
- Must meet dimmer Minimum Load Requirements per dimming manufacturer

TRIAC Wiring Diagram



Compatible Dimmers†:

Wall Box (Incandescent Style, Wattage as required)		Central System
Lutron "Diva"	Lutron "Vareo"	Lutron "GP" Panel
Lutron "Nova-T"	Lutron "Skylark"	Lutron Grafik Eye QS
Lutron "Maestro"		

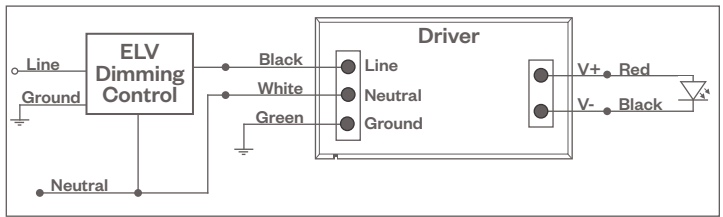
ELV - Electronic Low Voltage (Reverse Phase) DIMMING (Standard)

Utilizes specialized "ELV" dimmers.

Notes:

- 120VAC or 277VAC*
- Dims down to less than 5% light output (most cases)
- Consult Dimming manufacturer for installation instructions - DO NOT SHARE NEUTRALS!
- Must meet dimmer Minimum Load Requirements

ELV Wiring Diagram



Compatible Dimmers†:

Wall Box (ELV Style)		Central System
Lutron "Diva"	Leviton "Surslide"	Lutron "GP" Panel with PHPM-PA Interface
Lutron "Nova-T"	Leviton "Vizio"	Lutron Grafik Eye QS with PHPM-PA Interface
Lutron "Maestro"		
Lutron "Vareo"		
Lutron "Skylark"		

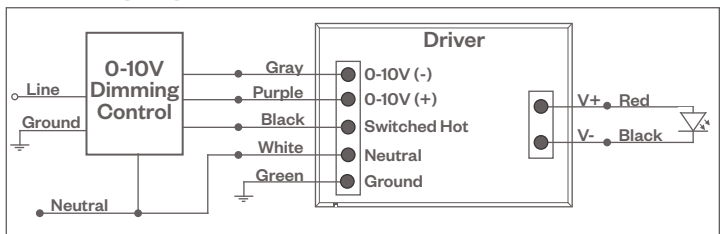
0-10V - DIMMING (-0-10V Option)

Integrates into a variety of building management and daylighting controls

Notes:

- 120VAC or 277VAC*
- Dims down to 1% light output
- Requires interface to turn off power to driver
- Consult Dimming manufacturer for installation instructions - DO NOT SHARE NEUTRALS!

0-10V Wiring Diagram



Compatible Dimmers†:

Wall Box	Central System
Lutron "Diva" - DVTV with PP-120H Interface	Leviton Renoir II 0-10V
	Lutron Grafik Eye with GRX-TVI Interface

Notes:

- * Driver is 277VAC dimmable with appropriate dimmer (by others). All provided wiring diagrams show 120VAC wiring colors and method. Please refer to 277VAC dimmer installation instructions for 277VAC wiring diagrams.
- † The absence of a dimmer from the lists above does not imply incompatibility. Please consult factory for compatibility inquiries.

Classix® 6"

6" Round Downlight



PROJECT:

TYPE:

DIMMING COMPATIBILITY:

Amerlux® Classix fixtures are compatible with all major dimming protocols prevalent in the United States. Please see below for general compatibilities and wiring diagrams. Amerlux recommends testing your unique dimming configuration as the exact full configuration (Dimmer, Fixture Quantity, Voltage, etc) may affect dimming performance.

--- NOTE: INFORMATION BELOW IS FOR WIRED DIMMERS ONLY. FOR WIRELESS DIMMERS, CONSULT FACTORY ---

DALI DIMMING (-DALI OPTION)

Digital control protocol allows individual fixture control

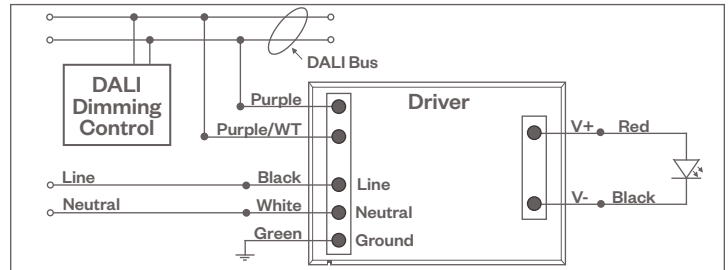
Notes:

- 120V - 277V*
- Dims down to 1% light output in most cases

Compatible Dimmers†:

Wall Box (3-Wire Fluorescent)	Central System
Leviton CD250 Controller	Dynalite Fifth Light

DALI Wiring Diagram



Notes:

- * Driver is 277VAC dimmable with appropriate dimmer (by others). All provided wiring diagrams show 120VAC wiring colors and method. Please refer to 277VAC dimmer installation instructions for 277VAC wiring diagrams.
- † The absence of a dimmer from the lists above does not imply incompatibility. Please consult factory for compatibility inquiries.