

Classix® 6" HP/HPX

6" High Power Round Lens Wall Wash



PROJECT:

TYPE:

Features

Expanding the Classix downlight family, the Classix High Power (HP/HPX) downlights offer a higher wattage, for those areas that need more output. With a unique Amerlux® blend of architectural form and function, Classix performs perfectly in large retail and commercial spaces. Designed for higher ceilings, this downlight features high output and a commercial grade lens.



Product Overview

Type: Recessed Round Wall Wash
Wattage: 35W, 56W, 77W
Color Temp: 2700K, 3000K, 3500K, 4000K, 5000K
CRI: 90+ typ.
Dimming: 0-10V, 1% Dim, 120/277VAC

Certifications



Fixture Summary

Fixture Type

Round	New Construction	Remodeler	Trim
Yes	Yes	Yes	Yes

Performance Data

Watts	Delivered Lumens	LPW	Color Temp-CRI
35	3597	102.8	5000K-90+
56	5290	94.5	5000K-90+
77	6930	90.0	5000K-90+

Electrical Data

Voltage	35W		56W		77W	
	System Watts	Amps	System Watts	Amps	System Watts	Amps
120V	36.5	0.30	57.5	0.48	78.5	0.65
277V	36.5	0.13	57.5	0.21	78.5	0.28

Electronic constant current LED driver.

Classix® 6" HP/HPX

6" High Power Round Lens Wall Wash



PROJECT:	TYPE:
----------	-------

Ordering Information - Housing/Frame

0-10V				
1	2	3	4	5
1 Model	2 Wattage	3 Voltage	4 Driver	
<p><u>For New Construction</u></p> <p>CLX-HP-R6-NC (New Construction, for 35W & 56W)</p> <p>CLX-HPX-R6-NC (New Construction, for 77W)</p> <p><u>For Existing Ceilings</u></p> <p>CLX-HP-R6-REM (Remodeler, for 35W & 56W)</p> <p>CLX-HPX-R6-REM (Remodeler, for 77W)</p>	<p>35</p> <p>56</p> <p>77</p>	<p>120</p> <p>277</p>	<p>0-10V 0-10V dimming, 1% dim</p>	
5 Options/Accessories (New Construction Only)				
<p>HB49 hanger bars from min 29" to max 49"</p> <p><i>Note: 26" hanger bars are included as standard with new construction.</i></p> <p><i>Choose HB49 option above for larger mounting spaces only.</i></p>				

Ordering Information - Trim

1	2	3
1 Model	2 Finish	3 Color Temp
<p>CLX-HP-RLW6 (use with 35W & 56W housing)</p> <p>CLX-HPX-RLW6 (use with 77W housing)</p>	<p>SDW semi-diffuse, white flange</p> <p>SDC semi-diffuse, clear flange <i>(flange finish matches cone finish)</i></p>	<p>279 2700K-90+</p> <p>309 3000K-90+</p> <p>359 3500K-90+</p> <p>409 4000K-90+</p> <p>509 5000K-90+</p>

Classix® 6" HP/HPX

6" High Power Round Lens Wall Wash



PROJECT:

TYPE:

Specifications

Application

Retail, commercial and hospitality wall wash lighting

Construction

20 ga. galvanized steel frame
18 ga. galvanized steel splice housing and hanger brackets (*not for Remodeler version*)
Passive cooling
Extruded aluminum heat sink

Optical

Engineered nano technology lens provides transmission while concealing LED image
Spun aluminum semi-diffuse aperture cone
Wall Wash beam distribution

LED

Color Temp Options: 2700K, 3000K, 3500K, 4000K, 5000K
CRI: 90+ typ.
R9 Values: 55 (*92 CRI*)
Binning: 3 MacAdam (*SDCM*)
Life: 50,000+ hrs, > 70% of initial lumens at 50,000 hrs

Electrical

Wattage: 35W, 56W, 77W
Electronic constant current LED driver, 120/277VAC input
This product complies with IEEE C62.41 for surge endurance up to 2.5KV. Amerlux® recommends using additional surge protection with this unit (supplied by others), surge and over voltage damage is not covered under warranty.

Drivers

0-10V dimming driver
See pages 5 for more dimming information

Finish (Trim)

Wet paint

Mounting

For use in T-Grid or GB ceilings; max ceiling thickness 1"
26" Hanger bars included (*except for Remodeler versions*)
Optional **HB49** - hanger bars from min 29" to max 49" available
Consult Factory for thicker ceilings

Certifications

CSA damp as tested to UL 1598 standards
Damp location

Warranty

5 year limited warranty

Classix® 6" HP/HPX

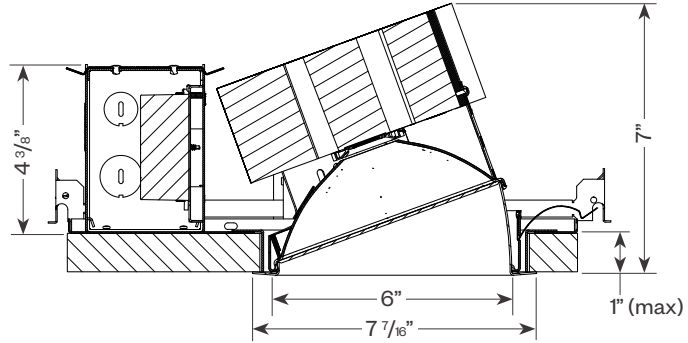
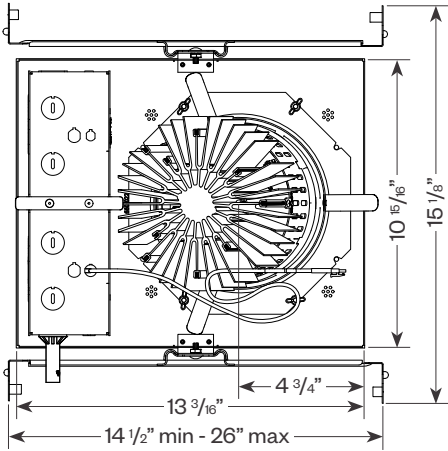
6" High Power Round Lens Wall Wash



PROJECT:

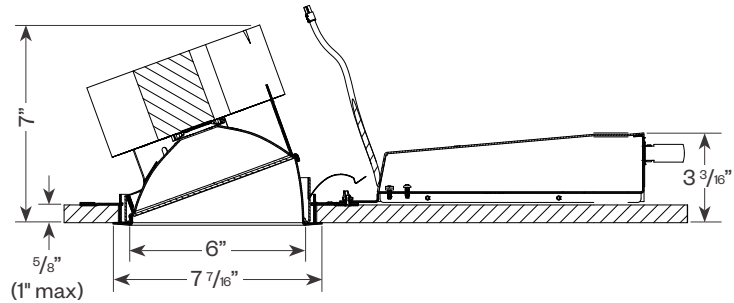
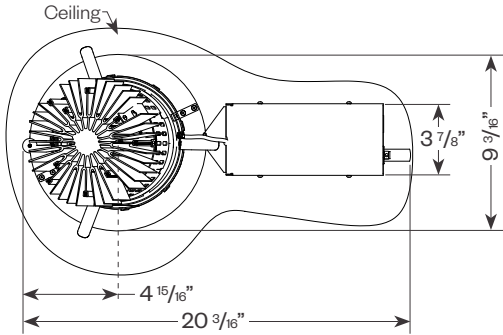
TYPE:

Product Details



Ceiling Cut Out: 7" dia.

Product Details - Remodeler



Ceiling cut out: 7" dia.

Classix® 6" HP/HPX

6" High Power Round Lens Wall Wash



PROJECT:	TYPE:
-----------------	--------------

Performance Data

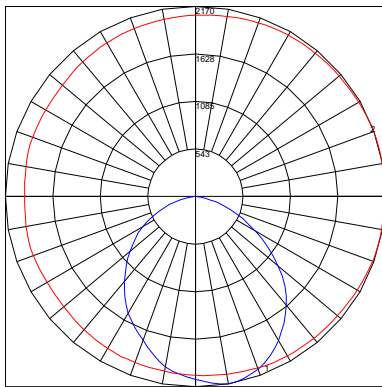
Multiplying Factors:

Wattage:	35W	56W	77W
Factor:	0.68	1.0	1.31

CCT:	2700K-90+	3000K-90+	3500K-90+	4000K-90+	5000K-90+
Factor:	0.95	0.99	1.0	1.01	1.0

56W LED

Wall Wash
Lumens: 5290



ZONAL LUMEN SUMMARY

Zone	Lumens	%Fixt
0-40	2587	48.9%
0-60	4403	83.2%
0-90	5290	100.0%
90-180	0	0.0%

Maximum Candela = 2170 Located At Horizontal Angle = 17.5, Vertical Angle = 10
1 - Vertical Plane Through Horizontal Angles (17.5 - 197.5) (Through Max. Cd.)
2 - Horizontal Cone Through Vertical Angle (10) (Through Max. Cd.)

Application Data (footcandles on wall)

Footcandles are average and rounded off. Data for multiple units are based on a minimum of five units.

4 Feet From Wall

		← 4' →				← 4' →				
Distance from ceiling	0.5'	19	19	19	19	19	19	19	19	19
	1.5'	38	38	38	38	38	37	37	37	37
	2.5'	59	59	58	59	59	58	58	58	58
	3.5'	65	66	66	66	67	67	66	65	64
	4.5'	63	63	64	64	65	64	64	63	61
	5.5'	55	57	57	57	58	57	57	56	54
	6.5'	47	48	49	49	49	49	49	48	46
	7.5'	41	42	42	42	43	42	42	41	40
	8.5'	35	36	36	37	37	36	36	36	34
	9.5'	30	31	31	32	32	31	31	30	29

Classix® 6" HP/HPX

6" High Power Round Lens Wall Wash



PROJECT:	TYPE:
-----------------	--------------

Dimming Compatibility *(continued)*

Amerlux® Classix® fixtures are compatible with all major dimming protocols prevalent in the United States. Please see below for general compatibilities and wiring diagrams. Amerlux recommends testing your unique dimming configuration as the exact full configuration (*Dimmer, Fixture Quantity, Voltage, etc*) may affect dimming performance.

--- NOTE: INFORMATION BELOW IS FOR WIRED DIMMERS ONLY. FOR WIRELESS DIMMERS, CONSULT FACTORY ---

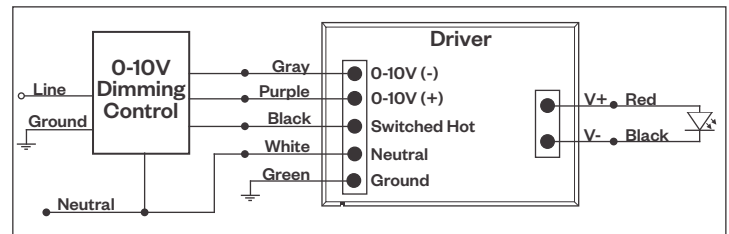
0-10V Dimming

Integrates into a variety of building management and daylighting controls

Notes:

- 120VAC or 277VAC*
- Dims down to 1% light output
- Requires interface to turn off power to driver
- Consult Dimming manufacturer for installation instructions - **DO NOT SHARE NEUTRALS!**

0-10V Wiring Diagram



Compatible Dimmers†:		
Wall Box		Central System
Lutron "Diva" - DVSTV	Leviton Renoir II 0-10V	Lutron Grafik Eye with GRX-TVI Interface

Notes:
 * Driver is 277VAC dimmable with appropriate dimmer (by others). All provided wiring diagrams show 120VAC wiring colors and method. Please refer to 277VAC dimmer installation instructions for 277VAC wiring diagrams.
 † The absence of a dimmer from the lists above does not imply incompatibility. Please consult factory for compatibility inquiries.