

PROJECT:

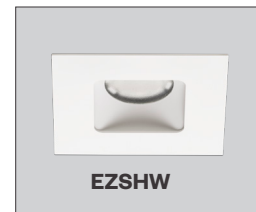
TYPE:

Features

Essenza LED Downlights are designed to deliver the features required for your Hotel and Residential High Rise or Commercial projects. Available with 12W or 18W LED modules, and centered around the outputs of traditional MR-16's, the Essenza is perfect for your lighting needs in these areas. The shallow frame (*only 3-1/8" plenum depth*) is universal to accept either round or square (*standard*) trims. Trims available include Downlight, Adjustable Accent, Wall Wash and Lensed Shower trims, giving designers the ability to complete any design scheme.

Product Overview

Type: Recessed Square Downlight, Accent, Wall Wash
Wattage: 12W, 18W
Color Temp: 2200K, 2700K, 3000K, 3500K, 4000K
CRI: 83 typ. (2700K, 3000K, 3500K, 4000K)
 90+ typ. (2200K, 2700K, 3000K, 3500K, 4000K)
 CrispWhite & 3K Class A LEDs available
Dimming: TRIAC & ELV, 5% Dim, 120/277VAC
 Lutron LDE1 Hi-lume® 1% Soft-On/Fade-to-Black, 120/277VAC
 0-10V, 1% Dim, 120/277VAC
 DALI, 1% Dim, 120/277VAC



Certifications



Fixture Summary

Fixture Type

Round/Square	New Construction	Trim	Trimless
Yes	Yes	Yes	Yes

See separate spec sheet for Round trim.

Performance Data

83 CRI				90+ CRI		
Watts	Delivered Lumens	LPW	Color Temp-CRI	Delivered Lumens	LPW	Color Temp-CRI
12	1284	102.4	3000K-83	1074	85.7	3000K-90+
18*	1548	87.3	3000K-83	1295	71.94	3000K-90+

Data is EZSD Spot optic. See pages 6-9 for other beam spreads.

*18W Includes thermal protector, 2W power consumption.

Electrical Data

12W			18W*	
Voltage	System Watts	Amps	System Watts	Amps
120V	12	0.10	18	0.15
277V	12	0.04	18	0.06

Electronic constant current LED driver.

*18W Includes thermal protector, 2W power consumption.

PROJECT:

TYPE:

Ordering Information - Housing/Frame

1	2	3	4	5	6
1 Model <u>For New Construction</u> EZ-NC-A17 (New Construction) EZ-CP-A17 (Chicago Plenum, 12W only) EZ-IC-A17 (Insulated Ceiling/air tight, 12W only) <u>For Existing Ceilings</u> EZ-REM-A17 (Remodeler)	2 Style T - trimmed STL - square trimless	3 Wattage 12 18 (not available for use with CP or IC housing)	4 Voltage 120 277 120/277 (for use with IC housing only)	5 Driver (for non-dimming, select LE/TE option) LE/TE TRIAC/ELV dimming, 5% dim HILUME-H-ECO Lutron LDE1 Hi-lume® 1% dim Soft-On/Fade-to-Black 0-10V 0-10V dimming; 1% dim DALI DALI dimming; 1% dim	6 Options/Accessories EM integral emergency battery pack with remote test switch, requires 7" ceiling clearance (not available for use with CP, IC or REM options) HB49 hanger bars from min 29" to max 49" (not available for use with REM option) <i>Note: 26" hanger bars are included as standard. Choose HB49 option above for larger mounting spaces only.</i>

Ordering Information - Trim

1	2	3	4	5
1 Model EZSD-A17 (downlight) EZSA-A17 (adjustable) EZSLW-A17 (wall wash) EZSSHW-A17 (shower, not available for use in trimless) EZSPD-A17 (pinhole downlight)	2 Style T - trimmed TL - trimless (not available for shower (EZSSHW) trim)	3 Finish <u>SD/SA/SLW/SSHW trims</u> <u>Trimmed</u> <u>Trimless</u> MWW matte white, white flange MW matte white <u>SPD trim (Trimmed & Trimless)</u> MW matte white	4 Beam Spread (not for use with EZSLW trim) SP spot, 15° FL flood, 28° WF wide flood, 45° (not recommended for use with EZSPD trim) VWF very wide flood, 60° (not recommended for use with EZSPD trim)	5 Color Temp 83 CRI 90+ CRI 27 2700K-83 229 2200K-90+ CRISP CrispWhite 30 3000K-83 279 2700K-90+ 3CLA 3K Class A 35 3500K-83 309 3000K-90+ 40 4000K-83 359 3500K-90+ 409 4000K-90+

PROJECT:

TYPE:

Specifications

Application

Hospitality, retail and commercial ambient, accent and wall wash lighting

Construction

20 ga. galvanized steel frame

18 ga. galvanized steel splice housing and hanger brackets (*not for use with Remodeler version*)

Cast aluminum plaster frame with perforated face (*for trimless version only*)

Die-cast optical housing, trim and heatsink

Optical

For SD/SA/SSHWS/SPD

Beam Spreads: Spot, 15°; Flood, 28°; Wide Flood, 45°;

Very Wide Flood, 60°

For SA

Tilt: 0-30° tilt lock, 355° rotation

For SLW/SSHWS

SLW fixture: Engineered nano technology lens provides high transmission while concealing LED image

SSHWS fixture: Siliconed solite lens

LED

Color Temp Options: 2200K, 2700K, 3000K, 3500K, 4000K

CRI: 83 typ. (2700K, 3000K, 3500K, 4000K)

90+ typ. (2200K, 2700K, 3000K, 3500K, 4000K)

CrispWhite* and Class A** 3000K (*high CRI, high gamut*) available

R9 Values: 11 (83 CRI), 55 (92 CRI)

Binning: 3 MacAdam (SDCM)

Life: 50,000+ hrs, > 70% of initial lumens at 50,000 hrs

* *CrispWhite: CrispWhite Technology delivers the warmth of colors expected from a high 90 CRI solution but also creates the natural crisp white color that is pleasing to the eye. It creates the most impactful lighting ever available, by revealing the richest whites and vibrant colors that pop.*

** *Class A LED: Class A LED's have a CRI > 80 and a GAI > 80. CRI defines color "Naturalness" and GAI defines color "Saturation." Both being high delivers rich colors and pure whites.*

Electrical

Wattage: 12W, 18W

Electronic constant current LED driver, 120/277VAC input

This product complies with IEEE C62.41 for surge endurance up to 2.5KV. Amerlux® recommends using additional surge protection with this unit (supplied by others), surge and over voltage damage is not covered under warranty.

Note: Drivers are universal but thermal protector is voltage specific

Drivers

LE/TE - Leading Edge (*Triac, Forward Phase*) or Trailing Edge (*ELV, Reverse Phase*)

0-10V, Lutron and DALI systems also available

See pages 13-14 for more dimming information

Finish

Powder coat paint

Consult factory for custom finishes

Mounting

26" Hanger bars included (*except for Remodeler versions*)

Optional HB49 - hanger bars from min 29" to max 49" available

Trimmed Fixture

For use in grid or sheetrock ceilings, max ceiling thickness 1"

Trimless Fixture

For use in sheetrock ceilings, max ceiling thickness 5/8"

Certifications

CSA approved to UL standards

Damp location

Wet location (*with shower trim*)

Chicago Plenum (CCEA) option (*12W only*)

IC/AT rated option (*12W only*)

Warranty

5 year limited warranty

Emergency Battery Pack (EM)

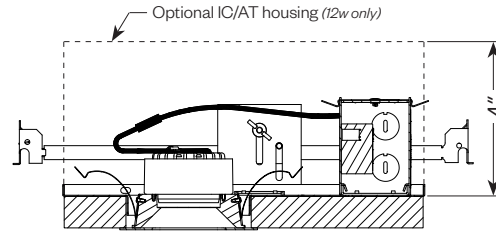
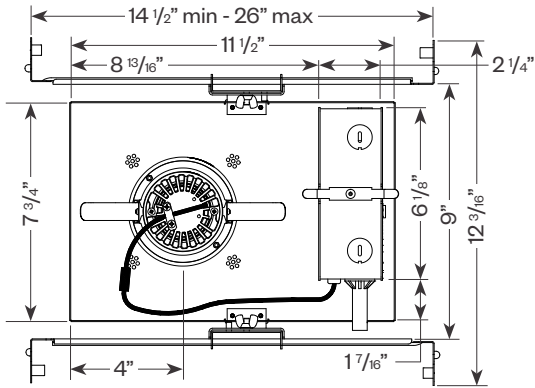
Powers fixture at 5.1 watts (*approx. 400 Lm*) for 90 minutes (*not for use with REM, CP or IC/AT versions*)

See page 15 for wiring schematic

PROJECT:

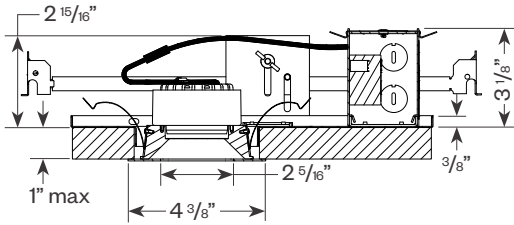
TYPE:

Product Details - Trimmed

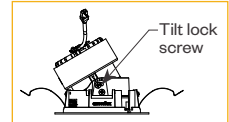
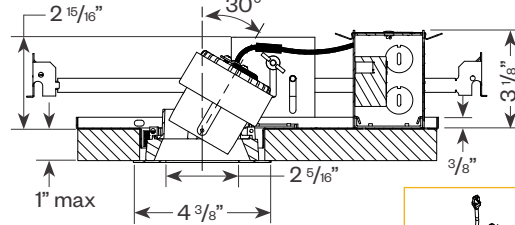


Ceiling Cut Out: 4" sq.

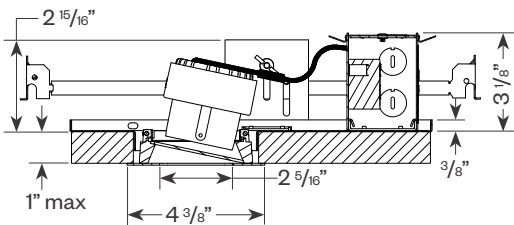
Downlight



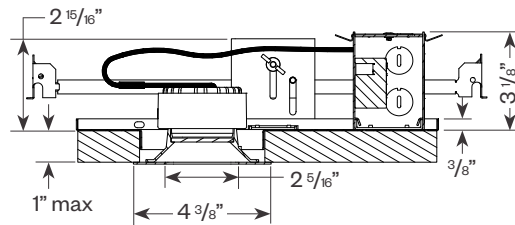
Adjustable



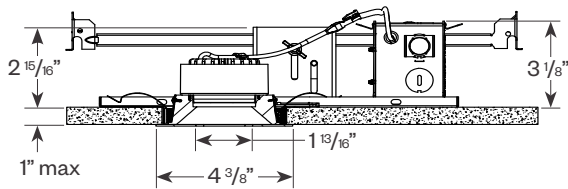
Lens Wall Wash



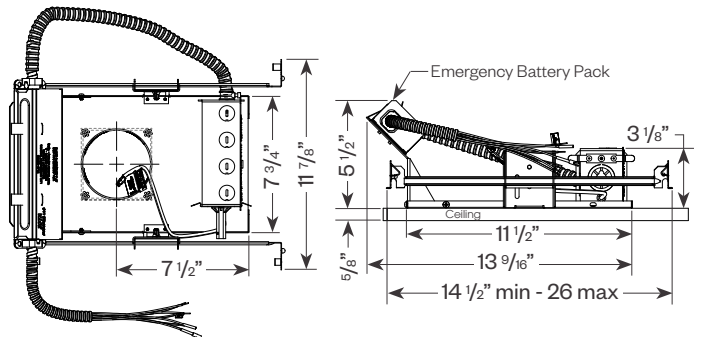
Shower



Pinhole Downlight



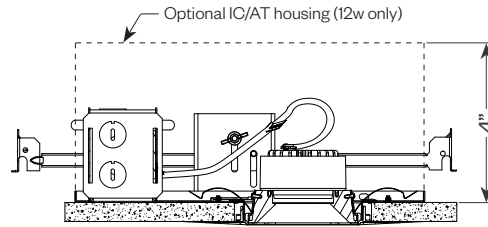
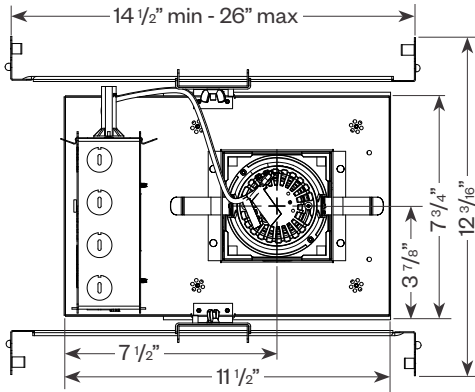
Frame with Emergency Battery Pack



PROJECT:

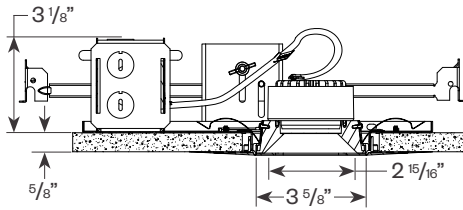
TYPE:

Product Details - Trimless

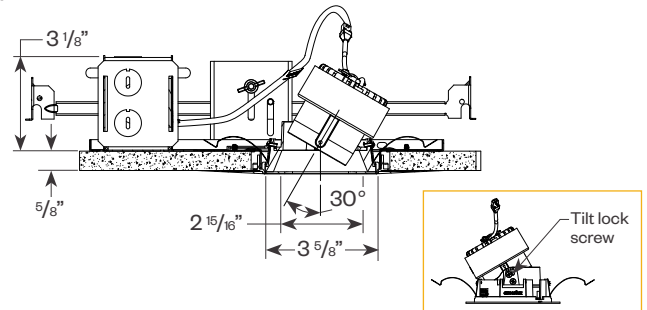


Trimless Ceiling Cut Out: 4 1/2"sq.

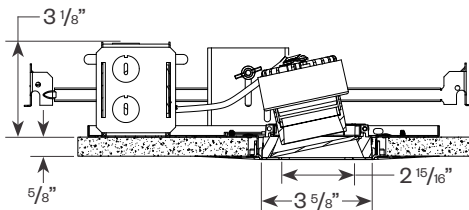
Downlight



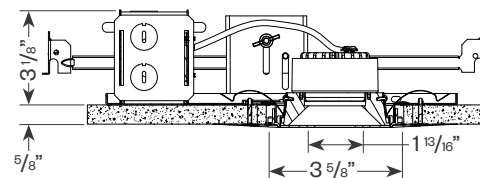
Adjustable



Lens Wall Wash

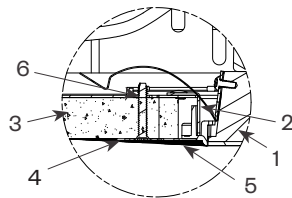


Pinhole Downlight

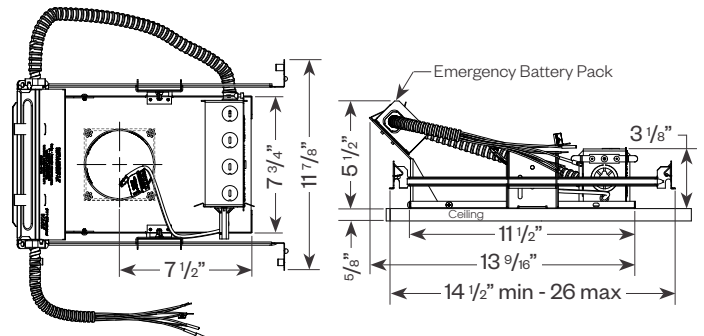


Plaster Frame Installation Detail (for trimless fixture only)

1. Reflector Trim
2. Aperture Plate
3. Ceiling 5/8"
4. Cast Aluminum Plaster Frame
5. Plaster Skim Coat (by others)
6. 6-32 Type F Thread Cutting Screw



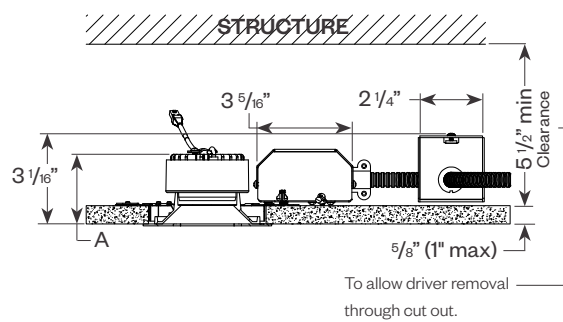
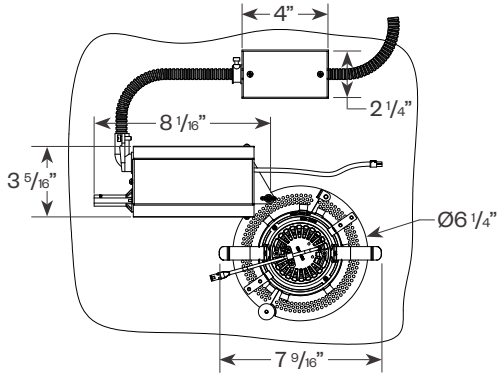
Frame with Emergency Battery Pack



PROJECT:

TYPE:

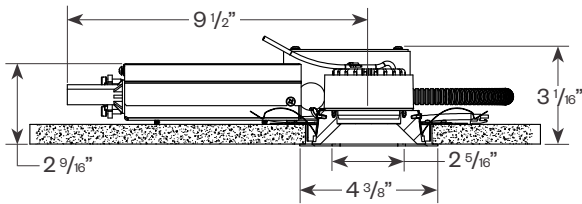
Product Details - Remodeler Trimmed



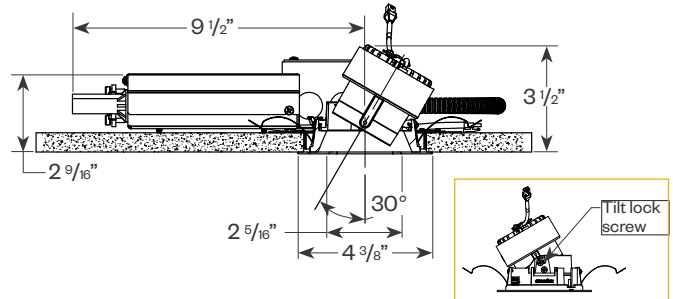
Product	A
EZSD-REM	2 9/8"
EZSA-REM	3 3/16"
EZSLW-REM	3 5/16"
EZSSHW-REM	2 9/8"
EZSPD-REM	2 9/8"

Ceiling Cut Out: 4" sq.

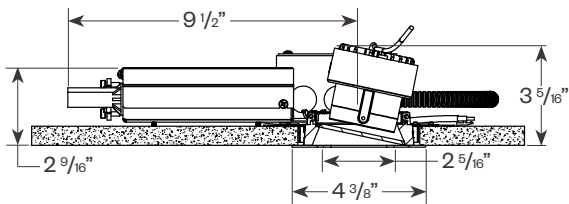
Downlight



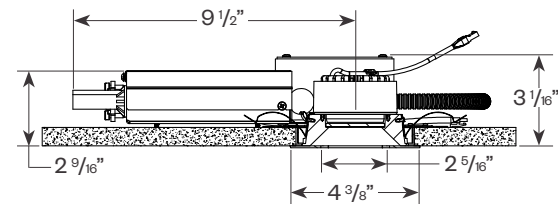
Adjustable



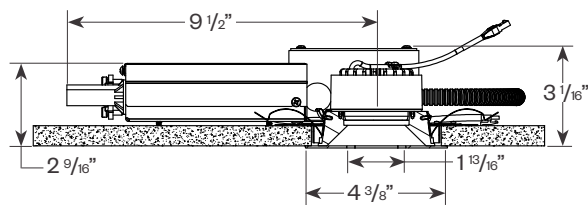
Lens Wall Wash



Shower



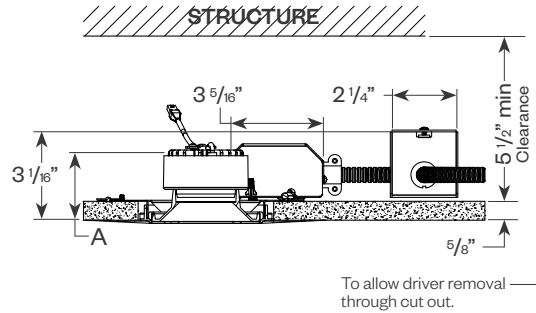
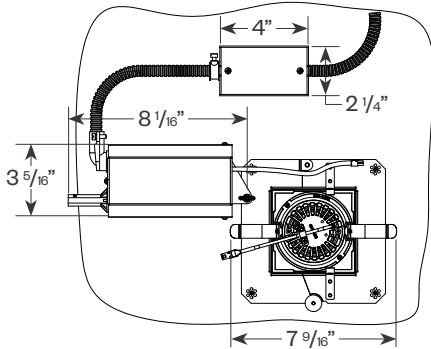
Pinhole Downlight



PROJECT:

TYPE:

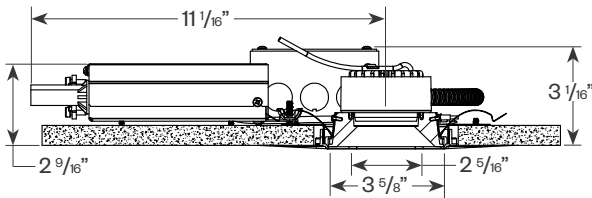
Product Details - Remodeler Trimless



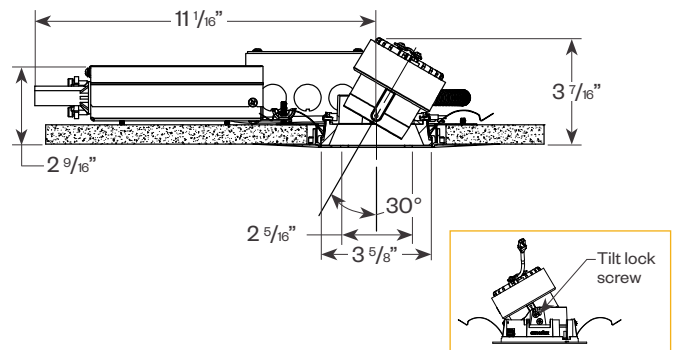
Product	A
EZSRD-REM-TL	2 5/16"
EZSA-REM-TL	3 3/16"
EZSLW-REM-TL	3 1/4"
EZSPD-REM-TL	2 5/16"

Trimless Ceiling Cut Out: 4 1/2" sq.

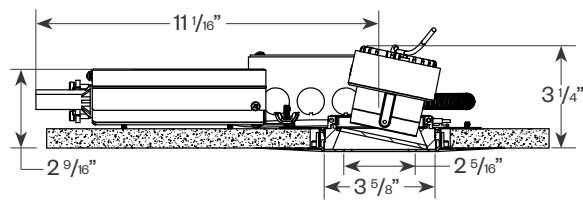
Downlight



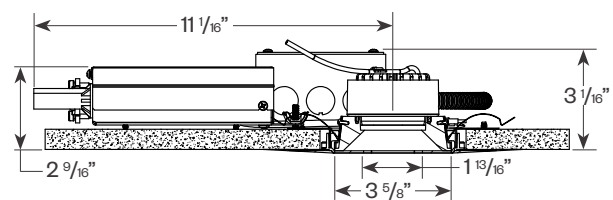
Adjustable



Lens Wall Wash

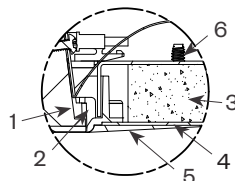


Pinhole Downlight



Plaster Frame Installation Detail (for trimless fixture only)

1. Reflector Trim
2. Aperture Plate
3. Ceiling 5/8"
4. Cast Aluminum Plaster Frame
5. Plaster Skim Coat (by others)
6. 6-32 Type F Thread Cutting Screw



PROJECT:

TYPE:

Performance Data - Square Downlight (EZSD)

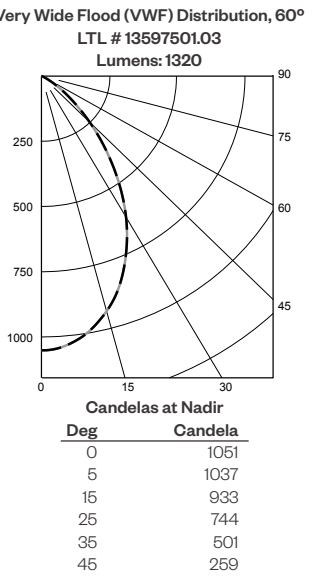
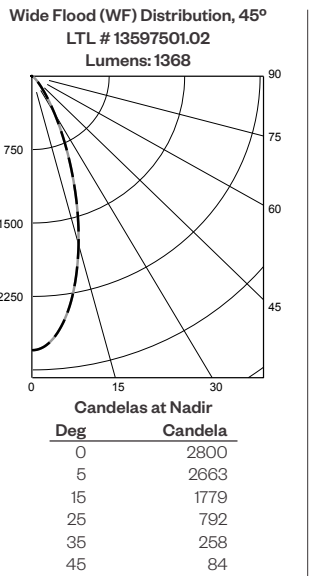
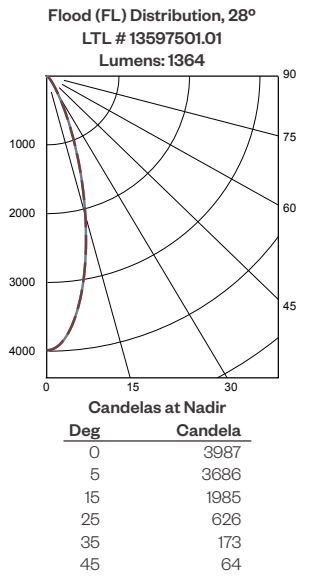
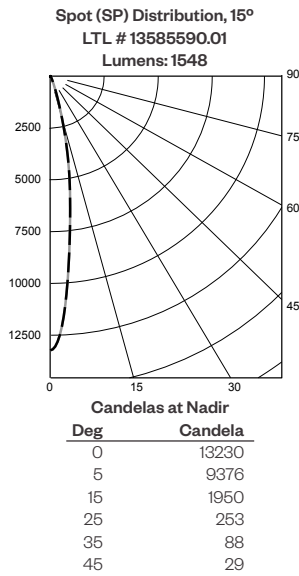
For updated performance issues prior to new IES file publication use the following multipliers on data below.

CCT:	2700K-83	3000K-83	3500K-83	4000K-83
Factor:	0.96	1.0	1.02	1.04

Wattage:	12W	18W
Factor:	0.83	1.0

CCT:	2200K-90+*	2700K-90+	3000K-90+	3500K-90+	4000K-90+	CRISP	3CLA
Factor:	0.71	0.80	0.83	0.87	0.90	0.65	0.75

18W LED, 3000K-83



Application Data - Square Downlight (EZSD)

Notes and Definitions:

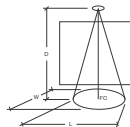
Beam spread is to 50% center beam candlepower (CBCP).

D=Distance to floor or wall.

FC=Footcandles on floor or wall at center beam aiming location.

L=Effective Visual Beam length in feet (50% of maximum footcandle level).

W=Effective Visual Beam width in feet (50% of maximum footcandle level).



0° Aiming Angle Horizontal Footcandles

	D	FC	L	W
Spot	5.0'	530	1.4	1.4
	7.5'	236	2.0	2.0
	10.0'	133	2.8	2.8
	12.5'	85	3.5	3.5

0° Aiming Angle Horizontal Footcandles

	D	FC	L	W
Flood	5.0'	160	2.6	2.6
	7.5'	71	3.7	3.7
	10.0'	40	5.0	5.0
	12.5'	26	6.3	6.3

0° Aiming Angle Horizontal Footcandles

	D	FC	L	W
Wide Flood	5.0'	112	3.0	3.0
	7.5'	50	4.6	4.6
	10.0'	28	6.0	6.0
	12.5'	18	7.6	7.6

0° Aiming Angle Horizontal Footcandles

	D	FC	L	W
Very Wide Flood	5.0'	42	5.0	5.0
	7.5'	19	7.4	7.4
	10.0'	11	9.9	9.9
	12.5'	7	12.8	12.8

PROJECT:

TYPE:

Performance Data - Square Adjustable (EZSA)

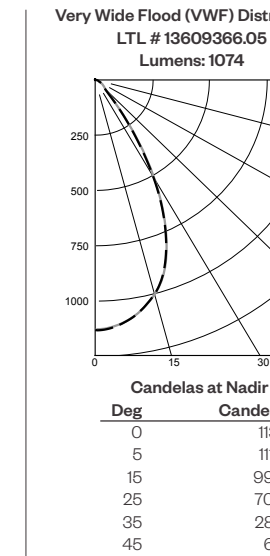
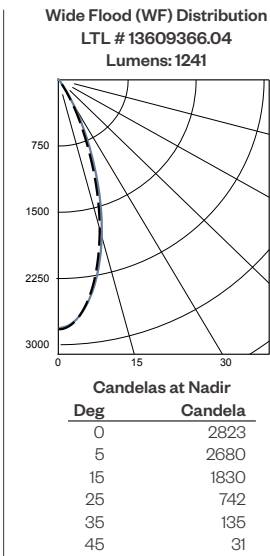
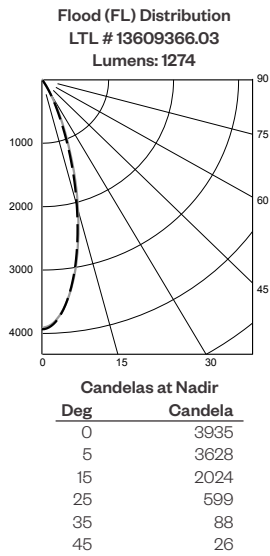
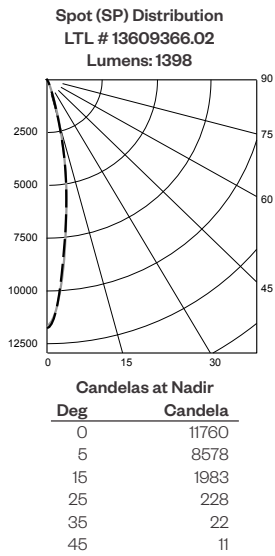
For updated performance issues prior to new IES file publication use the following multipliers on data below.

CCT:	2700K-83	3000K-83	3500K-83	4000K-83
Factor:	0.96	1.0	1.02	1.04

Wattage:	12W	18W
Factor:	0.83	1.0

CCT:	2200K-90+*	2700K-90+	3000K-90+	3500K-90+	4000K-90+	CRISP	3CLA
Factor:	0.71	0.80	0.83	0.87	0.90	0.65	0.75

18W LED, 3000K-83



Application Data - Square Adjustable (EZSA)

Notes and Definitions:

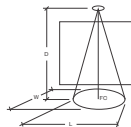
Beam spread is to 50% center beam candlepower (CBCP).

D=Distance to floor or wall.

FC=Footcandles on floor or wall at center beam aiming location.

L=Effective Visual Beam length in feet (50% of maximum footcandle level).

W=Effective Visual Beam width in feet (50% of maximum footcandle level).



0° Aiming Angle Horizontal Footcandles

Spot	D	FC	L	W
5.0'	471	1.5	1.5	
7.5'	210	2.2	2.1	
10.0'	118	3.0	2.9	
12.5'	76	3.6	3.6	

0° Aiming Angle Horizontal Footcandles

Flood	D	FC	L	W
5.0'	158	2.6	2.6	
7.5'	70	3.8	3.7	
10.0'	40	5.1	5.0	
12.5'	25	6.4	6.2	

0° Aiming Angle Horizontal Footcandles

Wide Flood	D	FC	L	W
5.0'	113	3.1	3.0	
7.5'	51	4.6	4.4	
10.0'	29	6.1	5.9	
12.5'	18	7.6	7.4	

0° Aiming Angle Horizontal Footcandles

Very Wide Flood	D	FC	L	W
5.0'	46	4.5	4.5	
7.5'	20	6.8	6.7	
10.0'	12	9.1	9.0	
12.5'	8	11.4	11.3	

PROJECT:	TYPE:
-----------------	--------------

Performance Data - Square Lens Wall Wash (EZSLW)

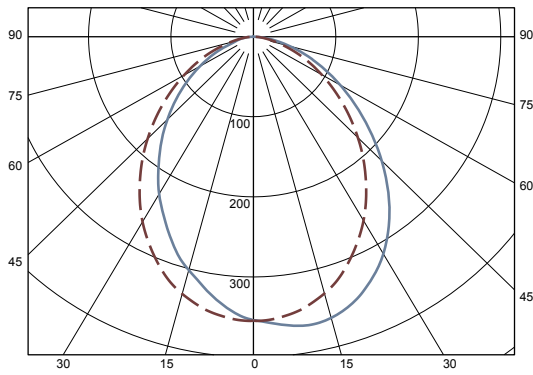
For updated performance issues prior to new IES file publication use the following multipliers on data below.

CCT:	2700K-83	3000K-83	3500K-83	4000K-83		Wattage:	12W	18W
Factor:	0.96	1.0	1.02	1.04		Factor:	0.83	1.0

CCT:	2200K-90+*	2700K-90+	3000K-90+	3500K-90+	4000K-90+	CRISP	3CLA
Factor:	0.71	0.80	0.83	0.87	0.90	0.65	0.75

18W LED, 3000K-83

Lens Wall Wash Distribution
LTL #13609366.06
Lumens: 787



ZONAL LUMEN SUMMARY

Zone	Lumens	%Fixt
0-40	413	52.5
0-60	666	84.6
0-90	787	100.0
90-180	0	0.0

Luminaire Efficacy: 43.0 lumens/watt

Application Data - Square Lens Wall Wash (EZSLW)

Footcandles on Wall

Footcandles are average and rounded off.
Data for multiple units are based on a minimum of five units.

1.5 Feet From Wall

		← 1.5' →		← 1.5' →		
Distance from ceiling	0.5'	35	36	39	36	35
	1.5'	62	65	67	65	62
	2.5'	42	46	47	46	42
	3.5'	26	28	29	28	26
	4.5'	17	18	19	18	17
	5.5'	11	12	13	12	11
	6.5'	8	9	9	9	8
	7.5'	6	7	7	7	7

1.5 Feet From Wall

		← 2' →		← 2' →		
Distance from ceiling	0.5'	25	32	25	33	25
	1.5'	46	53	49	53	49
	2.5'	33	36	36	37	36
	3.5'	21	22	23	24	23
	4.5'	14	15	15	16	15
	5.5'	10	10	11	11	10
	6.5'	7	8	8	8	7
	7.5'	6	6	6	6	6

2 Feet From Wall

		← 2' →		← 2' →		
Distance from ceiling	0.5'	15	17	17	17	16
	1.5'	31	34	34	34	32
	2.5'	31	33	34	34	31
	3.5'	23	24	25	25	23
	4.5'	16	17	18	18	16
	5.5'	11	12	13	13	12
	6.5'	9	9	10	10	9
	7.5'	7	7	8	8	7

PROJECT:

TYPE:

Performance Data - Square Shower (EZSSHW)

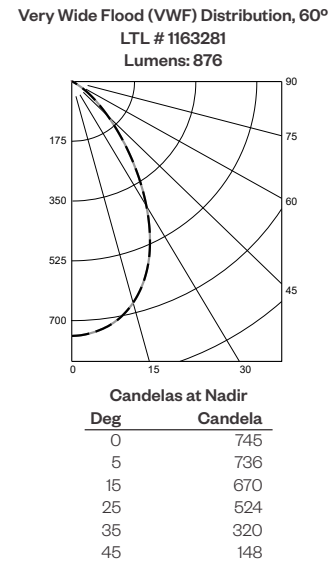
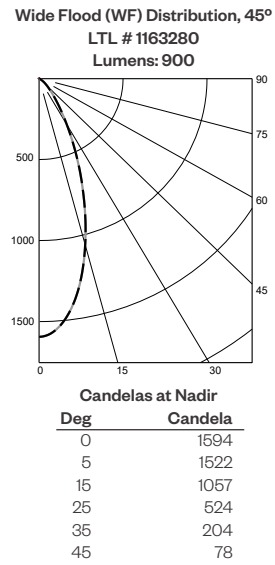
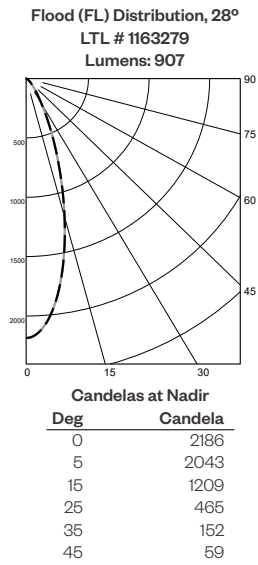
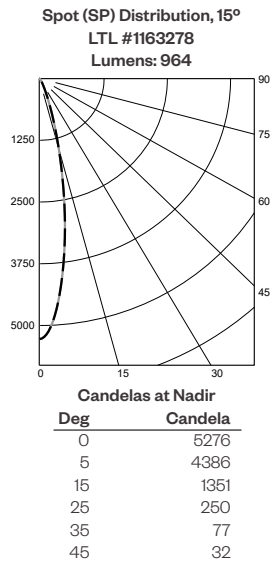
For updated performance issues prior to new IES file publication use the following multipliers on data below.

CCT:	2700K-83	3000K-83	3500K-83	4000K-83
Factor:	0.96	1.0	1.02	1.04

Wattage:	12W	18W
Factor:	0.83	1.0

CCT:	2200K-90+*	2700K-90+	3000K-90+	3500K-90+	4000K-90+	CRISP	3CLA
Factor:	0.71	0.80	0.83	0.87	0.90	0.65	0.75

18W LED, 3000K-83



Application Data - Square Shower (EZSSHW)

Notes and Definitions:

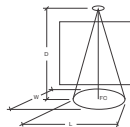
Beam spread is to 50% center beam candlepower (CBCP).

D=Distance to floor or wall.

FC=Footcandles on floor or wall at center beam aiming location.

L=Effective Visual Beam length in feet (50% of maximum footcandle level).

W=Effective Visual Beam width in feet (50% of maximum footcandle level).



0° Aiming Angle Horizontal Footcandles

Spot	D	FC	L	W
	5.0'	21	1.7	1.7
7.5'	94	2.7	2.7	
10.0'	53	3.5	3.5	
12.5'	34	4.4	4.4	

0° Aiming Angle Horizontal Footcandles

Flood	D	FC	L	W
	5.0'	99	2.6	2.6
7.5'	42	3.8	3.8	
10.0'	23	5.2	5.2	
12.5'	15	6.6	6.6	

0° Aiming Angle Horizontal Footcandles

Wide Flood	D	FC	L	W
	5.0'	64	3.2	3.2
7.5'	29	4.8	4.8	
10.0'	16	6.4	6.4	
12.5'	10	7.9	7.9	

0° Aiming Angle Horizontal Footcandles

Very Wide Flood	D	FC	L	W
	5.0'	34	4.6	4.6
7.5'	15	7.0	7.0	
10.0'	8	9.5	9.5	
12.5'	5	12.2	12.2	

PROJECT:

TYPE:

Performance Data - Square Pinhole Downlight (EZSPD)

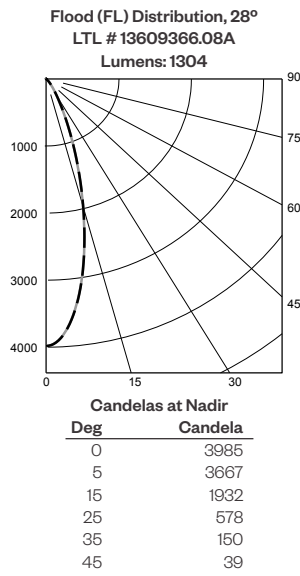
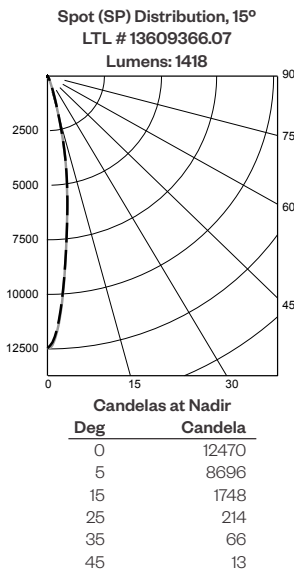
For updated performance issues prior to new IES file publication use the following multipliers on data below.

CCT:	2700K-83	3000K-83	3500K-83	4000K-83
Factor:	0.96	1.0	1.02	1.04

Wattage:	12W	18W
Factor:	0.83	1.0

CCT:	2200K-90+*	2700K-90+	3000K-90+	3500K-90+	4000K-90+	CRISP	3CLA
Factor:	0.71	0.80	0.83	0.87	0.90	0.65	0.75

18W LED, 3000K-83



Application Data - Round Pinhole Downlight (EZRPD)

Notes and Definitions:

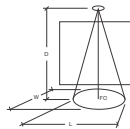
Beam spread is to 50% center beam candlepower (CBCP).

D=Distance to floor or wall.

FC=Footcandles on floor or wall at center beam aiming location.

L=Effective Visual Beam length in feet (50% of maximum footcandle level).

W=Effective Visual Beam width in feet (50% of maximum footcandle level).



	0° Aiming Angle Horizontal Footcandles			
	D	FC	L	W
Spot	5.0'	499	1.4	1.4
	7.5'	222	2.0	2.0
	10.0'	125	2.8	2.8
	12.5'	80	3.5	3.5

	0° Aiming Angle Horizontal Footcandles			
	D	FC	L	W
Flood	5.0'	160	2.6	2.6
	7.5'	71	3.7	3.7
	10.0'	40	5.0	5.0
	12.5'	26	6.2	6.2

PROJECT:

TYPE:

Dimming Compatibility

Amerlux® Essenza® fixtures are compatible with all major dimming protocols prevalent in the United States. Please see below for general compatibilities and wiring diagrams. Amerlux recommends testing your unique dimming configuration as the exact full configuration (*Dimmer, Fixture Quantity, Voltage, etc*) may affect dimming performance.

--- NOTE: INFORMATION BELOW IS FOR WIRED DIMMERS ONLY. FOR WIRELESS DIMMERS, CONSULT FACTORY ---

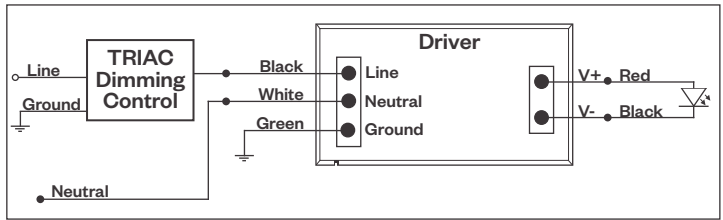
TRIAC (Forward Phase) Dimming

Utilizes standard TRIAC dimmers that are in wide use in installations across the US. Best for retrofit applications where TRIAC dimmers are installed.

Notes:

- 120VAC or 277VAC*
- Dims down to 5% light output (*most cases*)
- Consult Dimming manufacturer for installation instructions - **DO NOT SHARE NEUTRALS!**
- Must meet dimmer Minimum Load Requirements per dimming manufacturer

TRIAC Wiring Diagram



Compatible Dimmers†:	
Wall Box (TRIAC 120VAC)	Central System
Lutron "Diva"	Lutron "GP" Panel
Lutron "Nova-T"	Lutron Grafik Eye QS
Lutron "Maestro"	
Lutron "Skylark"	

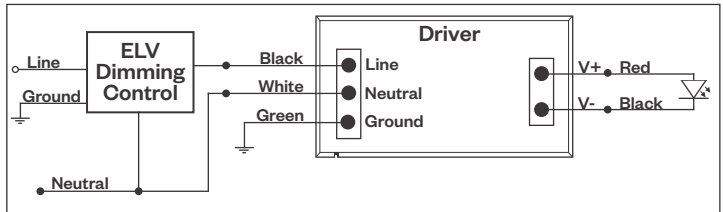
ELV - Electronic Low Voltage (Reverse Phase) Dimming

Utilizes specialized "ELV" dimmers.

Notes:

- 120VAC or 277VAC*
- Dims down to 5% light output (*most cases*)
- Consult Dimming manufacturer for installation instructions - **DO NOT SHARE NEUTRALS!**
- Must meet dimmer Minimum Load Requirements per dimming manufacturer

ELV Wiring Diagram



Compatible Dimmers†:		
Wall Box (ELV 120VAC)	Wall Box (ELV 277VAC)	Central System
Lutron "Diva"	Leviton Revoir II AWSMT-E	Lutron "GP" Panel with PHPM-PA 120/277VAC
Lutron "Nova-T"		Lutron Grafik Eye QS with PHPM-PA 120/277VAC
Lutron "Maestro"		
Lutron "Skylark"		
Leviton "Surslide"		
Leviton "Vizio"		

Notes:

* Driver is 277VAC dimmable with appropriate dimmer (*by others*). All provided wiring diagrams show 120VAC wiring colors and method. Please refer to 277VAC dimmer installation instructions for 277VAC wiring diagrams.

† The absence of a dimmer from the lists above does not imply incompatibility. Please consult factory for compatibility inquiries.

PROJECT:

TYPE:

Dimming Compatibility *(continued)*

Amerlux® Essenza® fixtures are compatible with all major dimming protocols prevalent in the United States. Please see below for general compatibilities and wiring diagrams. Amerlux recommends testing your unique dimming configuration as the exact full configuration (*Dimmer, Fixture Quantity, Voltage, etc*) may affect dimming performance.

--- NOTE: INFORMATION BELOW IS FOR WIRED DIMMERS ONLY. FOR WIRELESS DIMMERS, CONSULT FACTORY ---

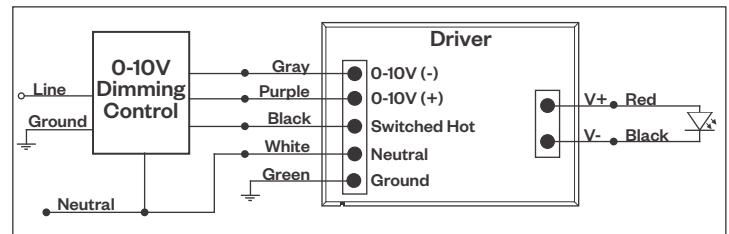
0-10V Dimming

Integrates into a variety of building management and daylighting controls

Notes:

- 120VAC or 277VAC*
- Dims down to 1% light output
- Requires interface to turn off power to driver
- Consult Dimming manufacturer for installation instructions - **DO NOT SHARE NEUTRALS!**

0-10V Wiring Diagram



Compatible Dimmers*:

Wall Box

Central System

Lutron "Diva" - DVSTV	Leviton Renoir II 0-10V	Lutron Grafik Eye with GRX-TVI Interface
-----------------------	-------------------------	--

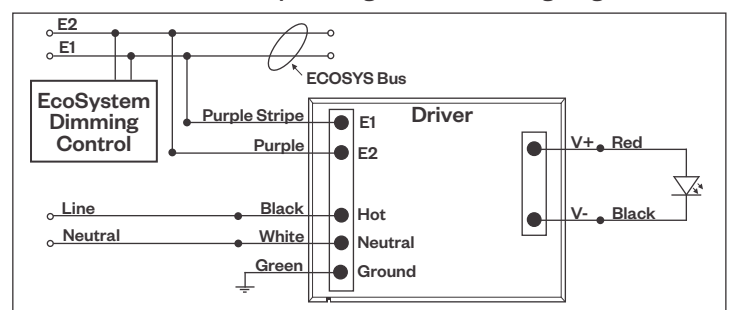
Lutron LDE1 Dimming

Integrates into Lutron EcoSystem building management

Notes:

- 120VAC or 277VAC*
- Dims down to 1% Soft-On/Fade-to-Black
- EcoSystem Control
- Consult Dimming manufacturer for installation instructions - **DO NOT SHARE NEUTRALS!**

LDE1 (HILUME-H-ECO) EcoSystem Digital Control Wiring Diagram



Compatible Dimmers*:

Lutron ECO System

Central System

Pow Pak Dimming Modules	Lutron EcoSystem compatible controls
Energi Savr Node	
Grafik Eye QS/Homeworks	
QS Control Unit	
Quantum Hub	
Homeworks QS/My Room	

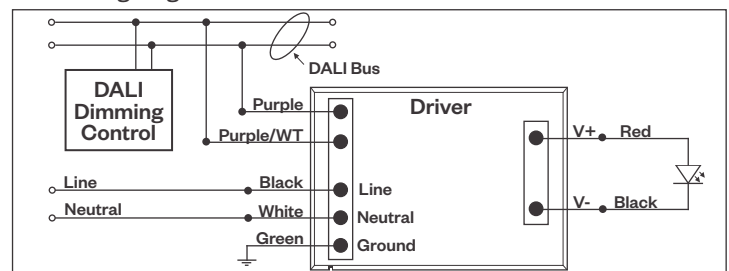
DALI Dimming

Digital control protocol allows individual fixture control

Notes:

- 120VAC - 277VAC*
- Dims down to 1% light output in most cases

DALI Wiring Diagram



Compatible Dimmers*:

Wall Box (3-Wire Fluorescent)

Central System

Leviton CD250 Controller	Dynalite
	Fifth Light

Notes:

* Driver is 277VAC dimmable with appropriate dimmer (*by others*). All provided wiring diagrams show 120VAC wiring colors and method. Please refer to 277VAC dimmer installation instructions for 277VAC wiring diagrams.

† The absence of a dimmer from the lists above does not imply incompatibility. Please consult factory for compatibility inquiries.

PROJECT:

TYPE:

Emergency Battery Pack

Wiring Diagram

