

**WARNING - RISK OF FIRE AND ELECTRICAL SHOCK. FIXTURE MUST BE INSTALLED BY A QUALIFIED ELECTRICIAN ONLY. FIXTURE IS INTENDED FOR INSTALLATION IN ACCORDANCE WITH THE NATIONAL ELECTRICAL CODE, LOCAL AND FEDERAL SPECIFICATIONS. DISCONNECT POWER AT ELECTRICAL PANEL BEFORE SERVICING.**

**RETAIN THESE INSTRUCTIONS FOR MAINTENANCE REFERENCE.**

**1** APERTURE CUTOUT

STANDARD:

SQUARE: 3-7/16" PER SIDE

ROUND: 3-7/16" DIAMETER

TRIMLESS:

SQUARE: 4-1/16" PER SIDE

ROUND: 4-1/16" DIAMETER

**2** WING NUT

LOOSEN WING NUT.

**3** ADJUST HANGER BARS

PULL OUT HANGER BARS TO APPROPRIATE DISTANCES.

**4** T-SLOT NOTCHES

NOTCHES ARE PROVIDED FOR STANDARD T-BAR TYPE CEILING GRIDS.

**5** FASTEN HANGER BARS

FASTEN HANGER BARS TO STRUCTURAL MEMBERS (HARDWARE BY OTHERS).  
TIGHTEN WING NUT.

**6** HEIGHT ADJUSTMENT

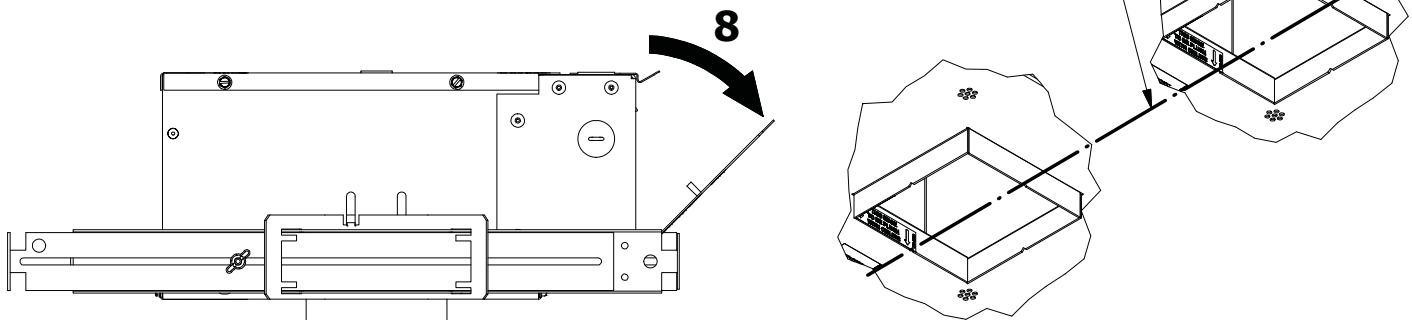
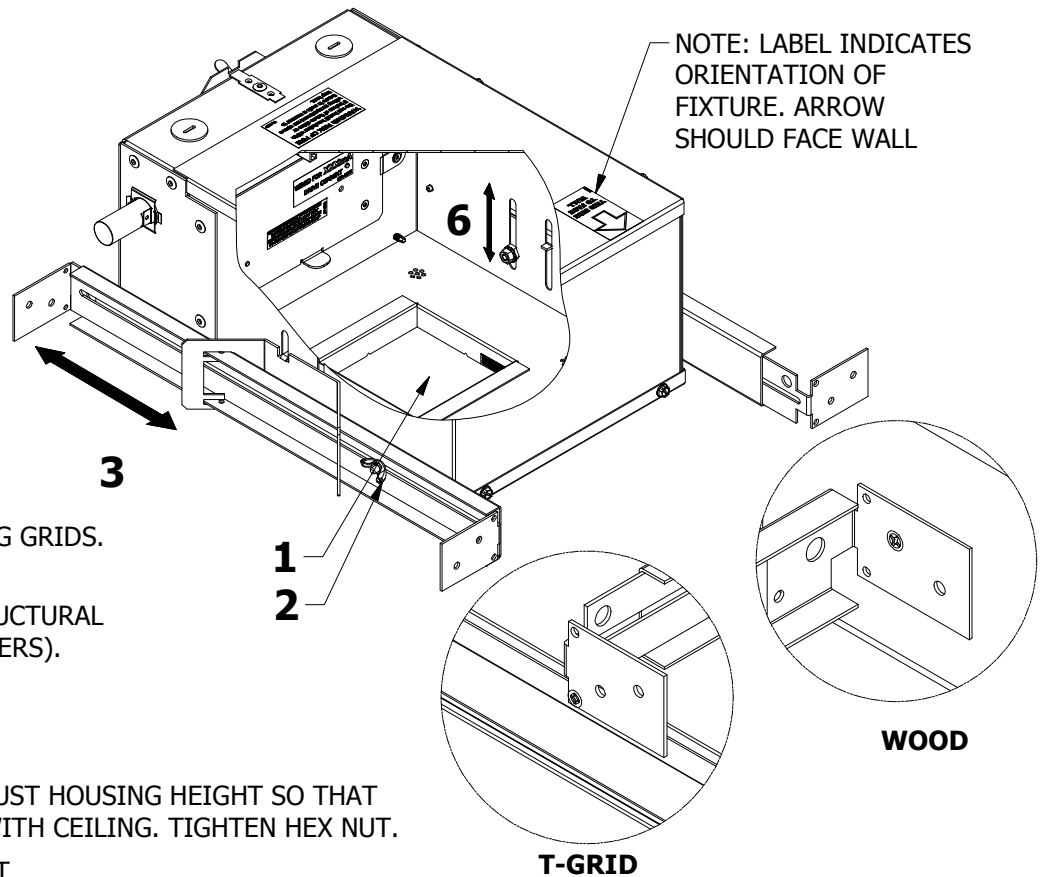
LOOSEN HEX NUT (5/16). ADJUST HOUSING HEIGHT SO THAT APERATURE EDGE IS FLUSH WITH CEILING. TIGHTEN HEX NUT.

**7** MULTIPLE FIXTURE ALIGNMENT

USING A LASER, ALIGN NOTCHES OF MULTIPLE FIXTURES FOR PRECISE ALIGNMENT.

**8** WIRING

REMOVE J-BOX COVER AND WIRE IN ACCORDANCE TO THE NEC, AS WELL AS ANY APPLICABLE LOCAL CODES.



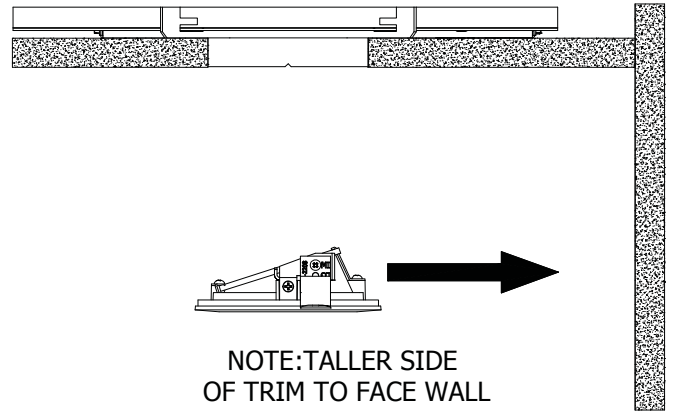
**WARNING - RISK OF FIRE AND ELECTRICAL SHOCK. FIXTURE MUST BE INSTALLED BY A QUALIFIED ELECTRICIAN ONLY. FIXTURE IS INTENDED FOR INSTALLATION IN ACCORDANCE WITH THE NATIONAL ELECTRICAL CODE, LOCAL AND FEDERAL SPECIFICATIONS. DISCONNECT POWER AT ELECTRICAL PANEL BEFORE SERVICING.**

**RETAIN THESE INSTRUCTIONS FOR MAINTENANCE REFERENCE.**

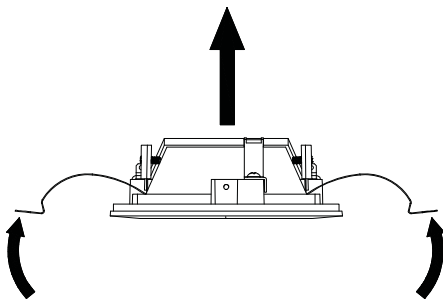
## TRIM INSTALLATION

1. SQUEEZE TORSION SPRINGS, AND RAISE TRIM THROUGH APERTURE

NOTE: WHEN INSTALLING TRIM, TRIM WITH HIGHER SIDE CUT SHOULD FACE WALL



NOTE: TALLER SIDE OF TRIM TO FACE WALL

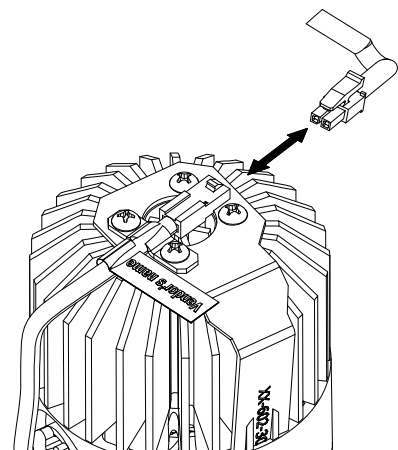
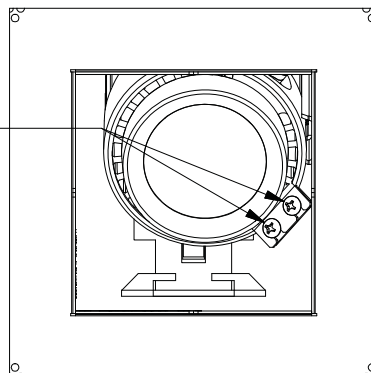


## OPTICAL HEAD REPLACEMENT

1. REMOVE TRIM ASSEMBLY
2. LOOSEN (2X) BUT DO NOT REMOVE #6 SCREWS ON OPTICAL HEAD YOKE
3. LIFT OPTICAL HEAD UP AND AWAY FROM BRACKET
4. LOWER OPTICAL HEAD THROUGH APERTURE OPENING. **DO NOT LET OPTICAL HEAD HANG BY WIRE HARNESS. DAMAGE OR INJURY MAY OCCUR**
5. DISCONNECT WIRE HARNESS

**LOOSEN SCREWS  
BUT DO NOT REMOVE**

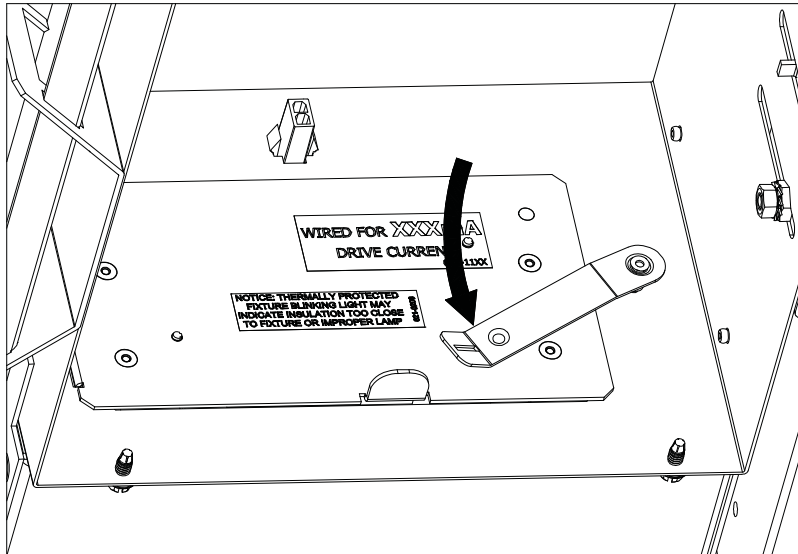
**SLIDE OPTICAL HEAD  
UP AND AWAY FROM  
MOUNTING BRACKET**



**WARNING - RISK OF FIRE AND ELECTRICAL SHOCK. FIXTURE MUST BE INSTALLED BY A QUALIFIED ELECTRICIAN ONLY. FIXTURE IS INTENDED FOR INSTALLATION IN ACCORDANCE WITH THE NATIONAL ELECTRICAL CODE, LOCAL AND FEDERAL SPECIFICATIONS. DISCONNECT POWER AT ELECTRICAL PANEL BEFORE SERVICING.**

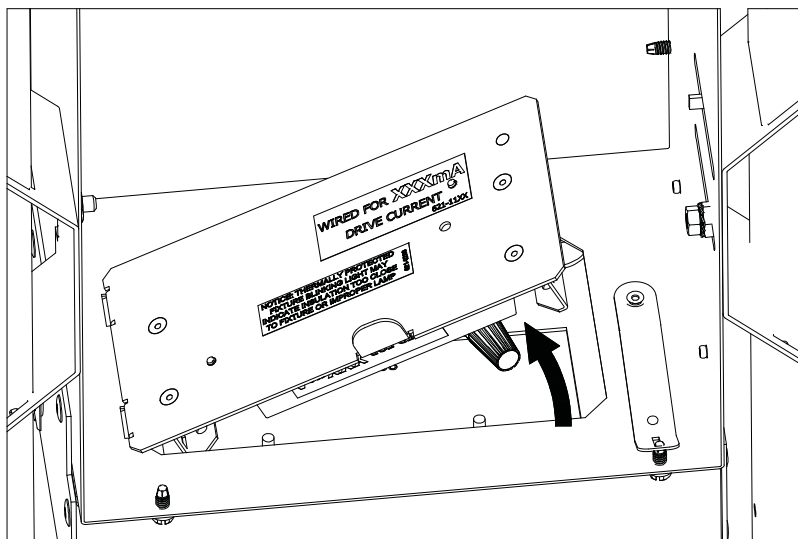
**RETAIN THESE INSTRUCTIONS FOR MAINTENANCE REFERENCE.**

## DRIVER BOX ACCESS



1. REMOVE TRIM  
SEE SHEET 2 FOR TRIM REMOVAL  
INSTRUCTIONS

2. SLIDE RETAINING CLIP OFF  
OF DRIVER PLATE



3. PIVOT DRIVER MOUNTING PLATE  
AWAY FROM FIXTURE HOUSING