

Evoked[®] Glow 12"



Features

The Evoked[®] Glow is ideal for general ambient lighting. Featuring 40W LED array in a 12" x 12" lens with optional Lutron and 0-10v dimming systems, this fixture is ideal for video conference rooms and anywhere general lighting is needed.

Product Overview

Fixture Type:	Recessed Ambient
Wattage:	40W
Color Temp:	2200K, 2700K, 3000K, 3500K, 4000K, CRISP
ORI:	83 typ. (2700K, 3000K, 3500K, 4000K)
Dimming:	0-10V (120/277VAC) - 1% Dim Lutron Hi-lume [®] H Series/EcoSystem - 1% dim with soft on, fade to black, 120/277VAC

PROJECT:

TYPE:

Fixture Type

Square	New Construction
Yes	Yes

Performance Chart

Watts	Delivered Lumens	LPW	Color Temp
40	3,329	82	3500K-83

Data is based on 3500K-83 IES files available on website

Electrical Data

	40W	
	System Watts	Amps
120V	40	0.33
277V	40	0.14



PROJECT:

TYPE:

Housing/Frame Ordering Information



- 1** Model
EG-FRAME-A17[†]
- 2** Wattage
40
- 3** Voltage
120
277
- 4** Driver (for non-dimming, select 0-10V option)
0-10V - 0-10V dimming, 1% dim
HILUME-H-ECO - Lutron Hi-lume® H Series, EcoSystem, 1% dim with soft on, fade to black
- 5** Options
EM - emergency battery pack

Trim Ordering Information



- 1** Model
EG-TRIM-A17[†]
- 2** Lens
12 - 12" x 12" lens
- 3** Finish
MW - matte white
- 4** Color Temp
27 - 2700K-83
30 - 3000K-83
35 - 3500K-83
40 - 4000K-83

[†] The "A" refers to the sequential revision in a year and "XX" refers to the year of update. Updates coincide with improved performance while not changing the overall fixture aesthetic and are reflected in the published performance data. Please contact your Amerlux representative for explanations of changes.

PROJECT:

TYPE:

Specifications

Application

Commercial ambient lighting
Excellent for video conference room applications

Housing/Frame Construction

Steel frame and housing
Internal components are die-formed cold-rolled steel
Laser cut steel ceiling trim

Optical

Nominal 1/4" white acrylic lens

LED

Color Temp Options:
2700K, 3000K, 3500K, 4000K
CRI: 83 typ. (2700K, 3000K, 3500K, 4000K)
R9 Values: 11 (83 CRI)
Binning: 3 MacAdam (SDCM)

Electrical

Wattage: 40W LED array
Electronic dedicated voltage driver, 120/277VAC input
This product complies with IEEE C62.41 for surge endurance up to 2.5KV. Amerlux[®] recommends using additional surge protection with this unit (supplied by others), surge and over voltage damage is not covered under warranty.

Drivers

0-10V dimming (standard)
Lutron systems also available
See page 6 for more dimming information

Finish

Powder coat paint/wet paint
Consult factory for custom finishes

Mounting

For use in grid or sheetrock ceilings, 5/8" - 1 1/4" thick
Consult factory for thicker ceilings
26" Hanger bars included
Consult factory for hanger bars greater than 26"

Certifications

CSA approved to UL standards as tested by CSA
For indoor use only

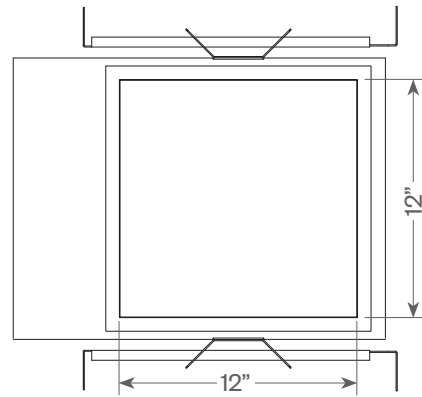
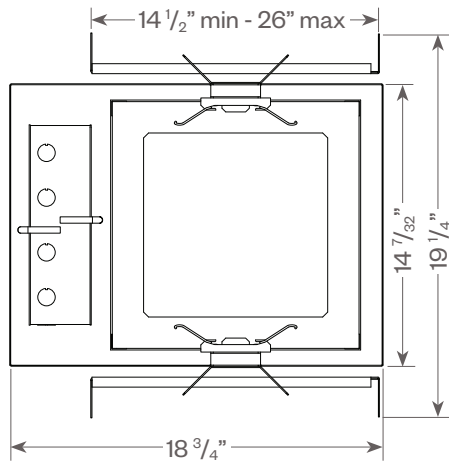
Warranty

5 year limited warranty

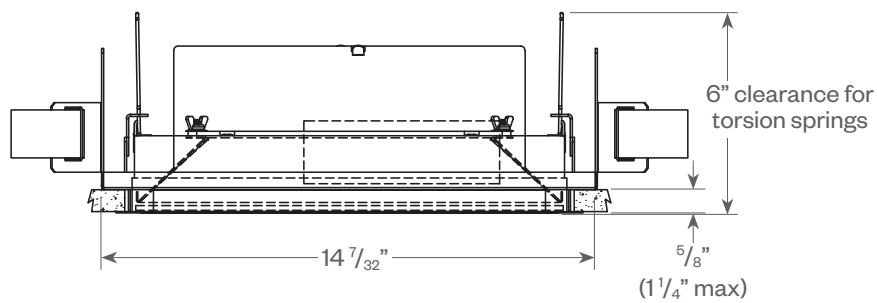
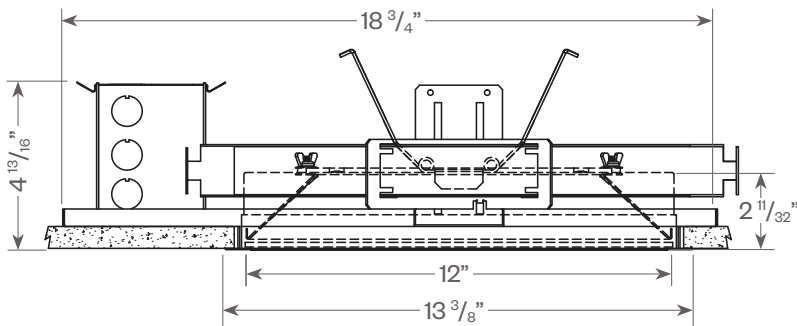
Evoke[®] Glow 12"

PROJECT:

TYPE:



Ceiling cut out: $12\frac{3}{4}$ " x $12\frac{3}{4}$ "



PROJECT:

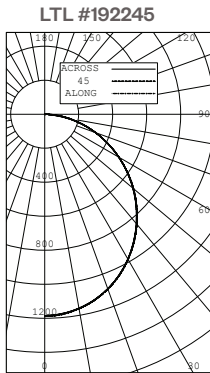
TYPE:

FIXTURE DATA: (Complete photometric data (.ies format) available upon request)

MULTIPLYING FACTORS: (Multiplying Factor is based on 3000K-83 120V IES file on website)

CCT:	2700K-83	3000K-83	3500K-83	4000K-83
Factor:	0.87	0.93	1.0	1.08

40W LED Array, 3500K-83



CANDELA DISTRIBUTION

Deg	Along	22.5	45.0	67.5	Across
0	1187	1187	1187	1187	1187
5	1180	1180	1182	1182	1180
15	1132	1132	1134	1134	1131
25	1043	1041	1044	1043	1041
35	913	915	916	916	914
45	763	763	764	764	762
55	592	594	594	594	592
65	413	412	413	414	411
75	233	232	233	234	232
85	66	66	65	66	65
90	0	0	0	0	0

ZONAL LUMEN SUMMARY

Zone	Lumens	%Luminaire
0-30	912	27.39
0-40	1483	44.56
0-60	2601	78.13
0-90	3329	100.00
40-90	1846	55.44
60-90	728	21.87
90-180	0	0.00
0-180	3329	100.00

Efficacy : 82.2 Lm/W

COEFFICIENTS OF UTILIZATION

RC	80			
RW	70	50	30	10
RCR				
0	1.19	1.19	1.19	1.19
1	1.09	1.05	1.01	0.97
2	1.00	0.93	0.86	0.81
3	0.92	0.82	0.74	0.68
4	0.85	0.73	0.65	0.58
5	0.78	0.65	0.57	0.50
6	0.72	0.59	0.50	0.44
7	0.66	0.53	0.44	0.38
8	0.61	0.48	0.39	0.34
9	0.57	0.44	0.35	0.30
10	0.53	0.40	0.31	0.26

Application Data:

Ambient (GLOW) 40W LED Array

12' x 15' space
3 fixtures, 9' mounting height, 4' o.o.
Footcandles at 2.5' AFF

20	24	28	33	27	29	29	27	23	28	24	20
23	27	32	38	43	46	46	43	38	33	27	23
25	30	36	43	49	52	52	49	43	36	30	25
27	33	39	46	53	57	57	53	46	39	33	27
29	34	41	49	56	60	60	56	49	41	34	29
29	36	43	51	58	63	63	58	51	43	35	29
30	36	44	52	59	64	64	59	52	44	36	30
30	36	43	52	59	64	64	59	52	43	36	30
29	35	43	51	58	62	62	58	51	43	35	29
28	34	41	49	56	60	60	56	49	41	34	28
27	32	39	46	52	56	56	52	46	39	32	27
25	30	35	42	48	51	51	48	42	35	30	25
23	27	32	37	42	45	45	42	37	32	27	23
20	24	28	32	36	38	38	36	32	28	24	20
18	21	24	27	30	32	31	30	27	24	21	18

PROJECT:

TYPE:

DIMMING COMPATIBILITY:

Amerlux[®] Evoke fixtures are compatible with all major dimming protocols prevalent in the United States. Please see below for general compatibilities and wiring diagrams. Amerlux recommends testing your unique dimming configuration as the exact full configuration (Dimmer, Fixture Quantity, Voltage, etc) may affect dimming performance.

--- NOTE: INFORMATION BELOW IS FOR WIRED DIMMERS ONLY. FOR WIRELESS DIMMERS, CONSULT FACTORY ---

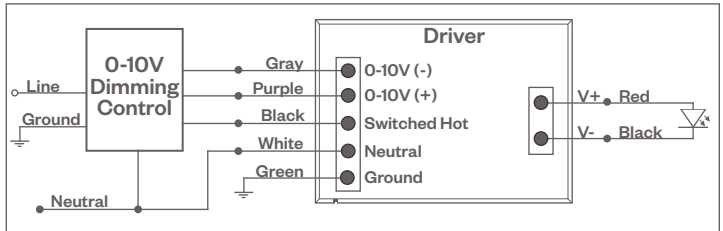
0-10V - DIMMING (-0-10V Option)

Integrates into a variety of building management and daylighting controls

Notes:

- 120VAC or 277VAC*
- Dims down to 1% light output
- Requires interface to turn off power to driver
- Consult Dimming manufacturer for installation instructions - DO NOT SHARE NEUTRALS!

0-10V Wiring Diagram



Compatible Dimmers†:

Wall Box

Lutron "Diva" - DVTV with PP-120H Interface

Leviton Renoir II 0-10V

Central System

Lutron Grafik Eye with GRX-TVI Interface

LUTRON H-SERIES / ECOSYSTEM (-HILUME-H-ECO Option)

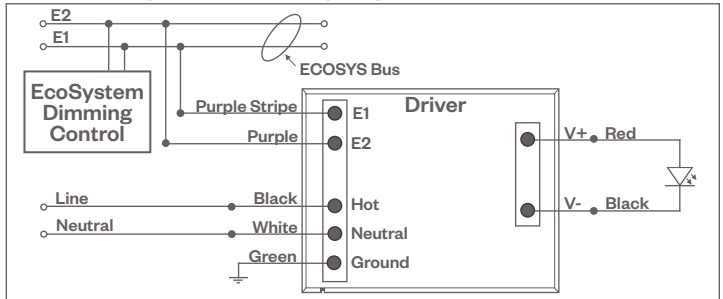
Integrates into Lutron EcoSystem building management

Notes:

- 120VAC or 277VAC*
- Dims down to 1% light output
- EcoSystem Control
- Consult Dimming manufacturer for installation instructions - DO NOT SHARE NEUTRALS!

HILUME-H-ECO, HILUME-5-ECO

EcoSystem Digital Control Wiring Diagram



Compatible Dimmers†:

Lutron ECO System

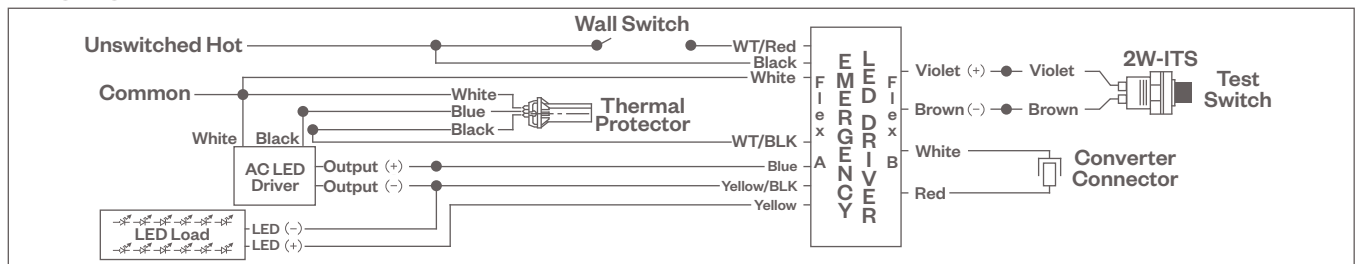
Pow Pak Dimming Modules
Energi Savr Node
Grafik Eye QS/Homeworks
QS Control Unit
Quantum Hub
Homeworks QS/My Room

Central System

Lutron EcoSystem compatible controls

EMERGENCY DIMMING (-EM OPTION)

Wiring Diagram



Notes:

- * Driver is 277VAC dimmable with appropriate dimmer (by others). All provided wiring diagrams show 120VAC wiring colors and method. Please refer to 277VAC dimmer installation instructions for 277VAC wiring diagrams.
- † The absence of a dimmer from the lists above does not imply incompatibility. Please consult factory for compatibility inquiries.