

Evolve[®] Spot Glow 12"



Features

The Evolve[®] Spot Glow offers the best of accent and ambient lighting in one unique, multi-functional, recessed square-in-square[™] fixture. Featuring a 2.9" 13W or 18W LED downlight center in a 12" x 12" 40W LED surround, the fixture can produce multiple layers of light delivering an unprecedented level of flexibility to a variety of applications - including conference/presentation rooms - where lighting requirements may frequently change.

Product Overview

Fixture Type:	Recessed Ambient/Accent
Wattage:	40W/13W or 40W/18W
Color Temp:	2200K, 2700K, 3000K, 3500K, 4000K, CRISP
CRI:	83 typ. (2700K, 3000K, 3500K, 4000K) 90+ typ. (2200K, 2700K, 3000K) CrispWhite Available
Dimming:	TRIAC & ELV (120/277VAC) - 5% Dim Lutron Hi-lume [®] H Series/EcoSystem - 1% dim with soft on, fade to black, 120/277VAC 0-10V (120/277VAC) - 1% Dim

PROJECT:

TYPE:

Fixture Type

Square	New Construction
Yes	Yes

Performance Chart

Watts	Delivered Lumens	LPW	CBCP	Color Temp
Ambient (GLOW)				
40	2504	76.6	N/A	3500K-83
Accent (SPOT)				
11	794	72.2	8,756	3000K-83
16	1,191	74.4	11,507	3000K-83
18	1,323	73.5	12,508	3000K-83

Electrical Data

	40W/11W		40W/16W		40W/18W	
	System Watts	Amps	System Watts	Amps	System Watts	Amps
120V	51	0.44	56	0.47	58	0.48
277V	51	0.19	56	0.20	58	0.21

Electronic constant current LED driver



Evoke® Spot Glow 12"



PROJECT:

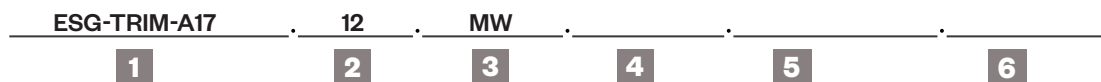
TYPE:

Housing/Frame Ordering Information



- | | |
|--|---|
| <p>1 <u>Model</u>
ESG-FRAME-A17[†]</p> <p>2 <u>Wattage</u> (for Ambient)
40</p> <p>3 <u>Wattage</u> (for Accent)
11
16
18</p> <p>4 <u>Voltage</u>
120
277</p> | <p>5 <u>Driver</u> (for non-dimming, select LE/TE option)
LE/TE - TRIAC/ELV dimming
HILUME-H-ECO - Lutron Hi-lume® H Series, EcoSystem, 1% dim with soft on, fade to black
0-10V - 0-10V dimming, 1% dim</p> <p>6 <u>Options</u> (for Ambient only)
EM - emergency battery pack</p> |
|--|---|

Trim Ordering Information



- | | |
|---|--|
| <p>1 <u>Model</u>
ESG-TRIM-A17[†]</p> <p>2 <u>Lens</u>
12 - 12" x 12" lens</p> <p>3 <u>Finish</u>
MW - matte white</p> <p>4 <u>Beam Spreads</u> (for Accent)
SP - spot, 15°
NF - narrow flood, 20°
MFL - medium flood, 24°
FL - flood, 28°
WF - wide flood, 45°
VWF - very wide flood, 60°
LS - linear spread, 60° x 10°</p> | <p>5 <u>Color Temp</u> (for Accent)
83 CRI 90+ CRI
27 - 2700K-83 229 - 2200K-90+ CRISP - CrispWhite
30 - 3000K-83 279 - 2700K-90+
35 - 3500K-83 309 - 3000K-90+
40 - 4000K-83</p> <p>6 <u>Color Temp</u> (for Ambient)
27 - 2700K-83
30 - 3000K-83
35 - 3500K-83
40 - 4000K-83</p> |
|---|--|

[†] The "A" refers to the sequential revision in a year and "XX" refers to the year of update. Updates coincide with improved performance while not changing the overall fixture aesthetic and are reflected in the published performance data. Please contact your Amerlux representative for explanations of changes.

Evolve[®] Spot Glow 12"



PROJECT:

TYPE:

Specifications

Application

Commercial ambient/accent lighting
Excellent for video conference room applications

Housing Construction

Steel frame and housing
Internal components are die-formed cold-rolled steel
Laser cut steel ceiling trim

Optical

Nominal 1/4" white acrylic lens

LED

Color Temp Options:

Ambient - 2700K, 3000K, 3500K, 4000K

CRI: 83 typ. (2700K, 3000K, 3500K, 4000K)

Accent - 2200K, 2700K, 3000K, 3500K, 4000K

CRI: 83 typ. (2700K, 3000K, 3500K, 4000K)

90+ typ. (2200K, 2700K, 3000K)

CrispWhite* LED available

R9 Values: 11 (83 CRI), 55 (92 CRI)

Binning: 3 MacAdam (SDCM)

**CrispWhite: CrispWhite Technology delivers the warmth of colors expected from a high 90 CRI solution but also creates the natural crisp white color that is pleasing to the eye. It creates the most impactful lighting ever available, by revealing the richest whites and vibrant colors that pop.*

Electrical

Wiring: 2 circuit standard

Ambient Wattage: 40

Accent Wattage: 11, 16, 18

This product complies with IEEE C62.41 for surge endurance up to 2.5KV. Amerlux[®] recommends using additional surge protection with this unit (supplied by others), surge and over voltage damage is not covered under warranty.

Drivers

Ambient (Glow):

Electronic dedicated voltage driver. 120/277VAC input, non-dimming (standard)

0-10V and Lutron systems also available

Accent (Spot):

LE/TE - Leading Edge, TRIAC, forward phase/Trailing Edge, ELV, reverse phase, dedicated voltage, 120V or 277V

0-10V and Lutron systems also available

See pages 7-8 for more dimming information

Finish

Powder coat paint/wet paint

Consult factory for custom finishes

Mounting

For use in grid or sheetrock ceilings, 5/8" - 1 1/4" thick

Consult factory for thicker ceilings

26" Hanger bars included

Consult factory for hanger bars greater than 26"

Certifications

CSA approved to UL standards as tested by CSA

For indoor use only

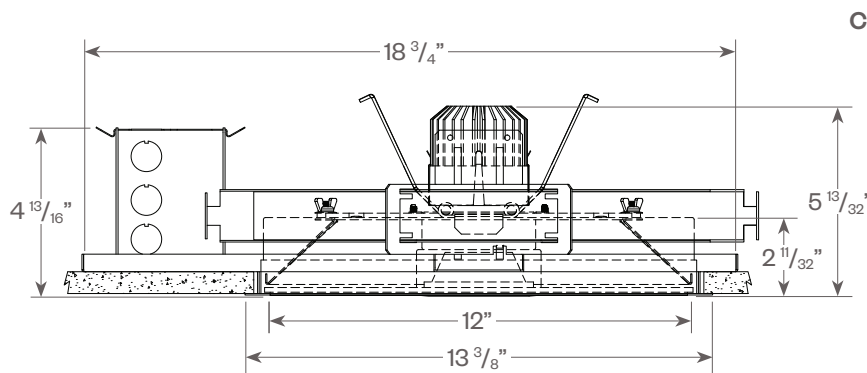
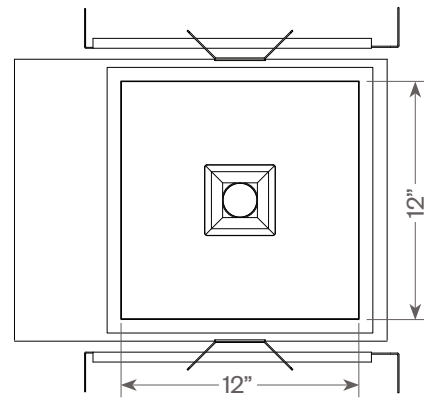
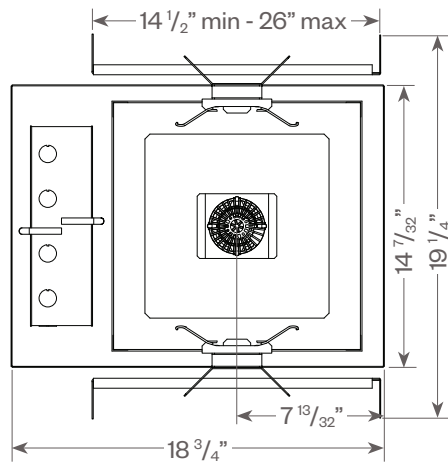
Warranty

5 year limited warranty

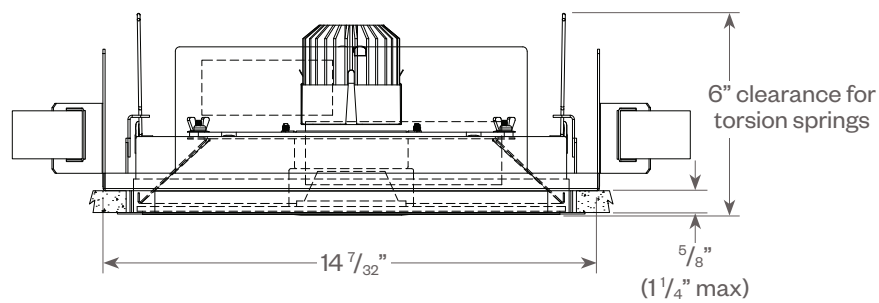
Evolve[®] Spot Glow 12"

PROJECT:

TYPE:



Ceiling cut out: $12 \frac{3}{4}$ " x $12 \frac{3}{4}$ "



Evoke[®] Spot Glow 12"



PROJECT:

TYPE:

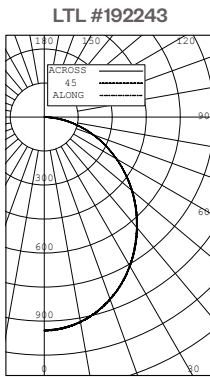
FIXTURE DATA: (Complete photometric data (.ies format) available upon request)

MULTIPLYING FACTORS: (Multiplying Factor is based on 3500K-83 120V IES file on website)

CCT:	2700K-83	3000K-83	3500K-83	4000K-83
Factor:	0.87	0.93	1.0	1.08

Ambient (GLOW) LED Array

40W LED, 3500K-83



CANDELA DISTRIBUTION

Deg	Along	22.5	45.0	67.5	Across
0	942	942	942	942	942
5	935	935	937	937	935
15	889	891	892	893	890
25	809	808	811	811	809
35	696	698	700	700	698
45	572	572	573	573	571
55	436	437	438	439	436
65	299	300	299	300	299
75	166	166	166	167	166
85	46	47	46	46	46
90	0	0	0	0	0

COEFFICIENTS OF UTILIZATION

RC	80			
RW	70	50	30	10
ROR				
0	1.19	1.19	1.19	1.19
1	1.10	1.05	1.01	0.97
2	1.00	0.93	0.87	0.81
3	0.92	0.82	0.75	0.69
4	0.85	0.74	0.66	0.59
5	0.78	0.66	0.58	0.51
6	0.72	0.59	0.51	0.45
7	0.66	0.53	0.45	0.39
8	0.62	0.48	0.40	0.35
9	0.57	0.44	0.36	0.30
10	0.53	0.40	0.32	0.27

ZONAL LUMEN SUMMARY

Zone	Lumens	%Luminaire
0-30	713	28.47
0-40	1149	45.89
0-60	1980	79.08
0-90	2504	100.00
40-90	1355	54.11
60-90	524	20.92
90-180	0	0.00
0-180	2504	100.00

Efficacy : 76.6 Lm/W

Application Data:

Ambient (GLOW) 40W LED Array

12' x 15' space
3 fixtures, 9' mounting height, 4' o.o.
Footcandle at 2.5' AFF

15	18	21	25	28	30	30	28	25	21	18	15
17	20	25	29	33	35	35	33	29	25	20	17
19	23	27	33	37	40	40	37	33	27	23	19
20	24	30	36	41	44	44	41	36	30	24	20
21	26	31	38	43	47	47	43	38	31	26	21
22	27	33	39	45	48	48	45	39	33	27	22
22	27	33	40	46	49	49	46	40	33	27	22
22	27	33	40	46	49	49	46	40	33	27	22
22	27	32	39	45	48	48	45	39	32	27	22
21	26	31	37	43	46	46	43	37	31	26	21
20	24	29	35	40	44	44	40	35	29	24	20
19	22	27	32	37	39	39	37	32	27	22	19
17	20	24	28	32	34	34	32	28	24	20	17
15	18	21	24	27	29	29	27	24	21	18	15
13	15	18	20	23	24	24	23	20	18	15	13

Evolve[®] Spot Glow 12"



PROJECT:

TYPE:

FIXTURE DATA: (Complete photometric data (.ies format) available upon request)

MULTIPLYING FACTORS: (Multiplying Factor is based on 3000K-83 120V IES file on website)

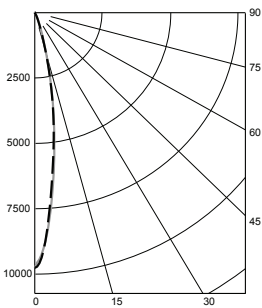
Wattage:	11W	16W	18W
Factor:	0.61	0.89	1.0

CCT:	2700K-83	3000K-83	3500K-83	4000K-83	2200K-90+	2700K-90+	3000K-90+	CRISP
Factor:	0.96	1.0	1.02	1.04	0.71	0.80	0.83	0.65

Accent (Spot) LED

18W LED, 3000K

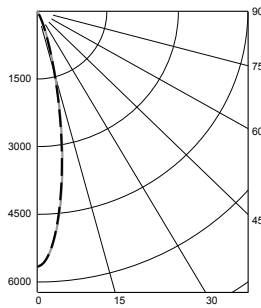
Spot (SP) Distribution, 15°
LTL #1178277
Lumens: 1,100



Candelas at Nadir

Deg	Candela
0	9764
5	7059
15	1462
25	189
35	9
45	2

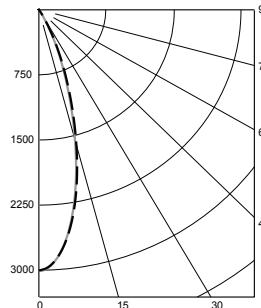
Narrow Flood (NF) Distribution, 20°
LTL #1178278
Lumens: 1,013



Candelas at Nadir

Deg	Candela
0	5663
5	4861
15	1589
25	274
35	17
45	3

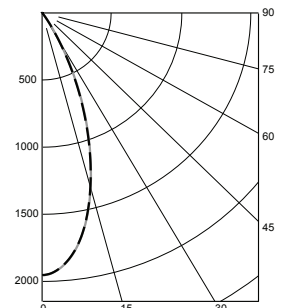
Flood (FL) Distribution, 28°
LTL # 1178280
Lumens: 973



Candelas at Nadir

Deg	Candela
0	3004
5	2802
15	1568
25	457
35	31
45	5

Wide Flood (WF) Distribution, 45°
LTL # 1178281
Lumens: 916

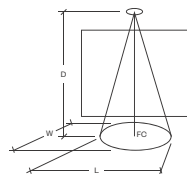


Candelas at Nadir

Deg	Candela
0	1953
5	1877
15	1341
25	592
35	75
45	8

Application Data:

	0° Aiming Angle Horizontal Footcandles			
	D	FC	L	W
Spot	5.0'	237	1.9	1.9
	7.5'	130	2.6	2.6
	10.0'	81	3.3	3.2
	12.5'	54	3.9	3.8
Narrow Flood	5.0'	168	2.3	2.3
	7.5'	87	3.1	3.1
	10.0'	52	3.9	3.9
	12.5'	34	4.9	4.8
Flood	5.0'	102	2.9	2.9
	7.5'	49	4.0	4.1
	10.0'	29	5.3	5.5
	12.5'	19	6.6	6.8
Wide Flood	5.0'	70	3.4	3.4
	7.5'	33	5.0	4.9
	10.0'	19	6.6	6.6
	12.5'	12	8.1	8.2



Notes and Definitions:

Beam spread is to 50% center beam candlepower (CBCP).

D=Distance to floor or wall.

FC=Footcandles on floor or wall at center beam aiming location.

L=Effective Visual Beam length in feet (50% of maximum footcandle level).

W=Effective Visual Beam width in feet (50% of maximum footcandle level).

CB=Distance across or down to center beam location.

Evoke[®] Spot Glow 12[™]



PROJECT:

TYPE:

DIMMING COMPATIBILITY:

Amerlux[®] Evoke fixtures are compatible with all major dimming protocols prevalent in the United States. Please see below for general compatibilities and wiring diagrams. Amerlux recommends testing your unique dimming configuration as the exact full configuration (Dimmer, Fixture Quantity, Voltage, etc) may affect dimming performance.

--- NOTE: INFORMATION BELOW IS FOR WIRED DIMMERS ONLY. FOR WIRELESS DIMMERS, CONSULT FACTORY ---

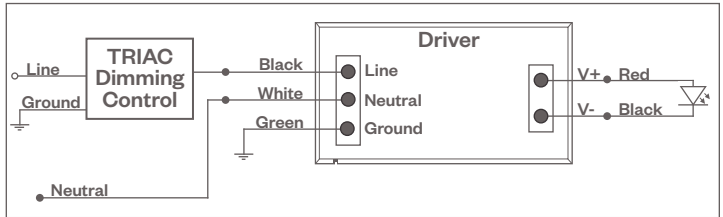
TRIAC (Forward Phase) DIMMING (Standard)

Utilizes "Standard" incandescent dimmers that are in wide use in installations across the US. Best for retrofit applications where TRIAC dimmers are installed.

Notes:

- 120VAC or 277VAC*
- Dims down to less than 5% light output (most cases)
- Consult Dimming manufacturer for installation instructions - DO NOT SHARE NEUTRALS!
- Must meet dimmer Minimum Load Requirements per dimming manufacturer

TRIAC Wiring Diagram



Compatible Dimmers[†]:

Wall Box (Incandescent Style, Wattage as required)		Central System
Lutron "Diva"	Lutron "Vareo"	Lutron "GP" Panel
Lutron "Nova-T"	Lutron "Skylark"	Lutron Grafik Eye QS
Lutron "Maestro"		

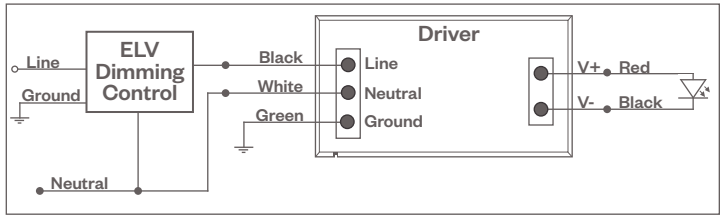
ELV - Electronic Low Voltage (Reverse Phase) DIMMING (Standard)

Utilizes specialized "ELV" dimmers.

Notes:

- 120VAC or 277VAC*
- Dims down to less than 5% light output (most cases)
- Consult Dimming manufacturer for installation instructions - DO NOT SHARE NEUTRALS!
- Must meet dimmer Minimum Load Requirements

ELV Wiring Diagram



Compatible Dimmers[†]:

Wall Box (ELV Style)		Central System
Lutron "Diva"	Leviton "Surslide"	Lutron "GP" Panel with PHPM-PA Interface
Lutron "Nova-T"	Leviton "Vizio"	Lutron Grafik Eye QS with PHPM-PA Interface
Lutron "Maestro"		
Lutron "Vareo"		
Lutron "Skylark"		

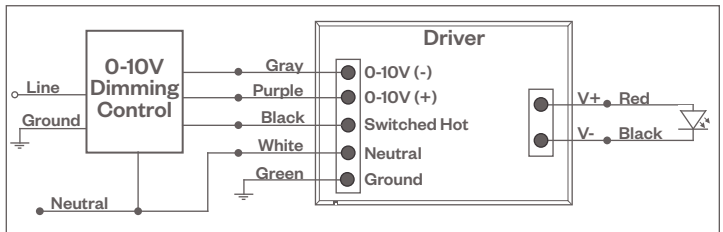
0-10V - DIMMING (-0-10V Option)

Integrates into a variety of building management and daylighting controls

Notes:

- 120VAC or 277VAC*
- Dims down to 1% light output
- Requires interface to turn off power to driver
- Consult Dimming manufacturer for installation instructions - DO NOT SHARE NEUTRALS!

0-10V Wiring Diagram



Compatible Dimmers[†]:

Wall Box	Central System
Lutron "Diva" - DVTV with PP-120H Interface	Leviton Renoir II 0-10V
	Lutron Grafik Eye with GRX-TVI Interface

Notes:

- * Driver is 277VAC dimmable with appropriate dimmer (by others). All provided wiring diagrams show 120VAC wiring colors and method. Please refer to 277VAC dimmer installation instructions for 277VAC wiring diagrams.
- † The absence of a dimmer from the lists above does not imply incompatibility. Please consult factory for compatibility inquiries.

Evoke® Spot Glow 12"

PROJECT:

TYPE:

DIMMING COMPATIBILITY:

Amerlux® Evoke fixtures are compatible with all major dimming protocols prevalent in the United States. Please see below for general compatibilities and wiring diagrams. Amerlux recommends testing your unique dimming configuration as the exact full configuration (Dimmer, Fixture Quantity, Voltage, etc) may affect dimming performance.

--- NOTE: INFORMATION BELOW IS FOR WIRED DIMMERS ONLY. FOR WIRELESS DIMMERS, CONSULT FACTORY ---

LUTRON H-SERIES / ECOSYSTEM (-HILUME-H-ECO Option)

Integrates into Lutron EcoSystem building management

Notes:

- 120VAC or 277VAC*
- Dims down to 1% light output
- EcoSystem Control
- Consult Dimming manufacturer for installation instructions - DO NOT SHARE NEUTRALS!

Compatible Dimmers†:

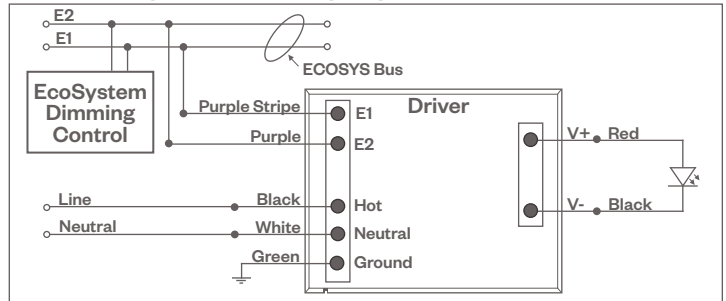
Lutron ECO System

Pow Pak Dimming Modules
Energi Savr Node
Grafik Eye QS/Homeworks
QS Control Unit
Quantum Hub
Homeworks QS/My Room

Central System

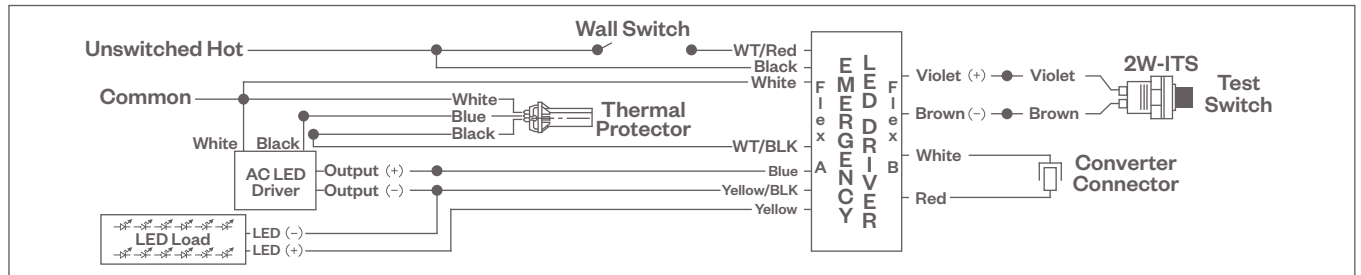
Lutron EcoSystem compatible controls

**HILUME-H-ECO, HILUME-5-ECO
EcoSystem Digital Control Wiring Diagram**



EMERGENCY DIMMING (-EM OPTION)

Wiring Diagram



Notes:

- * Driver is 277VAC dimmable with appropriate dimmer (by others). All provided wiring diagrams show 120VAC wiring colors and method. Please refer to 277VAC dimmer installation instructions for 277VAC wiring diagrams.
- † The absence of a dimmer from the lists above does not imply incompatibility. Please consult factory for compatibility inquiries.