

HORNET® HP DOWNLIGHT

3.5" ROUND LENSED DOWNLIGHT LED INTERNATIONAL

I-HDL-HP-
RLD-A14
LED



APPLICATIONS:

Retail and commercial ambient lighting

CONSTRUCTION:

20 ga. galvanized steel frame
18 ga. galvanized steel splice housing and hanger brackets
Die-cast optical housing and trim
Extruded aluminum heat sink

ELECTRICAL:

Electronic constant current LED driver, 240v input
ELV and Triac dimming standard

This product complies with IEEE C62.41 for surge endurance up to 2.5KV. Amerlux® recommends using additional surge protection with this unit (supplied by others), surge damage is not covered by warranty.

OPTICS:

High reflectance, highly diffuse mixing chamber
Engineered nano technology lens provides transmission while concealing LED image
LED:

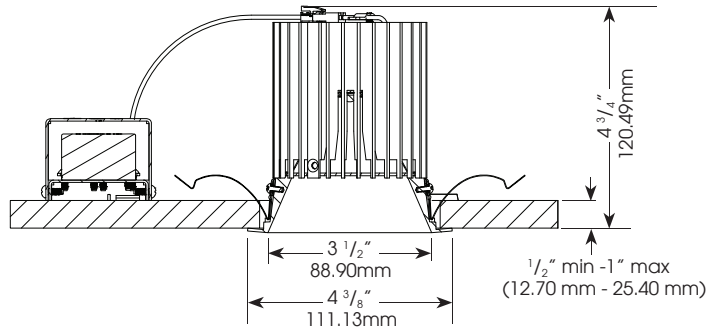
Color Temp Options: 2200K, 2700K, 3000K, 3500K, 4000K
CRI: 83 typ. (2700K, 3000K, 3500K, 4000K)
90+ typ. (2200K, 2700K, 3000K)
Optional Amerlux CrispWhite technology
R9 Value: 11 (83CRI), 55 (90+CRI)
Binning: 3 MacAdam (SDMC)
Lumen Maintenance: >70% of initial lumens @ 50,000 hrs
Lumen Output (at 3000K):
Very Wide Flood (75°): 14W - 911 lm, 21W - 1310 lm

LABELING:

CE
Damp location (standard)
Wet location option

PROJECT:

TYPE:



Ceiling Cut Out Dimension: 3 5/8" (98 mm)



Electrostatic sensitive device,
observe precautions for
handling

98 mm

ELECTRICAL

Electronic driver

	14W		21W	
	System Watts	Amps	System Watts	Amps
240V	14	0.06	21	0.09

ORDERING INFORMATION:

Model	Wattage	Lamp Type	Voltage	Aperture Finish	Color Temp (CCT-CRI)	Listing Code	Options
I-HDL-HP-RLD-A14	14	LED	240	<u>Reflector with White Painted Flange</u>	27 - 2700K-83	CE	WET - wet location DALI - DALI driver
				MBW - matte black	30 - 3000K-83		
	MWW - matte white	35 - 3500K-83					
	SLVW - matte silver	40 - 4000K-83					
	<u>Reflector with Black Painted Flange</u>	229 - 2200K-90+					
	MBB - matte black	279 - 2700K-90+					
		309 - 3000K-90+					
	<u>Reflector with Silver Painted Flange</u>	CRISP - CrispWhite					
	SLVS - matte silver	3CLA - 3K Class A					

Example: I-HDL-HP-RLD-A14-21-LED-240-MWW-30-CE

Cat #:

Amerlux reserves the right to change details that do not affect overall function and performance.



HORNET® HP DOWNLIGHT

3.5" ROUND LENSED DOWNLIGHT LED INTERNATIONAL

I-HDL-HP-
RLD-A14
LED



TYPE:

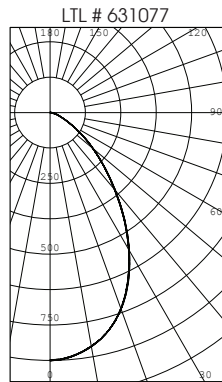


FIXTURE DATA: For 14W data, multiply by 0.67

Complete photometric data (ies format) available upon request.

CCT Conversion Factor: 2700K-83 = 0.96; 3500K-83 = 1.02; 4000K-83 = 1.04; 2200K-90+ = 0.71; 2700K-90+ = 0.80; 3000K-90+ = 0.83; CRISP = 0.65; 3CLA = 0.75

21W LED 3000K-83

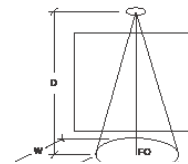


Candelas at Nadir	Deg	Candela
0		875
5		866
15		797
25		653
35		455
45		271

APPLICATION DATA:

Notes and Definitions:

Beam spread is to 50% center beam candlepower (CBCP).
 D=Distance to floor or wall.
 FC=Footcandles on floor or wall at center beam aiming location.
 L=Effective Visual Beam length in feet (50% of maximum footcandle level).
 W=Effective Visual Beam width in feet (50% of maximum footcandle level).
 CB=Distance across or down to center beam location.



0° Aiming Angle
Horizontal
Footcandles

D	FC	L	W
5.0'	36	5.1	5.1
7.5'	16	7.7	7.7
10.0'	9	10.3	10.3
12.5'	6	13.5	13.5