

**INSTRUCTION SHEET**



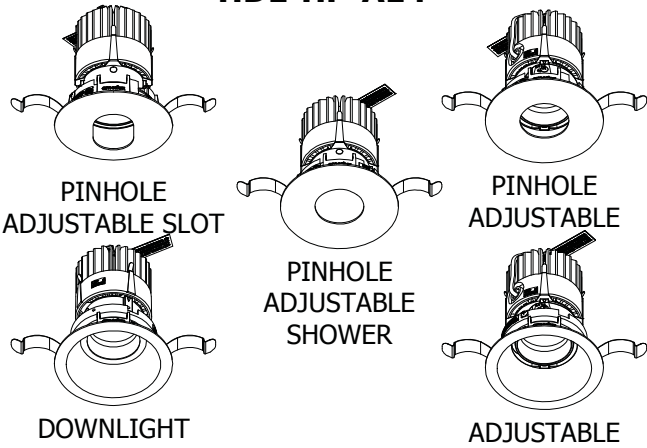
**HORNET HP DOWNLIGHT STANDARD/REMODELER TRIM/TRIMLESS OPTICAL HEAD INSTALLATION**

**689-0510**

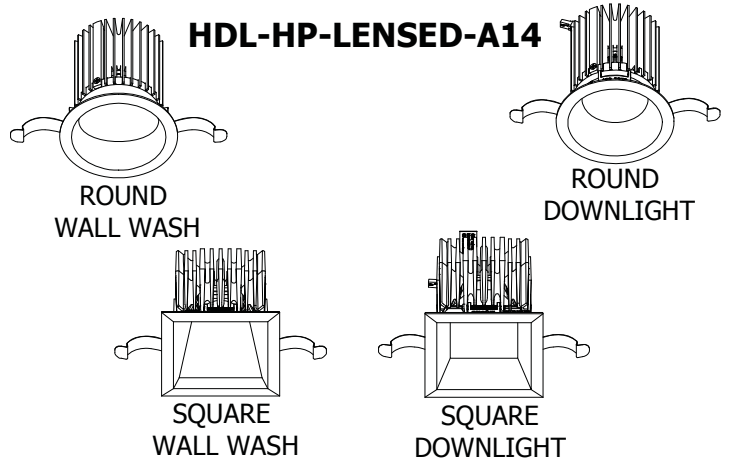
PAGE 1 OF 2

**WARNING - RISK OF FIRE AND ELECTRICAL SHOCK. FIXTURE MUST BE INSTALLED BY A QUALIFIED ELECTRICIAN ONLY. FIXTURE IS INTENDED FOR INSTALLATION IN ACCORDANCE WITH THE NATIONAL ELECTRICAL CODE, LOCAL AND FEDERAL SPECIFICATIONS. DISCONNECT POWER AT ELECTRICAL PANEL BEFORE SERVICING. RETAIN THESE INSTRUCTIONS FOR MAINTENANCE REFERENCE.**

**HDL-HP-A14**



**HDL-HP-LENSED-A14**

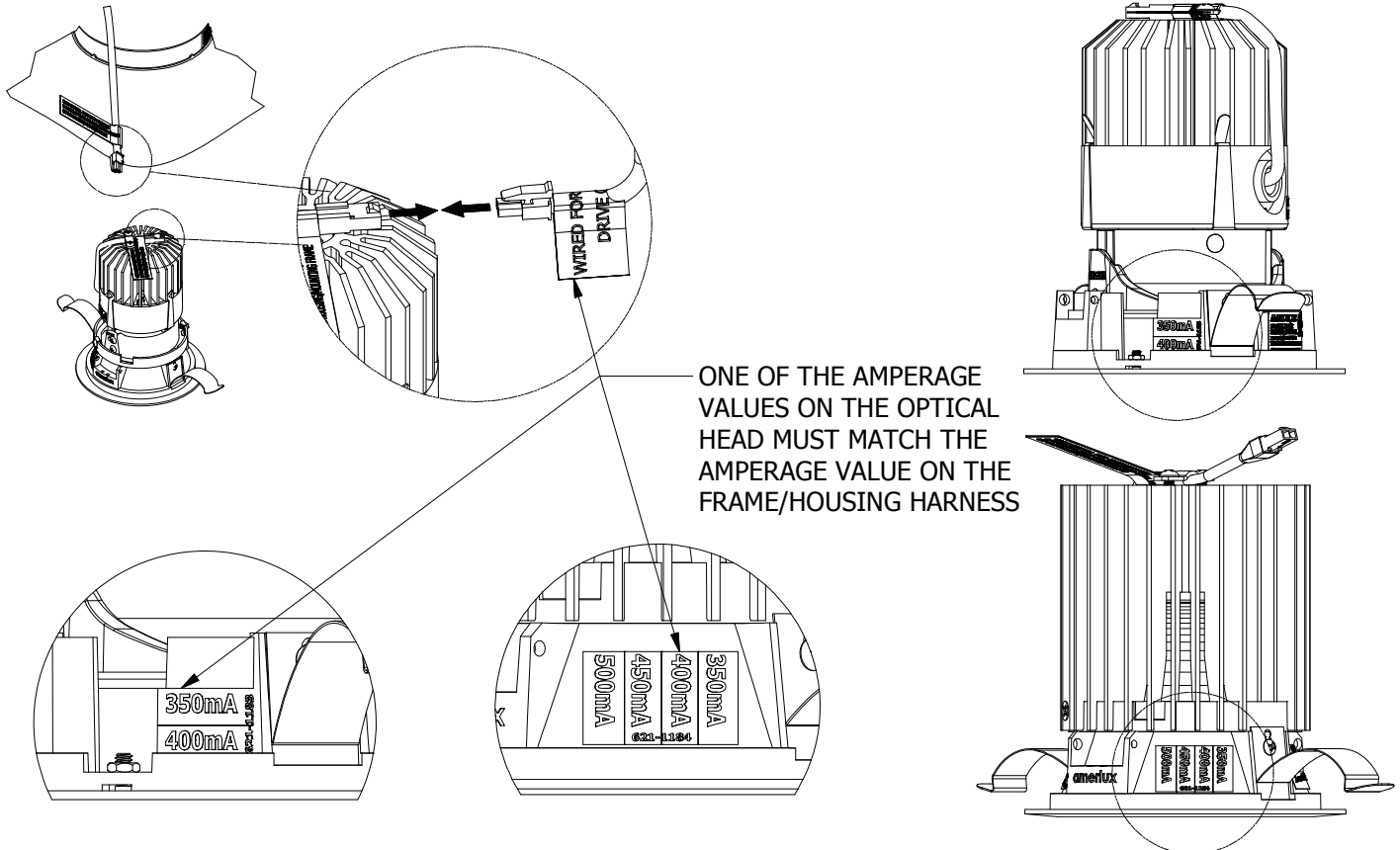


**NOTE: HDL-HP-A14 AND HDL-HP-LENSED-A14 FOLLOW SAME INSTALLATION PROCEDURE**

**1. MAKE ELECTRICAL CONNECTION**

CONNECT THE OPTICAL HEAD HARNESS TO THE FRAME HARNESS.

**DO NOT SUPPORT TRIM ASSEMBLY WEIGHT USING QUICK CONNECT HARNESSES.**



**INSTRUCTION SHEET**

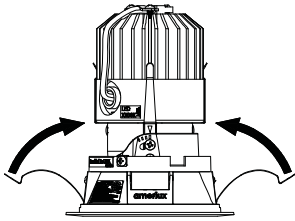
**HORNET HP DOWNLIGHT STANDARD/REMODELER TRIM/TRIMLESS OPTICAL HEAD INSTALLATION**

**689-0510**

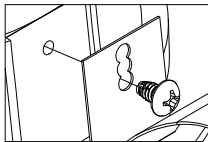
PAGE 2 OF 2

**WARNING - RISK OF FIRE AND ELECTRICAL SHOCK. FIXTURE MUST BE INSTALLED BY A QUALIFIED ELECTRICIAN ONLY. FIXTURE IS INTENDED FOR INSTALLATION IN ACCORDANCE WITH THE NATIONAL ELECTRICAL CODE, LOCAL AND FEDERAL SPECIFICATIONS. DISCONNECT POWER AT ELECTRICAL PANEL BEFORE SERVICING. RETAIN THESE INSTRUCTIONS FOR MAINTENANCE REFERENCE.**

**2. SPRING CLIPS**

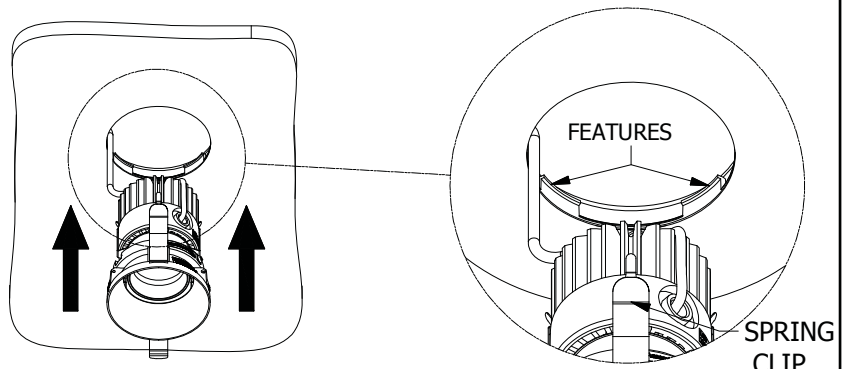


COMPRESS AND HOLD 2X SPRING CLIPS.



NOTE: CLIPS ARE FACTORY SET WITH SCREW IN MIDDLE HOLE. FOR A 7/8" CEILING MOVE SCREWS TO BOTTOM HOLE.

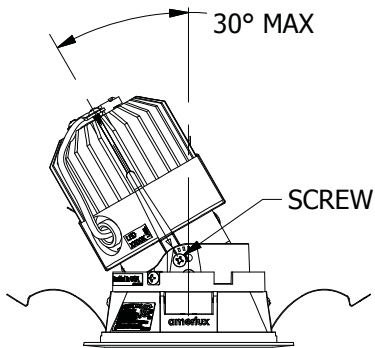
**3. INSERT OPTICAL HEAD**



INSERT OPTICAL HEAD INTO CEILING CUTOUT.

NOTE: FOR **ROUND TRIMLESS STYLES** ENSURE SPRING CLIPS ARE ALIGNED BETWEEN FEATURES.

**TILT ADJUSTMENT**



**ROTATION ADJUSTMENT**

