



INSTRUCTION SHEET

HDL-HP-A17 MILL WORK FRAME INSTALLATION

689-20028

PAGE 1 OF 1

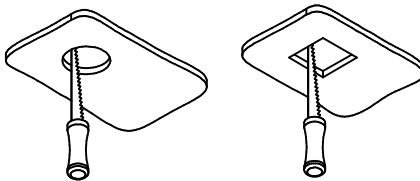
WARNING - RISK OF FIRE AND ELECTRICAL SHOCK. FIXTURE MUST BE INSTALLED BY A QUALIFIED ELECTRICIAN ONLY. FIXTURE IS INTENDED FOR INSTALLATION IN ACCORDANCE WITH THE NATIONAL ELECTRICAL CODE, LOCAL AND FEDERAL SPECIFICATIONS. DISCONNECT POWER AT ELECTRICAL PANEL BEFORE SERVICING.

RETAIN THESE INSTRUCTIONS FOR MAINTENANCE REFERENCE.

MODEL			
HDL-HP-...-A17.MWK	R-Round S-Square	NC-(NEW CONSTRUCTION)	NO EXTENSION COLLAR
HDL-HP-...-A17.MWK1		CP-(CHICAGO PLENUM)	EXTENSION COLLAR FOR 3/4" TO 1-1/2" CEILING
HDL-HP-...-A17.MWK2		IC-(INSULATED CEILING/AIR TIGHT)	EXTENSION COLLAR FOR 1-1/2" TO 2" CEILING

CEILING CUTOUT

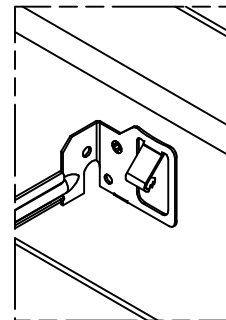
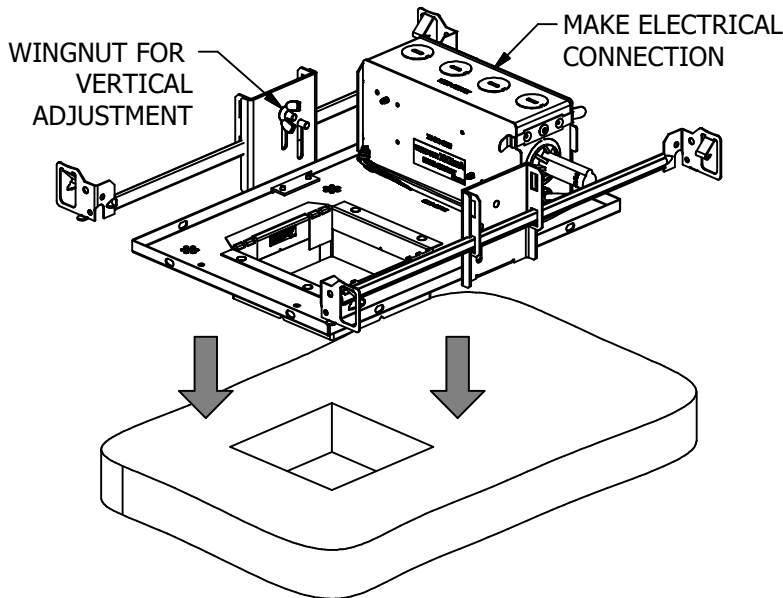
ROUND: Ø4"
SQUARE: 4" x 4"



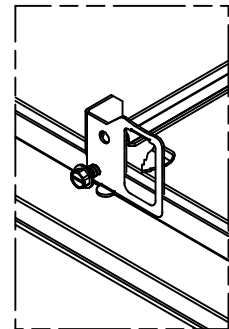
CAUTION:

CEILING OPENING SIZE LARGER THAN RECOMMENDED WILL CREATE UNDESIRABLE GAP AROUND TRIM

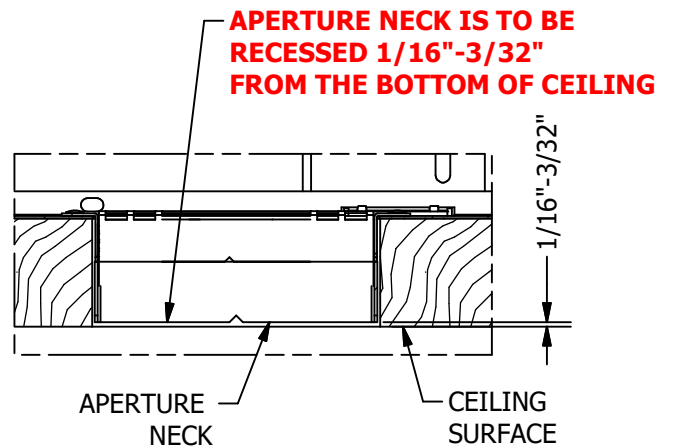
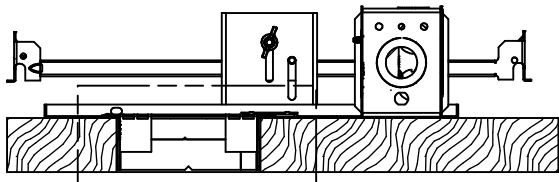
FRAME INSTALLATION



SCREW TO WOOD OR METAL STRUCTURE



FASTEN TO STRUCTURAL MEMBER OR T-BAR



NOTE: SQUARE FRAME INSTALLATION SHOWN. FOLLOW SAME PROCEDURE TO INSTALL ROUND FRAME.

Amerlux, 178 Bauer Drive, Oakland, N.J. 07436, T: 973-882-5010, F: 973-882-2604 www.amerlux.com

REVISION:

DESCRIPTION:

DATE:

APPROVED: