

Mini Cavaletto®

Recessed Adjustable
Wall Wash



Features

The Mini Cavaletto LED is a compact, recessed adjustable wall wash luminaire for commercial and retail environments. The high-performance optical head with various wattage options can be flush with the ceiling line to provide general illumination or pulled down (up to a 45-degree tilt) for wall washing or menu board lighting. Spaced up to 8' on center, the Mini Cavaletto LED produces an even gradient of light for any vertical surface.

Product Overview

Type:	Recessed Adjustable Wall Wash
Wattage:	25, 34, 42, 51
Lumen Output:	3,714 max; 73.3 Lm/W (51W)
CBCP:	2,072 max
Color Temp:	2700K, 3000K, 3500K, 4000K, CRISP
GRI:	83 typ. (2700K, 3000K, 3500K, 4000K) 90+ typ. (2700K, 3000K)
Dimming:	CrispWhite & Class A LEDs available TRIAC & ELV (120/277VAC) - 5% Dim 0-10V (120/277VAC) - 1% Dim (42W max)

PROJECT:

TYPE:

Performance Chart

Watts	Delivered Lumens	LPW	CBCP	Color Temp
25	1820	72.8	1,015	3000K-83
34	2,488	73.2	1,388	3000K-83
42	3,444	81	1,873	3000K-83
51	3,714	73.3	2,072	3000K-83

Data is based on 51W 3000K-83 IES files available on website

Electrical Data

	25W		34W		42W		51W	
	System Watts	Amps	System Watts	Amps	System Watts	Amps	System Watts	Amps
120V	25	0.21	34	0.28	42	0.35	51	0.43
277V	25	0.09	34	0.12	42	0.15	51	0.18

Electronic constant current LED driver



Mini Cavaletto®

Recessed Adjustable Wall Wash



PROJECT:

TYPE:

Housing/Frame Ordering Information

MCAV-FRAME-A17

1

2

3

4

1 Model
MCAV-FRAME-A17†

2 Wattage
25
34
42
51

3 Voltage
120
277

4 Driver (for non-dimming, select LE/TE option)
LE/TE - TRIAC/ELV dimming
0-10V - 0-10V dimming; 1% dim (42W max)

Trim Ordering Information

MCAV-A17

1

2

3

4

1 Model
MCAV-A17†

2 Finish
WT - white texture

3 Beam Spread
WW - wall wash

4 Color Temp
83 CRI 90+ CRI
27 - 2700K-83 279 - 2700K-90+ CRISP - Crisp White
30 - 3000K-83 309 - 3000K-90+ 3CLA - 3K Class A
35 - 3500K-83
40 - 4000K-83

† The "A" refers to the sequential revision in a year and "XX" refers to the year of update. Updates coincide with improved performance while not changing the overall fixture aesthetic and are reflected in the published performance data. Please contact your Amerlux representative for explanations of changes.

Mini Cavaletto®

Recessed Adjustable Wall Wash



PROJECT:

TYPE:

Specifications

Application

Retail and commercial wall wash lighting

Construction

Extruded aluminum heatsink
Formed steel trim and upper housing
Thermally protected
Integral Visor (standard)

Optical

Wall wash beam distribution
0-55° tilt

LED

Color Temp Options:

2700K, 3000K, 3500K, 4000K

CRI: 83 typ. (2700K, 3000K, 3500K, 4000K)

90+ typ. (2700K, 3000K)

CrispWhite* LED available

Class A** 3000K (high CRI, high gamut)

R9 Values: 11 (83 CRI), 55 (92 CRI)

Binning: 3 MacAdam (SDCM)

Life: 50,000+ hrs, > 70% of initial lumens at 50,000 hrs

**CrispWhite: CrispWhite Technology delivers the warmth of colors expected from a high 90 CRI solution but also creates the natural crisp white color that is pleasing to the eye. It creates the most impactful lighting ever available, by revealing the richest whites and vibrant colors that pop.*

***Class A LED: Class A LED's have a CRI > 80 and a GAI > 80. CRI defines color "Naturalness" and GAI defines color "Saturation." Both being high delivers rich colors and pure whites.*

Electrical

Wattage: 25, 34, 42, 51

Electronic constant current LED driver, 120/277VAC input

This product complies with IEEE C62.41 for surge endurance up to 2.5KV. Amerlux® recommends using additional surge protection with this unit (supplied by others), surge and over voltage damage is not covered under warranty.

Drivers

LE/TE - Leading Edge, TRIAC, forward phase/Trailing Edge, ELV, reverse phase (standard)

0-10V dimming (42W max) also available

See page 6 for more driver information

Finish

Powder coat paint

Mounting

For use in T-grid or sheetrock ceilings

Housing can be adjusted to accommodate a 2" ceiling max

Adjustable hanger bars included (14 1/2" - 25" std.)

(32"-48" Adjustable hanger bars available, consult factory)

Certifications

CSA damp location approved to UL standards

For indoor use only

Warranty

5 year limited warranty

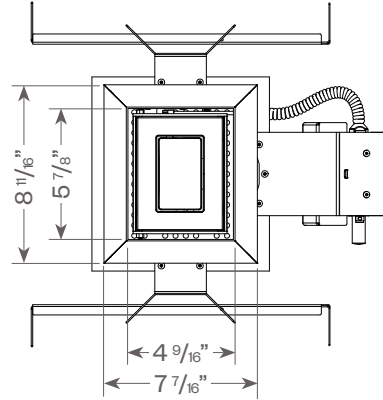
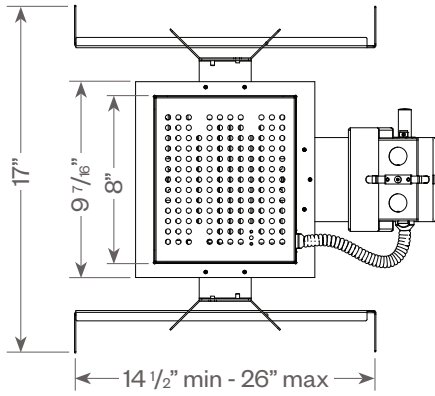
Mini Cavaletto®

Recessed Adjustable Wall Wash

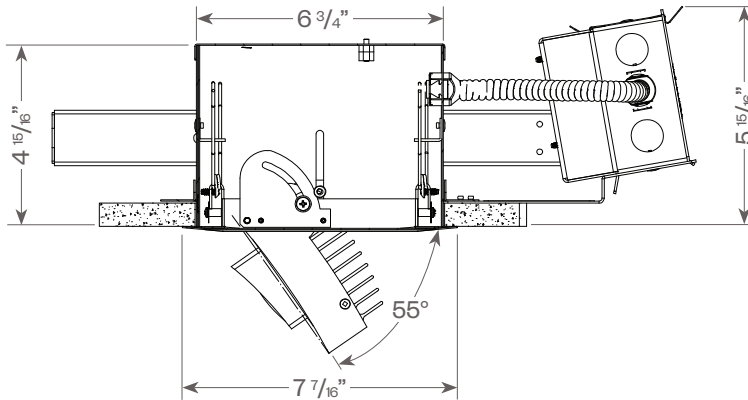


PROJECT:

TYPE:



Ceiling cut out: 6 3/4" x 8"



Mini Cavaletto®

Recessed Adjustable Wall Wash



PROJECT:

TYPE:

DIMMING COMPATIBILITY:

Amerlux® Mini Cavaletto® fixtures are compatible with all major dimming protocols prevalent in the United States. Please see below for general compatibilities and wiring diagrams. Amerlux recommends testing your unique dimming configuration as the exact full configuration (Dimmer, Fixture Quantity, Voltage, etc) may affect dimming performance.

--- NOTE: INFORMATION BELOW IS FOR WIRED DIMMERS ONLY. FOR WIRELESS DIMMERS, CONSULT FACTORY ---

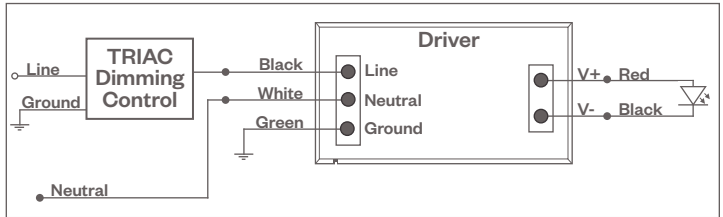
TRIAC (Forward Phase) DIMMING (Standard)

Utilizes "Standard" incandescent dimmers that are in wide use in installations across the US. Best for retrofit applications where TRIAC dimmers are installed.

Notes:

- 120VAC or 277VAC*
- Dims down to less than 5% light output (most cases)
- Consult Dimming manufacturer for installation instructions - DO NOT SHARE NEUTRALS!
- Must meet dimmer Minimum Load Requirements per dimming manufacturer

TRIAC Wiring Diagram



Compatible Dimmers†:

Wall Box (Incandescent Style, Wattage as required)		Central System
Lutron "Diva"	Lutron "Vareo"	Lutron "GP" Panel
Lutron "Nova-T"	Lutron "Skylark"	Lutron Grafik Eye QS
Lutron "Maestro"		

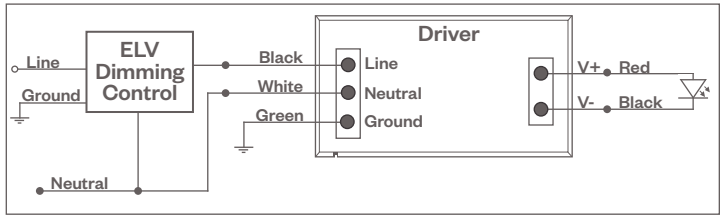
ELV - Electronic Low Voltage (Reverse Phase) DIMMING (Standard)

Utilizes specialized "ELV" dimmers.

Notes:

- 120VAC or 277VAC*
- Dims down to less than 5% light output (most cases)
- Consult Dimming manufacturer for installation instructions - DO NOT SHARE NEUTRALS!
- Must meet dimmer Minimum Load Requirements

ELV Wiring Diagram



Compatible Dimmers†:

Wall Box (ELV Style)		Central System
Lutron "Diva"	Leviton "Surslide"	Lutron "GP" Panel with PHPM-PA Interface
Lutron "Nova-T"	Leviton "Vizio"	Lutron Grafik Eye QS with PHPM-PA Interface
Lutron "Maestro"		
Lutron "Vareo"		
Lutron "Skylark"		

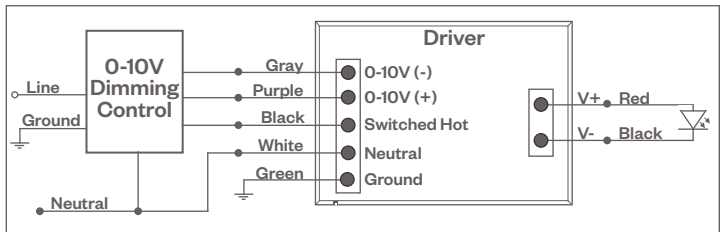
0-10V - DIMMING (-0-10V Option)

Integrates into a variety of building management and daylighting controls

Notes:

- 120VAC or 277VAC*
- Dims down to 1% light output
- Requires interface to turn off power to driver
- Consult Dimming manufacturer for installation instructions - DO NOT SHARE NEUTRALS!

0-10V Wiring Diagram



Compatible Dimmers†:

Wall Box		Central System
Lutron "Diva" - DVTV with PP-120H Interface	Leviton Renoir II 0-10V	Lutron Grafik Eye with GRX-TVI Interface

Notes:

- * Driver is 277VAC dimmable with appropriate dimmer (by others). All provided wiring diagrams show 120VAC wiring colors and method. Please refer to 277VAC dimmer installation instructions for 277VAC wiring diagrams.
- † The absence of a dimmer from the lists above does not imply incompatibility. Please consult factory for compatibility inquiries.