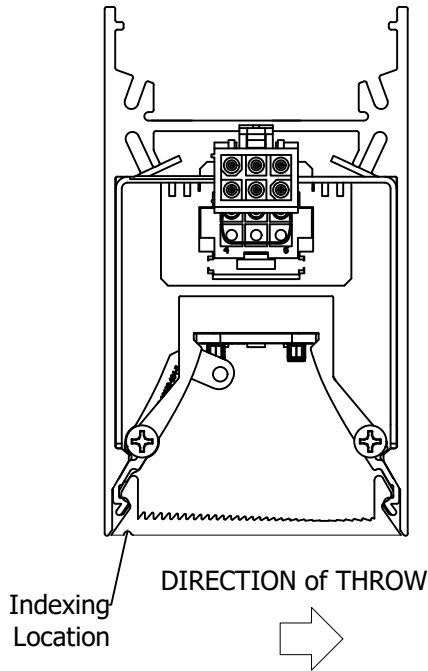


CAR2-D-ASY LENS DIRECTION

WARNING - RISK OF FIRE AND ELECTRICAL SHOCK. FIXTURE MUST BE INSTALLED BY A QUALIFIED ELECTRICIAN ONLY. FIXTURE IS INTENDED FOR INSTALLATION IN ACCORDANCE WITH THE NATIONAL ELECTRICAL CODE, LOCAL AND FEDERAL SPECIFICATIONS. DISCONNECT POWER AT ELECTRICAL PANEL BEFORE SERVICING.
RETAIN THESE INSTRUCTIONS FOR MAINTENANCE REFERENCE.

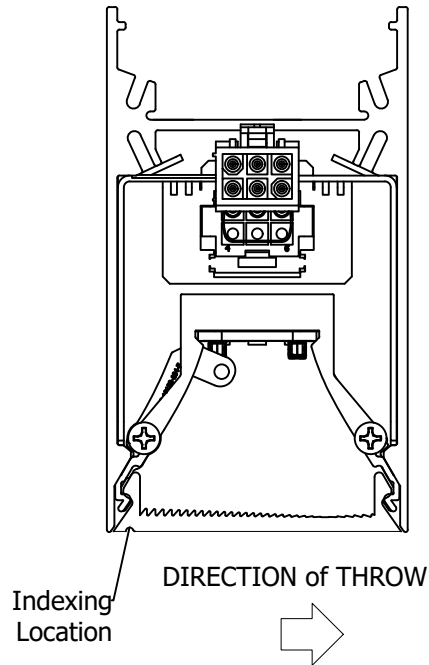
- 1. Locate the indexing notch on the lens.
- 2. Light is thrown away from indexing notch.
- 3. Lens can be removed and reinstalled in desired direction.

**Assembled
Section View**



1. Locate the indexing notch on the lens.
2. Light is thrown away from indexing notch.
3. Lens can be removed and reinstalled in desired direction.

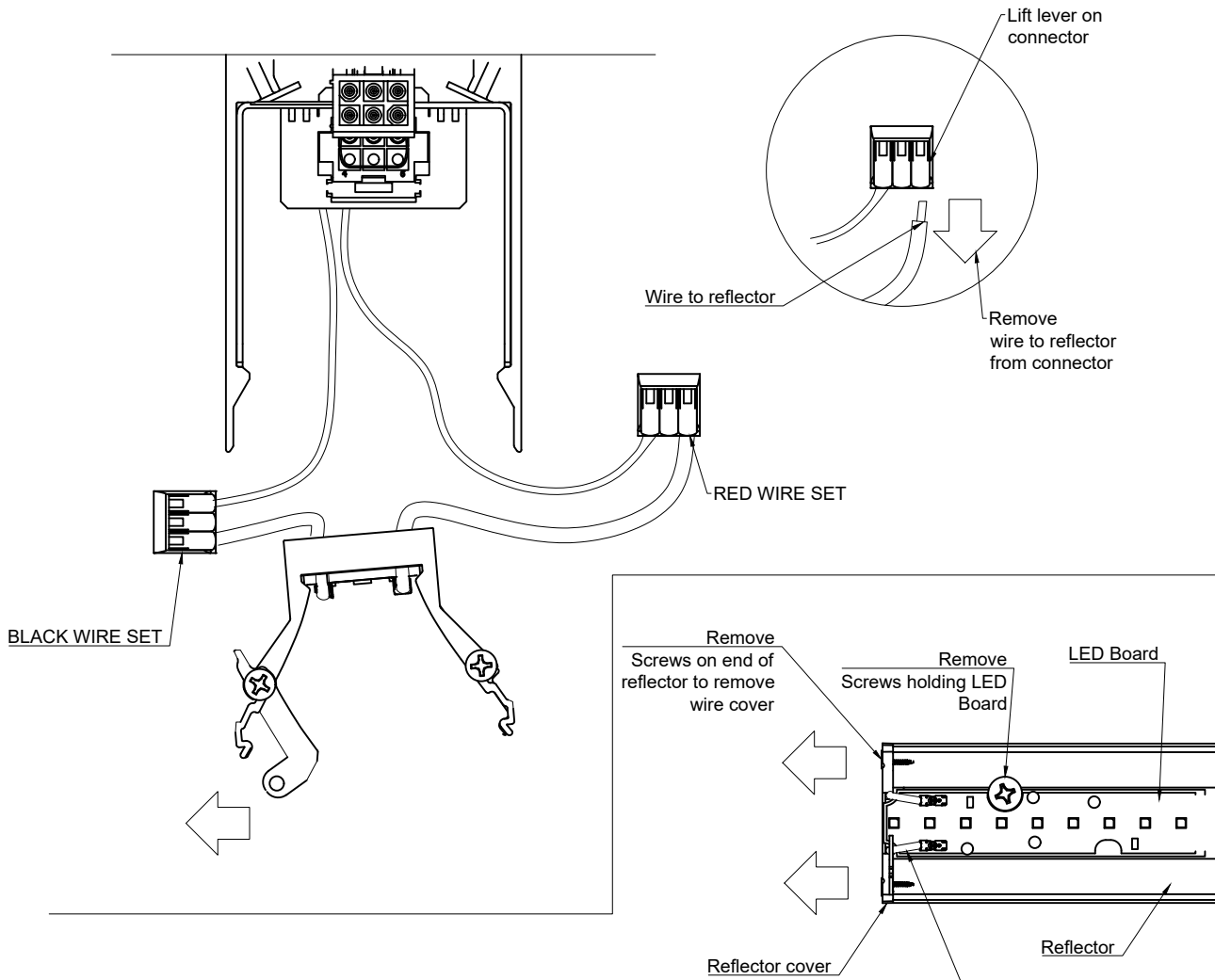
**Assembled
Section View**



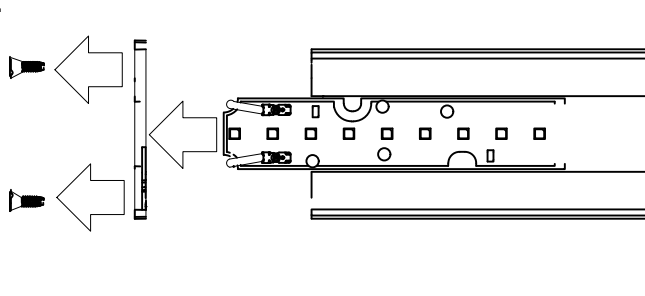
DISCONNECT ALL ELECTRICAL CONNECTIONS BEFORE SERVICING.

Maintenance

Disconnect reflector by removing wires at wago lever connector.



- 1.) Remove screws from Board and end of Reflector holding down reflector end cover.
- 2.) Slide board out and replace with new board. Board information must be provided to manufacturer when placing new order to deliver correct replacement.
- 3.) Follow steps in reverse to reinstall.



DISCONNECT ALL ELECTRICAL CONNECTIONS BEFORE SERVICING.