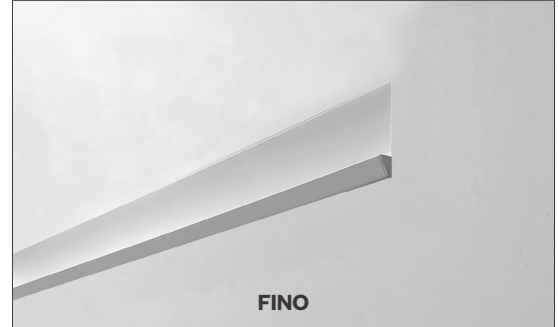


**PROJECT:**

**TYPE:**

### Features

Fino is a stunningly thin, indirect LED lighting solution. At only 5/8" deep and either 6W/ft or 12W/ft, it is designed to promote a crisp, comfortable work environment. Fino runs seamlessly across the walls without the need to cut wall studs, leaving ceilings pristine clean – creating a beautiful visual impression. Fino wall mount is available for mud-in trimless gypsum board installations or exposed flanged for 5/8" gypsum board or millwork.



### Product Overview

Type: Asymmetric, Semi-Recessed Wall Mount, Indirect  
 Wattage: 6W/ft, 12W/ft (*other wattages consult factory*)  
 Color Temp: 2700K, 3000K, 3500K, 4000K  
 CRI: 83 typ. or 90+ typ.  
 Dimming (wired): 0-10V, 1% dim, 120/277VAC (*standard*)  
 Lutron LDE1 Hi-lume<sup>®</sup> 1% Soft-On/Fade-to-Black  
 DALI, 1% dim

### Certifications



### Fixture Summary

#### Performance Data

| Wattage per Foot | Delivered Lumens | LPW   | Color Temp |
|------------------|------------------|-------|------------|
| 6                | 2662             | 120.7 | 3500K-83   |
| 12               | 5075             | 111.8 | 3500K-83   |

*Data is based on 4' fixture with performance lens, 3500K-83 120V IES files available on website.*

#### Runs

Individual Runs: 1.5' - 8' (*to nearest 6"*).  
 Continuous Runs: Available (*to nearest 6"*).

#### Electrical Data

| Wattage per Foot | Voltage | 4'           |      | 8'           |      |
|------------------|---------|--------------|------|--------------|------|
|                  |         | System Watts | Amps | System Watts | Amps |
| 6                | 120V    | 22.1         | 0.18 | 44.2         | 0.37 |
|                  | 277V    | 22.1         | 0.08 | 44.2         | 0.16 |
| 12               | 120V    | 45.4         | 0.38 | 90.8         | 0.76 |
|                  | 277V    | 45.4         | 0.16 | 90.8         | 0.33 |

*Electronic multi-volt (120-277VAC), constant current LED driver.*

PROJECT:

TYPE:

### Ordering Information

| 120/277  |  |  |   |  |                             |   |  |   |
|--|--|--|---|--|-----------------------------|---|--|---|
| 1  | 2  | 3  | 4   | 5  | 6                           | 7   | 8  | 9   |
| <b>1 Model</b><br><b>FINO-A16<sup>†</sup></b> ( <i>gyp board, trimless mud-in</i> )<br><b>FINO-REMOTE-A16<sup>†</sup></b> ( <i>gyp board, trimless mud-in, remote driver</i> )<br><b>FINO-FLG-A16<sup>†</sup></b> ( <i>exposed flange</i> )<br><b>FINO-FLG-REMOTE-A16<sup>†</sup></b> ( <i>exposed flange, remote driver</i> ) | <b>2 Optics</b><br><b>PL</b> performance lens ( <i>standard</i> )<br><b>DL</b> designer lens | <b>3 Wattage (per foot)</b><br><b>6</b> 6W/ft<br><b>12</b> 12W/ft<br><i>Consult factory for other wattage options.</i> | <b>4 Color Temp</b><br>83 CRI      90+ CRI*<br><b>27</b> 2700K-83 <b>279</b> 2700K-90+<br><b>30</b> 3000K-83 <b>309</b> 3000K-90+<br><b>35</b> 3500K-83 <b>359</b> 3500K-90+<br><b>40</b> 4000K-83 <b>409</b> 4000K-90+<br><i>* Consult factory for lead times.</i> | <b>5 Finish</b><br>For Mud-in Version<br><b>HW</b> high reflectance matte white<br><br>For Flanged Version<br><b>HW</b> high reflectance matte white<br><b>BT*</b> black texture for exposed flange only<br><b>ST*</b> silver texture for exposed flange only<br><i>* Reflector is always painted HW (high reflectance white).</i> | <b>6 Voltage</b><br>120/277 | <b>7 Length</b><br>_____ specify length<br><i>(for individual fixture, 1.5' to 8' in 6" increments)</i><br><i>(for continuous run, specify to nearest 6")</i> | <b>8 Configuration</b><br><b>IND<sup>1</sup></b> individual fixture, 1.5' to 8' in 6" increments<br><b>CON</b> continuous run > than 8', specify to nearest 6" | <b>9 Drivers</b><br><b>O-10V</b> 1% electronic dimming, multi-volt 120-277VAC constant current driver ( <i>standard</i> )<br><i>Consult factory for the following options</i><br><b>HILUME-H-ECO</b> Lutron LDE1 Hi-lume® 1% dim Soft-On/Fade-to-Black<br><b>DALI</b> DALI dimming 120-277VAC, 1% dim |

1 - Lengths less than 4' may have restrictions based upon wattage, lengths, drivers or other options.

† The "A" refers to the sequential revision in a year and "XX" refers to the year of update. Updates coincide with improved performance while not changing the overall fixture aesthetic and are reflected in the published performance data. Please contact your Amerlux representative for explanations of changes.

PROJECT:

TYPE:

## Specifications

### Application

Fino Wall mount throws light across the ceiling filling the room with indirect bounce light. Can be mounted to wash floor as well. Indirect lighting for washing ceiling or floor, brightens surfaces in otherwise difficult applications.

### Construction

Two piece assembly:

- 1) Extruded aluminum mud-in or exposed no spackle frame and sheet metal die-formed gear tray.
- 2) Snap-in Reflector extruded aluminum optical assembly.

Positive latching system for hairline seams.

### Optical

All lenses are snap-in, extruded acrylic. Amerlux's proprietary acrylic lens provides excellent transmission while effectively concealing source image.

**PL** - Performance Lens is a high efficiency asymmetric throw lens.

**DL** - Designer Lens provides more even light with minimal striations.

### LED

Amerlux's boards and patented connector design with brand name LEDs enables Amerlux fixtures to have excellent thermal management and offer a 5 year warranty. Our LED binning is within 3 MacAdam ellipse. Boards are configured for maximum flexibility resulting in even illumination no matter the fixture layout. LED boards are easily replaced in the field with just a Phillips screw driver.

**Color Temperature Options:** 2700K, 3000K, 3500K, 4000K

**CRI:** 83 typical, 90+ (consult factory for lead times)

**R9:** 16 @ CRI 83; **R9:** >50 @ CRI 92

**Life:** 50,000+ hr., > 70% of initial lumens (L70)

### Electrical

**Wattage:** 6W/ft, 12W/ft (consult factory for other wattages).

**Wiring** (see page 6 for wiring illustrations):

**Integral Driver** uses Standard Driver enclosure (on the back of fixture). It is adjusted for installation in between 16" o.c. or greater wall studs. 1 or 2 drivers per fixture required based upon Wattage and Length (see table 1 pg 4). Line voltage Power Feed (by others) must be brought to each Driver enclosure. Fixtures with multiple drivers are not connected internally.

**REMOTE Driver** (optional) requires a remote driver with enclosure. 1 or 2 drivers per fixture are required based upon Wattage and Length.

**Note: (1) Driver per enclosure.**

Fixtures are provided with low voltage plenum rated 18/2 cable for field connection (by others) to Remote Driver. Remote Driver can be mounted anywhere within 25'.

**Short Runs:** Multiple short fixture lengths can be wired (daisy chained) to a single Remote Driver. Cumulative Fixture lengths must equal the MIN Length per Driver criteria and be dividable by 6". (see Table 2 page X). We suggest limiting number of short runs to 3 per remote driver.

**Consult factory for additional remote driver requirements not shown**

Emergency circuit via remote inverter or auxiliary emergency power supply (by others).

**This product complies with IEEE C62.41 for surge endurance up to 2.5KV.**

**Amerlux® recommends using additional surge protection with this unit (supplied by others), surge and over voltage damage is not covered under warranty.**

### Drivers

**O-10V** - 1% electronic dimming, multi-volt (120-277VAC) constant current driver (standard). Cap leads for non-dim applications.

**Optional Drivers:**

**HILUME-H-ECO** - Lutron LDE1 Hi-lume® 1% Soft-On/Fade-to-Black

**DALI** - DALI Dimming 120-277VAC, 1% dim

**Note: Driver is accessible by removing snap-in reflector assembly.**

### Finish

Powder coat paint, baked on finish for maximum durability and color stability.

**HW** - High reflectance matte white.

**BT** - Black Texture (frame)

**ST** - Silver Texture (frame)

**Please note: Reflector will be painted HW (high reflectance white, for predictable performance. Exposed flange frame may be painted BT or ST).**

### Configurations/Lengths

Straight lengths only.

**IND** - Individual fixtures are made of single standard lengths of 1.5' to 8' (in 6" increments). These are stand alone fixtures. Lengths less than 4' may have restrictions based upon wattage, lengths, drivers or other options.

**CON** - Continuous runs, > than 8', specified to nearest 6" increments.

Each Housing/mud-in frame has factory installed alignment pins. Mating frames are easily aligned and joined with "catch and latch" mechanisms.

### Mounting

**FINO-A16** - Gypsum board mud-in only.

**FINO-REMOTE-A16** - Gypsum board mud-in with remote driver enclosure.

**FINO-FLG-A16** - Exposed flanged for gypsum board or millwork.

**FINO-FLG-REMOTE-A16** - Exposed flanged for gypsum board or millwork with remote driver enclosure.

### Certifications

Approved to UL standards for damp locations as tested by CSA.

Intended for indoor use only

IC rated

### Warranty

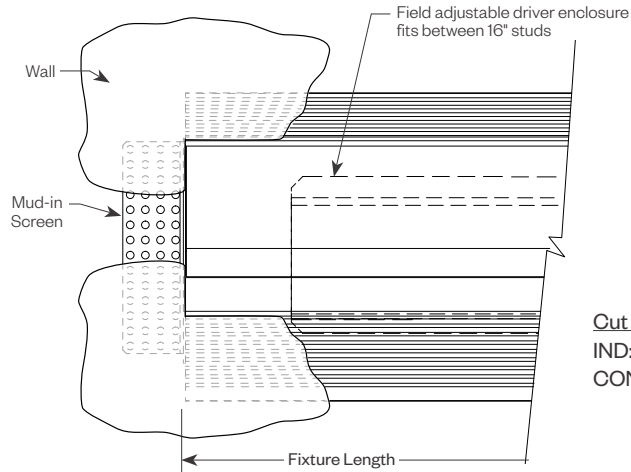
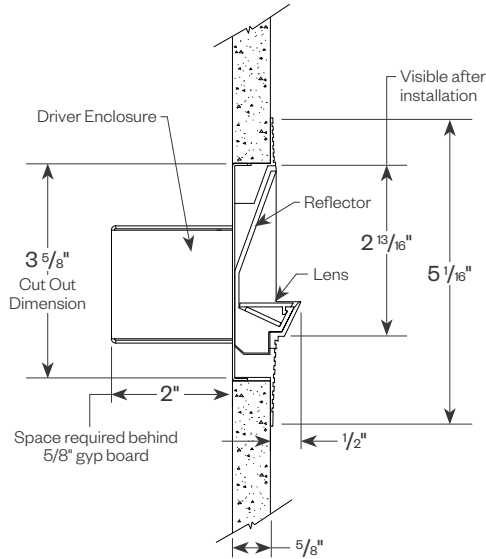
Amerlux's 5 year limited warranty. Please consult Amerlux website for details.

PROJECT:

TYPE:

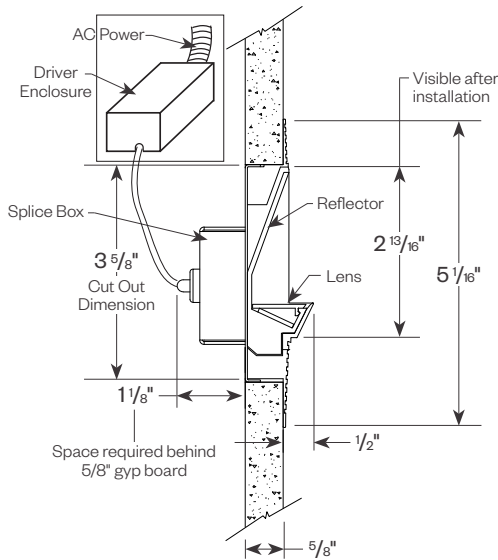
### Product Details

#### FINO-A16

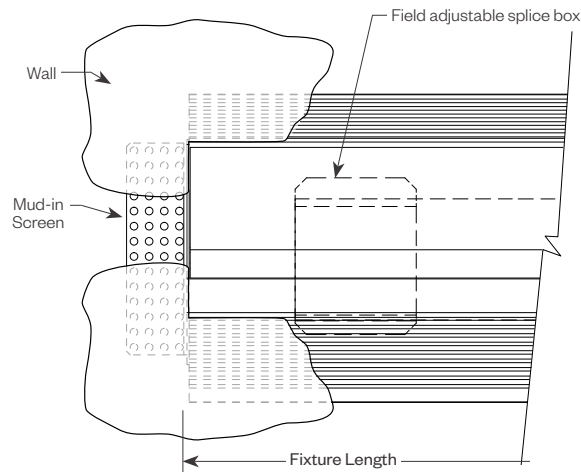


Cut Out Dimensions:  
 IND: 3 5/8" x fixture length + 1/16"  
 CON: 3 5/8" x fixture length + 1"

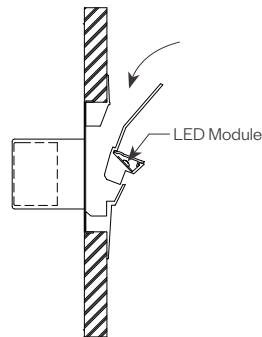
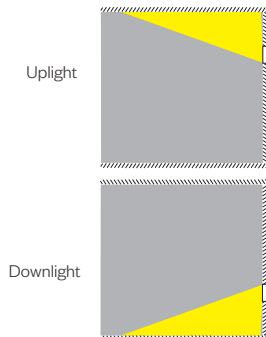
#### FINO-REMOTE-A16 (FINO with REMOTE DRIVER)



Note: Remote driver can be installed up to 25' max. from fixture.



Cut Out Dimensions:  
 IND: 3 5/8" x fixture length + 1/16"  
 CON: 3 5/8" x fixture length + 1"

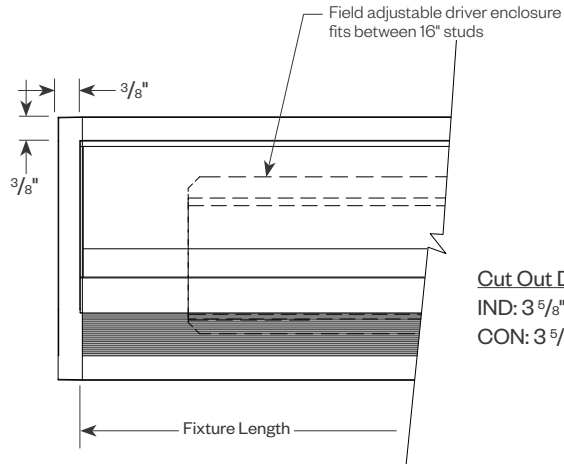
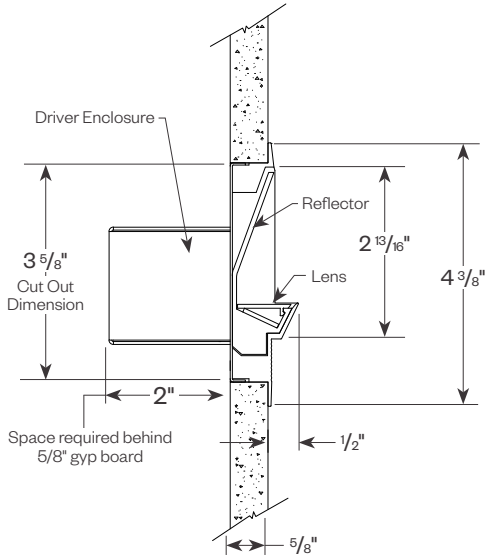


PROJECT:

TYPE:

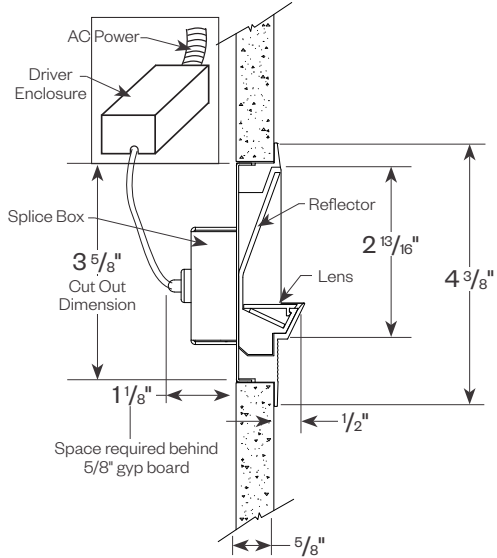
**Product Details** (continued)

**FINO-FLG-A16 (FINO FLANGE)**

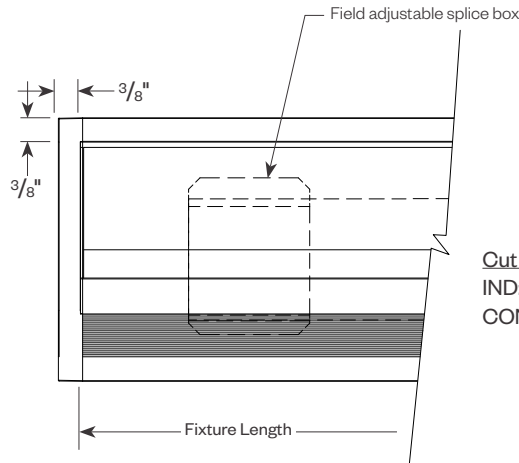


**Cut Out Dimensions:**  
 IND:  $3 \frac{5}{8}'' \times \text{fixture length} + \frac{3}{16}''$   
 CON:  $3 \frac{5}{8}'' \times \text{fixture length} + \frac{3}{8}''$

**FINO-FLG-REMOTE-A16 (FINO FLANGE with REMOTE DRIVER)**



**Note:** Remote driver can be installed up to 25' max. from fixture.



**Cut Out Dimensions:**  
 IND:  $3 \frac{5}{8}'' \times \text{fixture length} + \frac{3}{16}''$   
 CON:  $3 \frac{5}{8}'' \times \text{fixture length} + \frac{3}{8}''$

**PROJECT:**

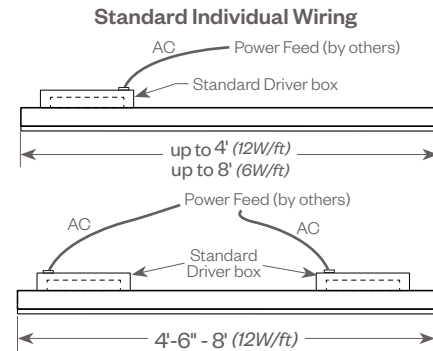
**TYPE:**

### Driver Information

**Integral Driver** (for every fixture section) located on the back of fixture is field adjusted for installation in between wall studs. 1 or 2 drivers per fixture required (see table 1). Line voltage Power Feed (by others) must be brought to each Driver enclosure.

Table 1

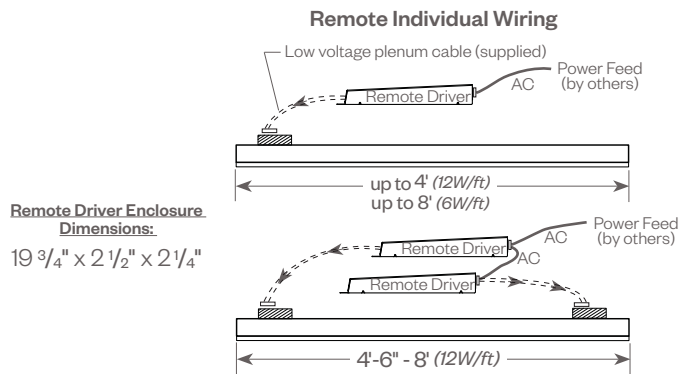
| Driver | W/ft | Min. Length | Max. Driver |    |
|--------|------|-------------|-------------|----|
|        |      |             | 1           | 2  |
| 0-10V  | 6W   | 1'-6"       | 8'          | x  |
|        | 12W  | 1'-6"       | 4'          | 8' |
| Lutron | 6W   | 2'-6"       | 8'          | x  |
|        | 12W  | 1'-6"       | 4'          | 8' |
| DALI   | 6W   | 1'-6"       | 8'          | x  |
|        | 12W  | 1'-6"       | 4'          | 8' |



**Remote Driver** (for every fixture section, optional) requires an enclosure. 2 drivers per fixture may be required see Table 2. **Note: (1) Driver per enclosure.** Fixtures are provided with low voltage plenum rated 18/2 cable for field connection (by others). Remote driver max distances are listed on Table 2.

Table 2

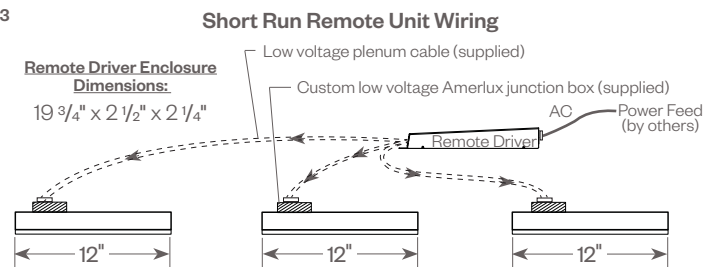
| Driver | W/ft | Min. Length | Max. Driver |    | Max. Remote     |
|--------|------|-------------|-------------|----|-----------------|
|        |      |             | 1           | 2  | Driver Distance |
| 0-10V  | 6W   | 1'-6"       | 8'          | x  | 25'             |
|        | 12W  | 1'-6"       | 4'          | 8' | 25'             |
| Lutron | 6W   | 2'-6"       | 8'          | x  | 25'             |
|        | 12W  | 1'-6"       | 4'          | 8' | 25'             |
| DALI   | 6W   | 1'-6"       | 8'          | x  | 25'             |
|        | 12W  | 1'-6"       | 4'          | 8' | 25'             |



**Short Runs** (on one remote driver): multiple short fixture lengths can be wired (daisy chained) to a single Remote Driver. Cumulative fixture lengths must equal the MIN length per Driver criteria and be divisible by 6". (see Table 3)

Table 3

| Driver | W/ft | Min. Length | # of Drivers | 6" Section | 12" Section |
|--------|------|-------------|--------------|------------|-------------|
| 0-10V  | 6W   | 1'-6"       | 1            | 3          | 0           |
|        | 12W  | 1'-6"       | 1            | 1          | 1           |
| Lutron | 6W   | 2'-6"       | 1            | 1          | 2           |
|        |      | 1'-6"       | 1            | 3          | 0           |
|        | 12W  | 1'-6"       | 1            | 1          | 1           |
| DALI   | 6W   | 2'-6"       | 1            | 1          | 2           |
|        |      | 1'-6"       | 1            | 3          | 0           |
|        | 12W  | 1'-6"       | 1            | 1          | 1           |



**Note: Consult factory for additional remote driver requirements not shown.**

**PROJECT:**

**TYPE:**

### Performance Data

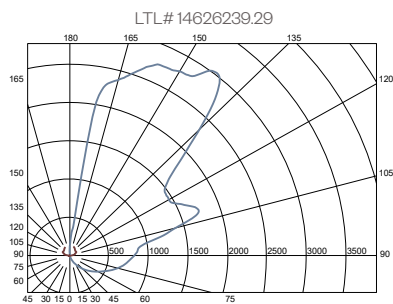
**Multiplying Factors:** (Multiplying Factor is based on 3500K-83 120V IES file on website)

|                 |           |            |
|-----------------|-----------|------------|
| <b>Wattage:</b> | <b>6W</b> | <b>12W</b> |
| Factor:         | 0.52      | 1.0        |

|             |                 |                 |                 |                 |                  |                  |                  |                  |
|-------------|-----------------|-----------------|-----------------|-----------------|------------------|------------------|------------------|------------------|
| <b>CCT:</b> | <b>2700K-83</b> | <b>3000K-83</b> | <b>3500K-83</b> | <b>4000K-83</b> | <b>2700K-90+</b> | <b>3000K-90+</b> | <b>3500K-90+</b> | <b>4000K-90+</b> |
| Factor:     | 0.91            | 0.96            | 1.0             | 1.01            | 0.80             | 0.84             | 0.88             | 0.89             |

#### FINO PERFORMANCE LENS 12W 3500K-83 4FT

Total Watts: 45  
 Total Lumens: 5075 (1269 lm/ft)  
 Source: 96 White LED's



#### ZONAL LUMEN SUMMARY

| Zone   | Lumens | %Fixt |
|--------|--------|-------|
| 0-40   | 42     | 0.8   |
| 0-60   | 188    | 3.7   |
| 0-90   | 764    | 15.0  |
| 90-180 | 4311   | 85.0  |

**Efficacy = 111.8 lumens /Watt**

#### COEFFICIENTS OF UTILIZATION - ZONAL CAVITY METHOD

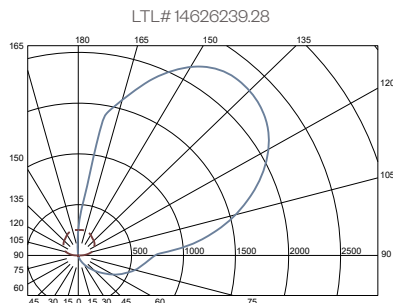
Effective Floor Cavity Reflectance 20%

| RC  | 80 |    |    |    |
|-----|----|----|----|----|
| RW  | 70 | 50 | 30 | 10 |
| ROR |    |    |    |    |
| 0   | 99 | 99 | 99 | 99 |
| 1   | 88 | 82 | 78 | 74 |
| 2   | 79 | 71 | 64 | 58 |
| 3   | 71 | 61 | 54 | 48 |
| 4   | 65 | 54 | 46 | 40 |
| 5   | 59 | 47 | 39 | 33 |
| 6   | 54 | 42 | 34 | 28 |
| 7   | 50 | 38 | 30 | 24 |
| 8   | 46 | 34 | 26 | 21 |
| 9   | 43 | 31 | 23 | 18 |
| 10  | 40 | 28 | 21 | 16 |

Note: Values expressed as % of total lumen output delivered to the task surface.

#### FINO DESIGNER LENS 12W 3500K-83 4FT

Total Watts: 45  
 Total Lumens: 4515 (1129 lm/ft)  
 Source: 96 White LED's



#### ZONAL LUMEN SUMMARY

| Zone   | Lumens | %Fixt |
|--------|--------|-------|
| 0-40   | 33     | 0.7   |
| 0-60   | 152    | 3.4   |
| 0-90   | 665    | 14.7  |
| 90-180 | 3851   | 85.3  |

**Efficacy = 99.5 lumens /Watt**

#### COEFFICIENTS OF UTILIZATION - ZONAL CAVITY METHOD

Effective Floor Cavity Reflectance 20%

| RC  | 80 |    |    |    |
|-----|----|----|----|----|
| RW  | 70 | 50 | 30 | 10 |
| ROR |    |    |    |    |
| 0   | 99 | 99 | 99 | 99 |
| 1   | 87 | 82 | 78 | 74 |
| 2   | 79 | 71 | 64 | 58 |
| 3   | 71 | 61 | 54 | 48 |
| 4   | 65 | 54 | 46 | 39 |
| 5   | 59 | 47 | 39 | 33 |
| 6   | 54 | 42 | 34 | 28 |
| 7   | 50 | 38 | 30 | 24 |
| 8   | 46 | 34 | 26 | 21 |
| 9   | 43 | 31 | 23 | 18 |
| 10  | 40 | 28 | 21 | 16 |

Note: Values expressed as % of total lumen output delivered to the task surface.

**PROJECT:**

**TYPE:**

### Dimming Compatibility

Amerlux® Fino® fixtures are compatible with all major dimming protocols prevalent in the United States. Please see below for general compatibilities and wiring diagrams. Amerlux recommends testing your unique dimming configuration as the exact full configuration (*Dimmer, Fixture Quantity, Voltage, etc*) may affect dimming performance.

**--- NOTE: INFORMATION BELOW IS FOR WIRED DIMMERS ONLY. FOR WIRELESS DIMMERS, CONSULT FACTORY ---**

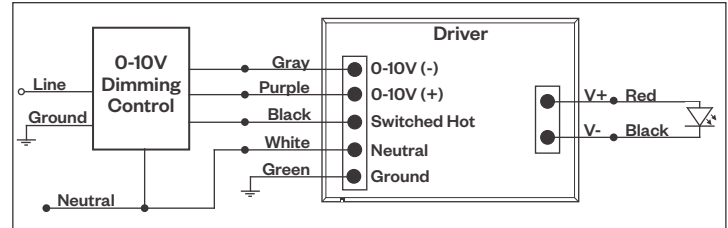
#### 0-10V - DIMMING (Standard)

Integrates into a variety of building management and daylighting controls

**Notes:**

- 120V or 277V\*
- Dims down to 1% light output
- Requires interface to turn off power to driver
- Consult Dimming manufacturer for installation instructions - **DO NOT SHARE NEUTRALS!**

#### 0-10V Wiring Diagram



| Compatible Dimmers*: |              |                |
|----------------------|--------------|----------------|
| Wall Box             |              | Central System |
| Lutron:              | Wattstopper: | Leviton:       |
| Diva - DVSTV         | ADF-120277   | Renoir II      |
| Maestro - MS-Z101    |              |                |
| Nova-T - NTSTV-DV    |              |                |

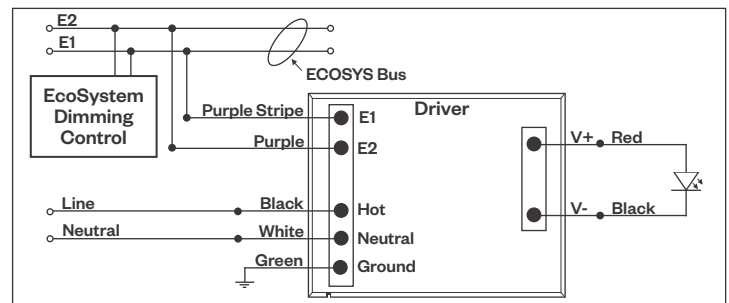
#### LUTRON LDE1 DIMMING

Integrates into Lutron EcoSystem building management

**Notes:**

- 120VAC or 277VAC\*
- Dims down to 1% Soft-On/Fade-to-Black
- EcoSystem Control
- Consult Dimming manufacturer for installation instructions - **DO NOT SHARE NEUTRALS!**

#### LDE1 (HILUME-H-ECO) EcoSystem Digital Control Wiring Diagram



| Compatible Dimmers*:    |                                      |
|-------------------------|--------------------------------------|
| Lutron ECO System       | Central System                       |
| Pow Pak Dimming Modules | Lutron EcoSystem compatible controls |
| Energi Savr Node        |                                      |
| Grafik Eye QS/Homeworks |                                      |
| QS Control Unit         |                                      |
| Quantum Hub             |                                      |
| Homeworks QS/My Room    |                                      |

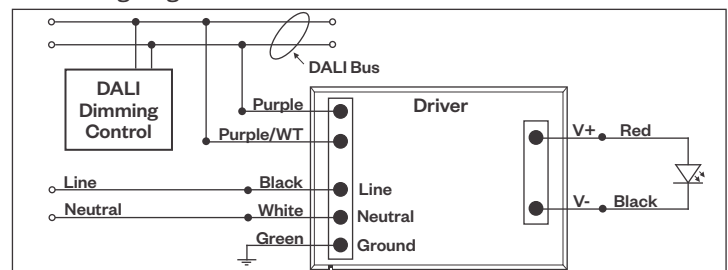
#### DALI - DALI DIMMING 120V-277V

Digital control protocol allows individual fixture control

**Notes:**

- 120VAC - 277VAC\*
- Dims down to 1% light output in most cases

#### DALI Wiring Diagram



| Compatible Dimmers*:     |                |
|--------------------------|----------------|
| Wall Box                 | Central System |
| Leviton CD250 Controller | Dynalite       |
|                          | Fifth Light    |

**Notes:**  
 \* Driver is 277VAC dimmable with appropriate dimmer (*by others*). All provided wiring diagrams show 120VAC wiring colors and method. Please refer to 277VAC dimmer installation instructions for 277VAC wiring diagrams.  
 † The absence of a dimmer from the lists above does not imply incompatibility. Please consult factory for compatibility inquiries.