



INSTALLATION INSTRUCTIONS

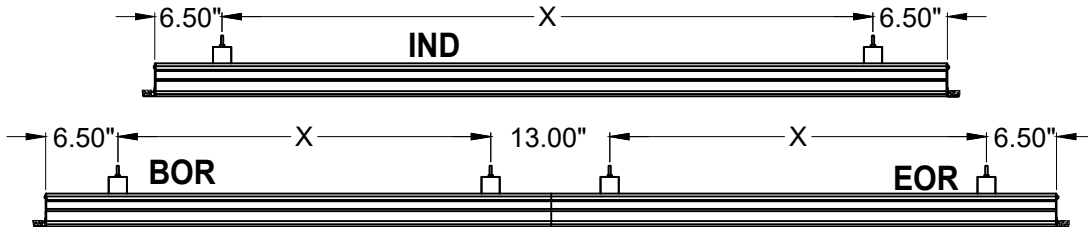
**GRUV4-HE-FLANGE, GRUV6-HE-FLANGE
GYP BOARD CEILING, GRID CEILING**

(SHEET 1) GB LED
(SHEET 2) FLG-GRID LED
(SHEET 3) Joining, maintenance
(SHEET 4) Wall-Ceiling

DWG.# 689-0498
pg. 1 of 4

**WARNING - RISK OF FIRE AND ELECTRICAL SHOCK. FIXTURE MUST BE INSTALLED BY A QUALIFIED ELECTRICIAN ONLY. FIXTURE IS INTENDED FOR INSTALLATION IN ACCORDANCE WITH THE NATIONAL ELECTRICAL CODE, LOCAL AND FEDERAL SPECIFICATIONS. DISCONNECT POWER AT ELECTRICAL PANEL BEFORE SERVICING.
RETAIN THESE INSTRUCTIONS FOR MAINTENANCE REFERENCE.**

Suspension Points

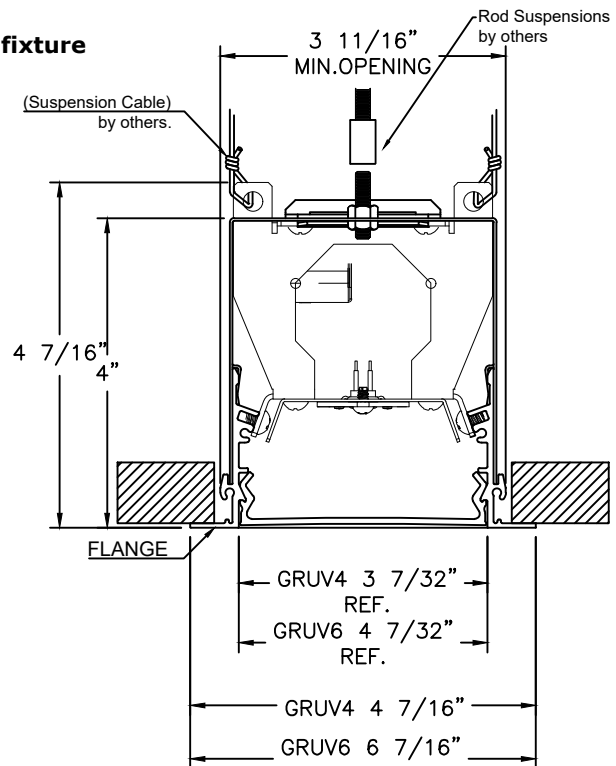


Example of a continuous row

Individual Installation - Gypsum board (GB) ceiling

FIXTURES TO BE INSTALLED PER NEC "MEANS OF SUPPORT AND ALL FEDERAL, NATIONAL AND LOCAL BUILDING CODES.
FIXTURE MUST BE INSTALLED BEFORE CEILING SYSTEM.

Shown: hanging the fixture via threaded rods.

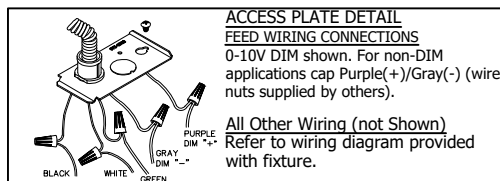


Contractor's responsibility to hold these dimensions before & after installation.

1. FIXTURE TO BE INSTALLED BEFORE CEILING.
2. LIFT FIXTURE INTO PLACE. HANDLE FIXTURE CAREFULLY TO AVOID BOWING AND/OR FIXTURE DISTORTION. INSTALLED FIXTURE TO BE LEVELED TO GYPSUM BOARD CEILING.
3. E.C. TO SECURE FIXTURE PER NEC CODE, VIA THREADED RODS, WIRE TIES OR OTHER MEANS (HARDWARE SUPPLIED BY E.C.).
4. TURN POWER OFF AT ELECTRICAL PANEL. REMOVE ACCESS PLATE ON TOP OF HOUSING FOR INDIVIDUAL FIXTURE, OR BOR-BEGINNING OF ROW FOR CONTINUOUS ROWS FIXTURE. KNOCK OUT K.O. AS REQUIRED, MAKE ELECTRICAL CONNECTIONS (SEE ACCESS PLATE DETAIL).
5. RE-INSTALL ACCESS PLATE TO HOUSING.
6. FOR CONTINUOUS ROWS INSTALL BOR-BEGINING OF ROW MOR-MIDDLE OF ROW AND EOR-END OF ROW FIXTURE SECTION PER PLAN.
7. FOR SINGLE CIRCUIT CONNECT THRU WIRING HARNESS FOR ALL FIXTURES. INSTALL ANY ADDITIONAL FEEDS AND DEAD-END CIRCUITS AS REQUIRED.
8. INSTALL AND SECURE GYPSUM BOARD CEILING.
9. TURN ON POWER.

See wiring schematic provided with fixture for wire colors and their specific functions as different fixture options may use wires for different purposes. **DO NOT CONNECT CONTROL WIRES TO LINE VOLTAGE.** Amerlux is not liable for damage due to miswiring.

Contact factory with any questions.

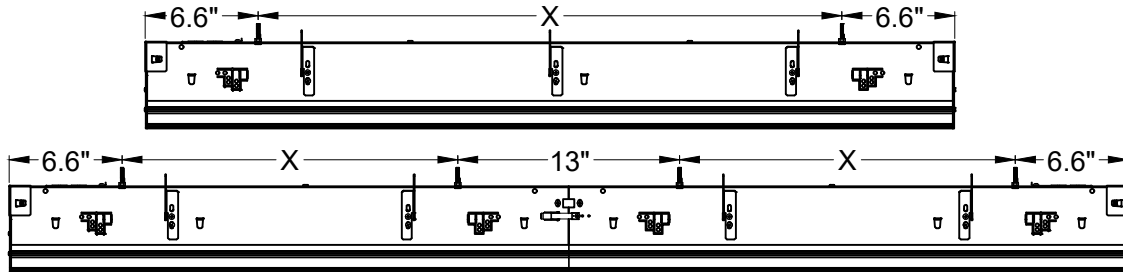


ACCESS PLATE DETAIL FEED WIRING CONNECTIONS
0-10V DIM shown. For non-DIM applications cap Purple(+)/Gray(-) (wire nuts supplied by others).
All Other Wiring (not Shown)
Refer to wiring diagram provided with fixture.

This product complies with IEEE C62.41 for surge endurance up to 3kV. Amerlux recommends using additional surge protection with this unit (supplied by others), surge damage is not covered by warranty.

To prevent possible LED damage always wear properly connected ESD (electrostatic discharge) wrist strap while servicing LED components.

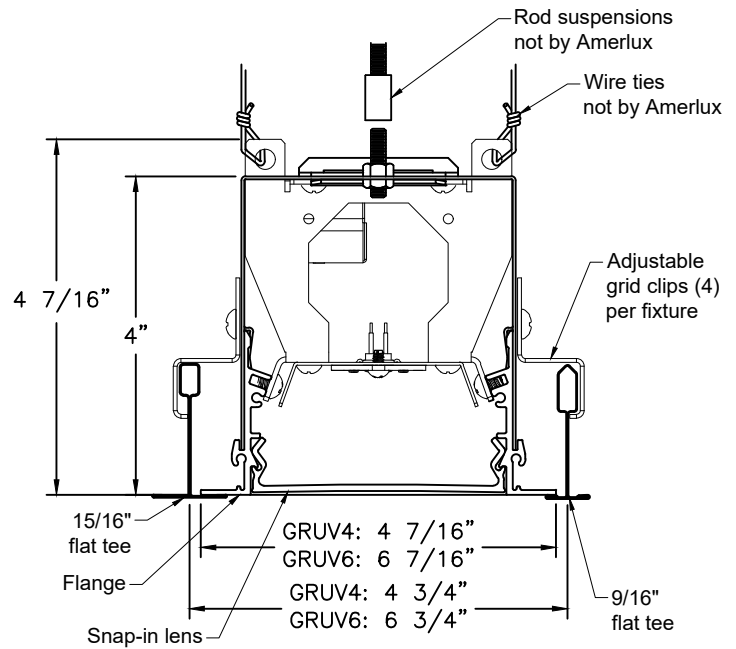
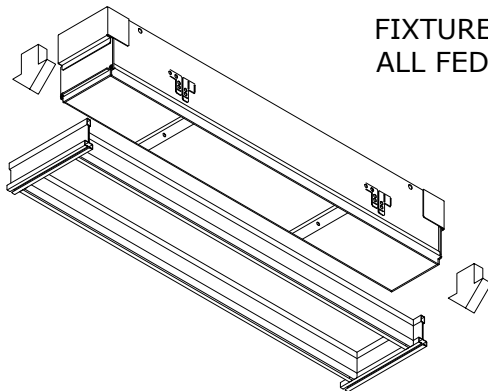
Suspension Points



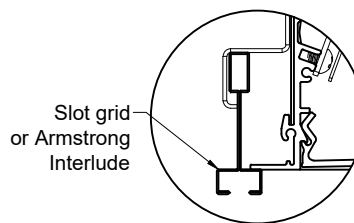
Example of a continuous row

Individual Installation - Flange-Grid fixture

FIXTURES TO BE INSTALLED PER NEC "MEANS OF SUPPORT" AND ALL FEDERAL, NATIONAL AND LOCAL BUILDING CODES.

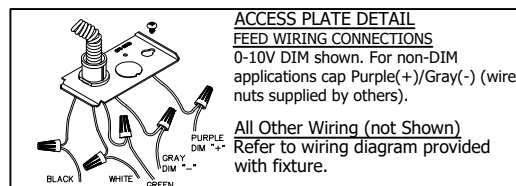


1. CEILING GRID TO BE INSTALLED (BY OTHERS)
2. LIFT FIXTURE INTO PLACE IN CEILING GRID, HANDLE FIXTURE CAREFULLY TO AVOID BOWING AND/OR FIXTURE DISTORTION. INSTALL FIXTURE INTO CEILING GRID, MAKING SURE FIXTURE FLANGE RESTS ON CEILING GRID. SECURE ADJUSTABLE GRID CLIPS AS SHOWN, (4) PER FIXTURE.
- 4.) E.C. TO SECURE FIXTURE PER NEC CODE VIA THREADED ROD, WIRE TIES OR OTHER MEANS (HARDWARE SUPPLIED BY E.C.)
- 5.) MAKE SURE POWER IS OFF AT ELECTRICAL PANEL. REMOVE ACCESS PLATE ON TOP OF HOUSING. KNOCK OUT K.O. AS REQUIRED, MAKE ELECTRICAL CONNECTIONS (SEE ACCESS PLATE DETAIL PAGE 1)
- 6.) RE-INSTALL ACCESS PLATE TO HOUSING.



See wiring schematic provided with fixture for wire colors and their specific functions as different fixture options may use wires for different purposes. **DO NOT CONNECT CONTROL WIRES TO LINE VOLTAGE.**
Amerlux is not liable for damage due to miswiring.

Contact factory with any questions.

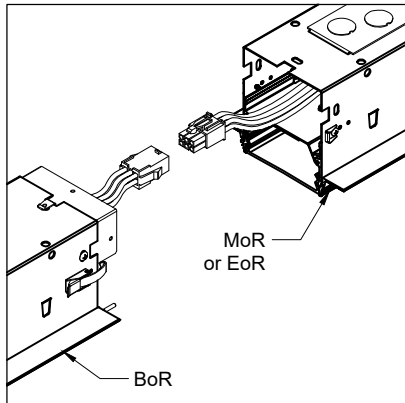


This product complies with IEEE C62.41 for surge endurance up to 3KV. Amerlux recommends using additional surge protection with this unit (supplied by others), surge damage is not covered by warranty.

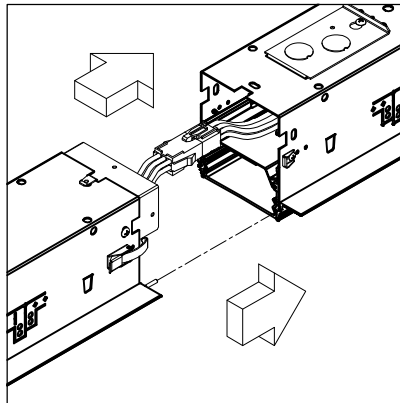
To prevent possible LED damage always wear properly connected ESD (electrostatic discharge) wrist strap while servicing LED components.



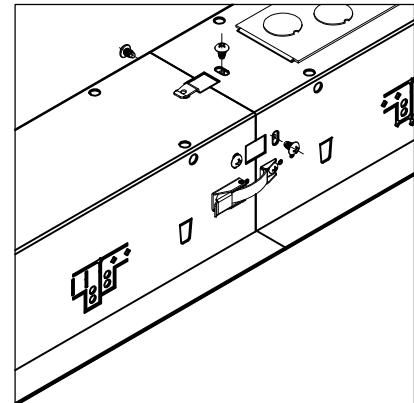
Assembling Continuous Rows- (All fixtures must be fully supported by rod or wire ties.)



A: Connect fixture to previous fixtures power via quick connect.



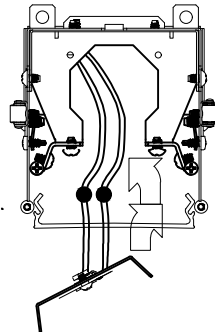
B: Line up the fixtures using alignment pins. When fixtures are aligned, secure with Catch / Latch.



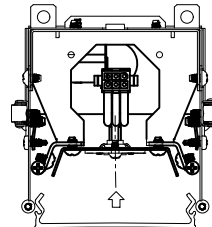
C: Once latched, secure fixture with #8-32 screws.

Maintenance -

Reflectors do not have to be removed except for driver replacement or other maintenance. Disconnect power before servicing. To assemble (disassembly in reverse order as applicable):



1. Connect LED wiring harness (Red/Black).
2. Insert reflector by tilting it into housing (caution: do not pinch wires.)



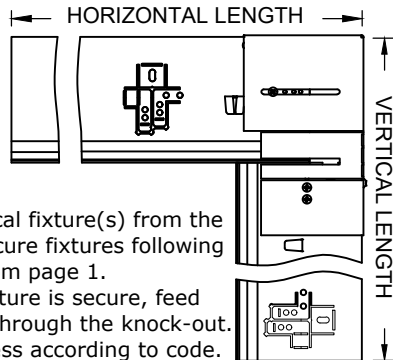
3. Secure reflector to upper area of extrusion via 8-32 screws.
4. Install lens. Starting at (1) end, squeeze lens legs IN to snap LENS in place, and continue pressing upwards across the length of the fixture until lens is secure.

MAKE SURE TO DISCONNECT ALL ELECTRICAL CONNECTIONS BEFORE SERVICING.

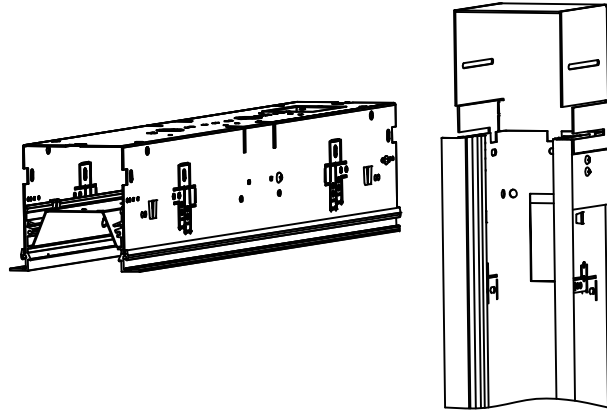
WARNING: Electrostatic and polarity sensitive device. Use caution while handling and wiring.

- 1.) LED Fixture: Consult Amerlux for LED maintenance.
- 2.) LED Replacement: For LED board replacement reference 689-0394 Instruction Sheet
- 3.) Driver maintenance: Drivers are located on tray beneath indirect reflectors. Remove reflector mounting screws to access. For programmable driver replacement please specify: **Manufacturer, Model No. and Current Setting** (mA). See 710-0134 Wiring Schematic for more details.

Wall/Ceiling Corner Installation

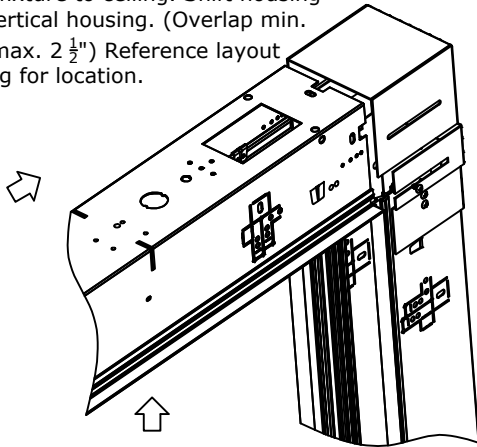


1. Install Vertical fixture(s) from the ground up. Secure fixtures following instructions from page 1.
2. Once the fixture is secure, feed power source through the knock-out. Splice to harness according to code.

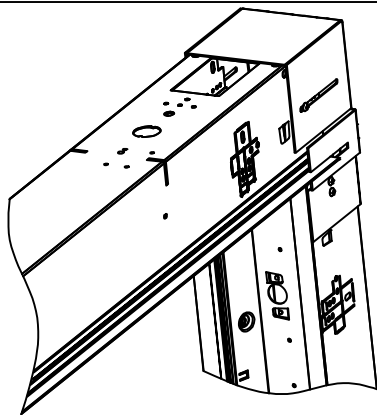
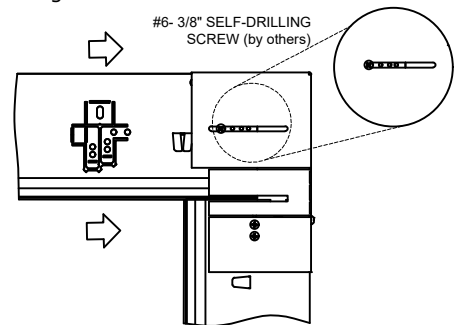


3. Install Horizontal fixture(s) closest to corner.

A. Lift fixture to ceiling. Shift housing over vertical housing. (Overlap min. of $\frac{1}{4}$ " , max. $2\frac{1}{2}$ ") Reference layout drawing for location.



- B. Install 2 side screws to the Top Bracket to one the corresponding mounting holes.



4. * Install wall (By Others)
5. Spackle in fixture.
6. Remove SHIPPING BRACE.
7. Snap-in LENS.

*: Fixture **MUST** be mounted before wall/ceiling is installed.