

# Grüv® 4" High Efficiency

## Recessed Linear LED

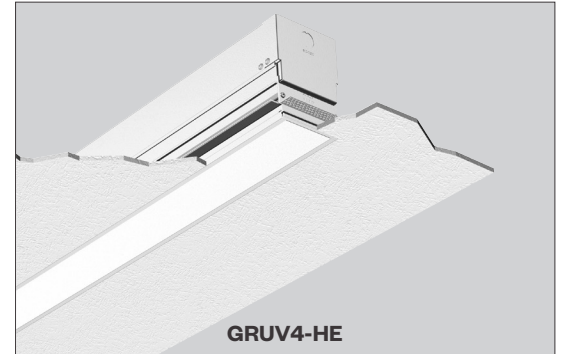


PROJECT:

TYPE:

### Features

Designed to provide high-performance, visually comfortable, high efficient ambient lighting with a 4" aperture for commercial and office environments. Featuring improved extruded aluminum and steel construction, superb aesthetics, lower costs and shorter lead times. Grüv 4" HE is more effective and aesthetically appealing than many recessed linear fixtures available today.



### Product Overview

Type:	Recessed Linear, Direct	
Wattage:	5W/ft, 10W/ft (other wattages available see p2)	
Color Temp:	2700K, 3000K, 3500K, 4000K; Tunable White (2700K-5700K)	
CRI:	83 or 90+ typ. (2700K, 3000K, 3500K, 4000K) 90+ (Tunable White)	
Dimming (wired):	Static White 0-10V, 1% dimming (standard) Lutron LDE1 Hi-lume® 1% Dim Soft-On/Fade-to-Black DALI dimming, 1% dim	Tunable White 0-10V TW, 1% dimming DALI DT8, 1% digital dimming
Dimming (wireless):	Enlighted Sensor Lutron Athena (integral wireless RF node)	Enlighted Sensor TW Lutron Athena TW (integral wireless RF node)

### Certifications



### Fixture Summary

#### Ceiling Types

4" Tech Zone	6" Tech Zone	9/16"	15/16" *	Gyp Board	Millwork	Perimeter J-Mold
Yes	No	Yes	Yes	Yes	Yes	Yes

\* Flange Grid (GRUV4-HE-FLG-GRID) model only.

#### Performance Data (4' Fixture)

Nominal Wattage/Foot	Delivered Lumens	LPW	Color Temp-CRI
5	2182	121	3500K-83
10	4200	116.8	3500K-83

Data is based on 4' fixture with Performance lens, 3500K, 83CRI IES files available on website.

#### Electrical Data

Wattage/Foot	Voltage	4'		8'	
		System Watts	Amps	System Watts	Amps
5	120V	18	0.15	36	0.30
	277V	18	0.07	36	0.13
10	120V	36	0.30	72	0.60
	277V	36	0.13	72	0.26

Electronic multi-volt (120-277VAC), constant current LED driver.

#### Standard Patterns

					Wall to Ceiling	Custom*
Yes	Yes	Yes	Yes	Yes	Yes	Yes

\* Submit drawing, consult factory

# Grüv® 4" High Efficiency

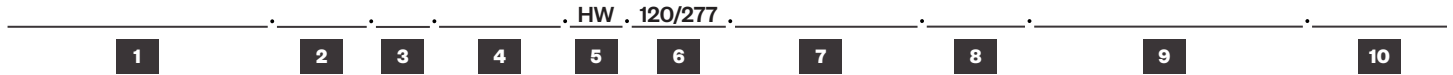
Recessed Linear LED



PROJECT:

TYPE:

## Ordering Information



1	Model	2	Optics	3	Wattage (per foot)														
	<b>GRUV4-HE-FLG-A16*</b> exposed flange <b>GRUV4-HE-FLG-GRID-A16*</b> exposed flange grid mount <b>GRUV4-HE-GB-A16*</b> gyp board trimless mud-in <b>GRUV4-HE-GRID-A16*</b> grid mount <b>GRUV4-HE-IS-A16*</b> independently suspended <b>GRUV4-HE-J/GB-A16*</b> j-mold/gyp board trimless <b>GRUV4-HE-J/GRID-A16*</b> j-mold/grid <b>GRUV4-HE-J/IS-A16*</b> j-mold/independently suspended		<b>PL</b> performance lens (standard) <b>DL</b> designer lens <b>SLDW</b> straight blade louver, white aluminum, solid blades w/overlay <b>SLDB</b> straight blade louver, black, solid blades w/overlay <b>SLDS</b> straight blade louver, silver, solid blades w/overlay		<table border="1"> <thead> <tr> <th>Standard</th> <th>Optional</th> </tr> </thead> <tbody> <tr> <td>5 5W/ft</td> <td>3 3W/ft*</td> </tr> <tr> <td>10 10W/ft</td> <td>4 4W/ft**</td> </tr> <tr> <td></td> <td>6 6W/ft</td> </tr> <tr> <td></td> <td>7 7W/ft</td> </tr> <tr> <td></td> <td>8 8W/ft</td> </tr> <tr> <td></td> <td>9 9W/ft</td> </tr> </tbody> </table> <p>* 4' min. length required                      ** DLC listed (see notes below)</p>	Standard	Optional	5 5W/ft	3 3W/ft*	10 10W/ft	4 4W/ft**		6 6W/ft		7 7W/ft		8 8W/ft		9 9W/ft
Standard	Optional																		
5 5W/ft	3 3W/ft*																		
10 10W/ft	4 4W/ft**																		
	6 6W/ft																		
	7 7W/ft																		
	8 8W/ft																		
	9 9W/ft																		

4	Color Temp-CRI	5	Finish	6	Voltage	7	Length															
	Static White <b>27</b> 2700K-83 <b>279</b> 2700K-90+ <b>30</b> 3000K-83 <b>309</b> 3000K-90+ <b>35</b> 3500K-83 <b>359</b> 3500K-90+ <b>40</b> 4000K-83 <b>409</b> 4000K-90+ Tunable White <b>TW9-2757</b> tunable white, 90CRI (2700K-5700K)		<b>HW</b> high reflectance matte white		<b>120/277</b>		<table border="1"> <thead> <tr> <th>Length A</th> <th>Length B</th> <th>Length C</th> </tr> </thead> <tbody> <tr> <td>- all patterns</td> <td>- all patterns</td> <td>- PU</td> </tr> <tr> <td>- IND/IND-S+</td> <td>- PR (2 lengths of 2)</td> <td>- PZ</td> </tr> <tr> <td>- CON/CON-S+</td> <td></td> <td></td> </tr> <tr> <td>- CUS</td> <td></td> <td></td> </tr> </tbody> </table>	Length A	Length B	Length C	- all patterns	- all patterns	- PU	- IND/IND-S+	- PR (2 lengths of 2)	- PZ	- CON/CON-S+			- CUS		
Length A	Length B	Length C																				
- all patterns	- all patterns	- PU																				
- IND/IND-S+	- PR (2 lengths of 2)	- PZ																				
- CON/CON-S+																						
- CUS																						

8	Configuration	9	Drivers/Controls
	<b>IND<sup>1</sup></b> individual fixture, 2' to 8' in 1' increments <b>IND-S+</b> individual with standard plus (see pg 8 for GRID or J/GRID only) <b>CON</b> continuous run > than 8', specify to nearest foot <b>CON-S+</b> continuous run with standard plus (see pg 8 for GRID or J/GRID only) <b>CUS</b> custom made to measure, ± 1/8" of customer supplied field dimensions <b>Standard Patterns</b> (see pg 8 for details) <b>PLL</b> L left, (2) straights + (1) 90° corner, leg right <b>PLR</b> L right, (2) straights + (1) 90° corner, leg left <b>PU</b> U shape, (3) straight lengths + (2) 90° corners <b>PR</b> Rectangle shape, (4) straight lengths + (4) 90° corners <b>PZ</b> Z shape, (3) straight lengths + (2) 90° corners <b>PWC</b> wall to ceiling (1) 90° corner joining (2) segments For custom patterns, submit an EDR on amerlux.com		<b>Wired - Static White</b> <b>O-10V</b> 1% analogue dimming, 120-277VAC, dim to off when selected with wireless dimming control <b>HILUME-H-ECO</b> Lutron LDE1 Hi-lume® 1% dim Soft-On/Fade-to-Black <b>DALI</b> DALI dimming 120-277VAC, 1% dim <b>Wired - Tunable White</b> <b>O-10V-TW</b> 1% dimming, multi-volt (120V-277V) constant current <b>DALI-DT8</b> 1% digital dimming, CCT control per DALI DT8 (120V-277V) constant current <b>Wireless - Static White</b> <b>ENLS-SR</b> Enlighted sensor, energy metering <b>ENLS-O10</b> Enlighted sensor with controller unit <b>AWN-R-WH-SR</b> Lutron Athena wireless node, RF only, white, D4i/DALI-2 <b>AWN-R-BL-SR</b> Lutron Athena wireless node, RF only, black, D4i/DALI-2 <b>AWN-R-WH-O10</b> Lutron Athena wireless node, RF only, white, 0-10V <b>AWN-R-BL-O10</b> Lutron Athena wireless node, RF only, black, 0-10V <b>AWN-R-OCC-WH-SR</b> Lutron Athena wireless node, Occupancy & Daylight sensor, white, D4i/DALI-2 <b>AWN-R-OCC-BL-SR</b> Lutron Athena wireless node, Occupancy & Daylight sensor, black, D4i/DALI-2 <b>Wireless - Tunable White</b> <b>ENLS-SR-TW</b> Enlighted sensor, energy metering <b>AWN-R-WH-SR-TW</b> Lutron Athena wireless node, RF only, white, D4i/DALI-2 <b>AWN-R-BL-SR-TW</b> Lutron Athena wireless node, RF only, black, D4i/DALI-2 <b>AWN-R-OCC-WH-SR-TW</b> Lutron Athena wireless node, Occupancy & Daylight sensor, white, D4i/DALI-2 <b>AWN-R-OCC-BL-SR-TW</b> Lutron Athena wireless node, Occupancy & Daylight sensor, black, D4i/DALI-2

10	Options/Accessories
	<b>CP</b> Chicago Plenum (CCEA) <b>WHIP</b> 6' whip, 18/5 conductor <b>EMC-PF<sup>2</sup></b> emergency circuit requires power feed located in last fixture section (for other locations consult factory) <b>PF<sup>2</sup></b> extra power feed for additional circuiting <b>EMB</b> emergency battery pack (not available for lengths under 4')

\* The "A" refers to the sequential revision in a year and "XX" refers to the year of update. Updates coincide with improved performance while not changing the overall fixture aesthetic and are reflected in the published performance data. Please contact your Amerlux representative for explanations of changes.  
 \* DLC listed (4W fixture in 4', 5', 6', 7', 8' and runs to the nearest whole foot)  
<sup>1</sup> Lengths less than 4' may have restrictions based upon wattage, lengths, drivers or other options.  
<sup>2</sup> Not available with IND (individual) configuration.

# Grüv® 4" High Efficiency

## Recessed Linear LED



PROJECT:

TYPE:

### Specifications

#### Application

Commercial and retail recessed ambient lighting can be customized with made to measure lengths, patterns, ceilings or wall mounted fixtures.

#### Construction

Heavy gauge steel upper housing is secured to aluminum extruded trim rails. Die-formed, cold-rolled steel internal components and external mounting brackets. Numerous configurations accommodate most architectural ceiling conditions.

#### Optical

All lenses are snap-in, extruded acrylic, with a maximum length of 8'. Amerlux's proprietary acrylic lens provide excellent transmission while effectively concealing source image.

**PL** - Performance Lens provides high efficiency with controlled lens surface brightness (*standard*).

**DL** - Designer Lens provides flat even glow on lens. Best when lens is in direct or constant view. Such as vertical wall mounted.

**SLD** - Straight blade Louver Direct has 0.5" high blades 0.75" on center with overlay. Available in white aluminum (light gray, appears white when lit), black or silver

#### LED

Amerlux's boards and patented connector design with brand name LEDs enables Amerlux fixtures to have excellent thermal management and offer a 5 year warranty. Our LED binning is within 3 MacAdam ellipse. Boards are configured for maximum flexibility resulting in even illumination no matter the fixture layout. LED boards are easily replaced in the field with just a Phillips screw driver.

	Static White	Tunable White
CCT:	2700K, 3000K, 3500K, 4000K	2700K-5700K
CRI:	83 or 90+ typical	90+ (92 typ)
R9:	16 @ CRI 83; >50 @ CRI 90+	>50
Life:	50,000+ hr., > 70% of initial lumens (L70)	

#### Electrical

**Wiring:** Supply wires are easily accessible through access plate on top of fixture.

**WHIP:** Optional factory installed 6' Greenfield whip (18/5 conductor) simplifies installation.

**Standard Wattage:** 5W/ft, 10W/ft.

**Optional Wattages:** 3W/ft, 4W/ft, 6W/ft, 7W/ft, 8W/ft, 9W/ft. (3W & 4W have a minimum length of 4'). For other wattages consult factory.

Emergency circuit via remote inverter or auxiliary emergency power supply (by others).

**This product complies with IEEE C62.41 for surge endurance up to 2.5KV.**

**Amerlux® recommends using additional surge protection with this unit (supplied by others), surge damage is not covered under warranty.**

**EMC-PF** - Emergency circuit requires power feed wire harness to be located in last fixture section for continuous runs. For other locations consult factory. Not available for individual (IND) configuration.

**PF** - Extra power feed wire harness for additional circuiting. Not available for individual (IND) configuration.

#### Finish

**HW** - High reflectance, matte white powder coat paint. Baked on finish for maximum durability and color stability.

#### Configurations/Lengths

**IND** - Individual fixtures are made of single standard lengths of 2' to 8' (in 1' increments). These are stand alone fixtures with matching End Caps, supplied with the mounting hardware. Lengths less than 4' may have restrictions based upon wattage, lengths, drivers or other options.

**CON** - Continuous runs, > 8', specified to nearest whole foot length in 1' increments. Runs made from standard lengths have End Caps at the beginning and end of run. Runs > 60' may require second power feed. Each housing has factory installed alignment pins. Mating fixtures are easily aligned and joined with "catch and latch" mechanisms out of sight, on top of the Housing. Wiring is made fast and positive with molded quick connectors.

**S+** - Standard Plus is a field outtable filler bracket that can be used when an Individual fixture or a Continuous run isn't to the nearest foot (+3/4" to 6" max per end). See page 7 for details.

**CUS** - Custom made to measure runs are made to nearest 1/8" of customer supplied field measurements or drawings. Custom lengths use the same hardware for hairline joining.

**PXX** - Standard Patterns consist of 90° corners with standard lengths (4' to 8' in 1' increments), continuous runs or made to measure lengths. Depending upon complexity of the pattern drawings may be required from the customer. If ordering please give overall lengths.

**A'-B'-PLL** - L Left - (1) 90° Corner (2) segments. Specify overall segments: A' & B'

**A'-B'-PLR** - L Right - (1) 90° Corner (2) segments. Specify overall segments: A' & B'

**A'-B'-PR** - Rectangle - (4) 90° Corners joining (4) segments. Specify overall segments: A' & B'

**A'-B'-C'-PU** - U shape - (2) 90° Corners joining (3) segments. Specify overall segments: A', B', & C'

**A'-B'-C'-PZ** - Z shape - (2) 90° Corners joining (3) segments. Specify overall segments: A', B', & C'

**A'-B'-PWC** - Wall to Ceiling - 90° joining bracket. Specify overall segments: A' & B'

**See page 8 for layouts.**

**Please note: Corners have lit mitered Lens.**

**For custom patterns, submit an EDR on amerlux.com**

#### Mounting

Intended for use in gypsum board, 9/16" Tee grid or Screw Slot, 15/16" Tee grid and millwork ceilings. Wall mounting J-Molding details available. For individual, continuous row, or pattern applications.

**Please note - fixtures to be installed before gypsum board ceiling.**

**GRUV4-HE-FLG-A16** - exposed flange, fixture into gyp board ceiling

**GRUV4-HE-FLG-GRID-A16** - exposed flange grid mount, fixture into 9/16" or 15/16" Tee ceilings

**GRUV4-HE-GB-A16** - gyp trimless mud, fixture plastered into gypsum board ceiling

**GRUV4-HE-GRID-A16** - grid mount, in 9/16" Screw Slot or Flat Tee ceilings

**GRUV4-HE-IS-A16** - independently suspended, fixture in wood ceiling

**GRUV4-HE-J/GB-A16** - J mold/gyp trimless, plastered in ceiling - J Channel wall side

**GRUV4-HE-J/GRID-A16** - J mold/grid, in 9/16" Screw Slot or Flat Tee ceilings - J Channel wall side

**GRUV4-HE-J-IS-A16** - J mold/independently suspended in ceiling - J Channel wall side

#### Options

**EMB** - Emergency battery pack - 10W output power, 90 min of illumination time, up to 1300 lm of initial light output. Illuminated test-switch/charging indicator light is provided. Wattage consumption by EM: 2.5W/ft (4ft fixture), 1.66W/ft (6ft fixture), 1.25W/ft (8ft fixture). Request can be made to light up 4ft section on 8ft unit.

#### Certifications

Approved to UL standards for damp locations as tested by CSA.

Intended for indoor use only

Chicago Plenum (CCEA) optional.

IC rated

#### Warranty

Amerlux's 5 year limited warranty. Please consult Amerlux website for details.

# Grüv<sup>®</sup> 4" High Efficiency

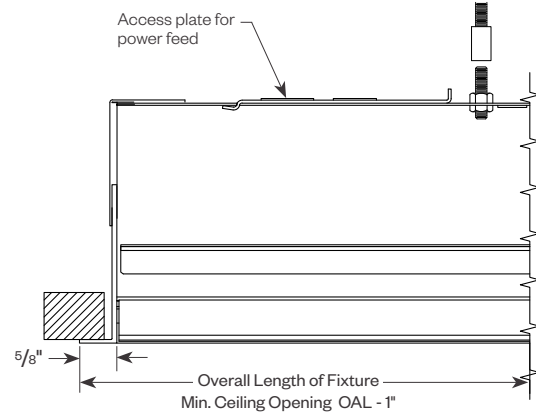
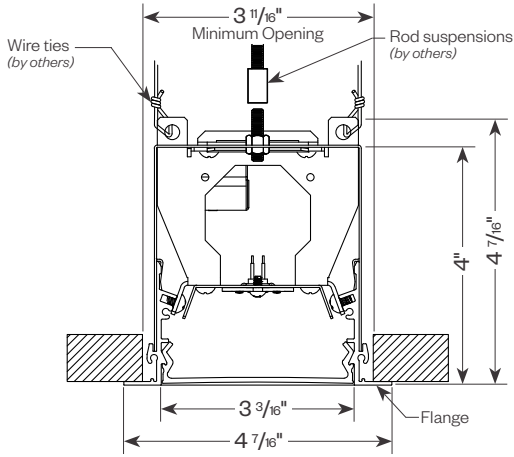
Recessed Linear LED



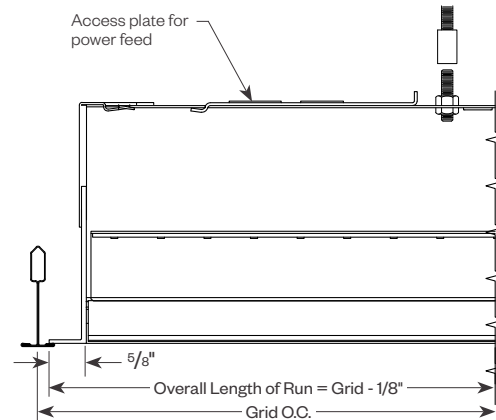
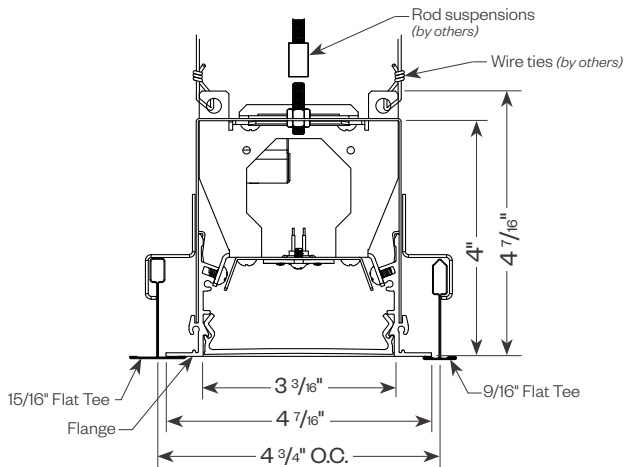
PROJECT: \_\_\_\_\_ TYPE: \_\_\_\_\_

## Product Details

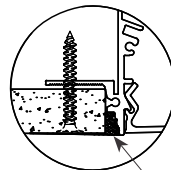
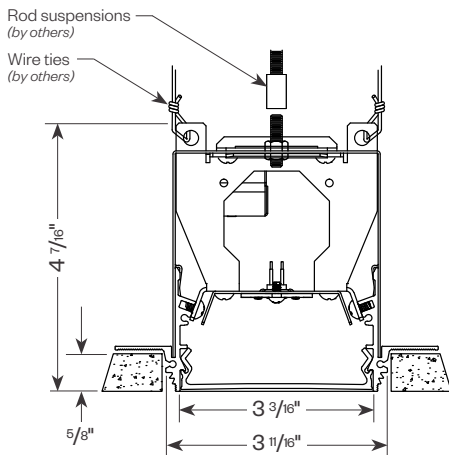
**GRUV4-HE-FLG** (exposed flange)



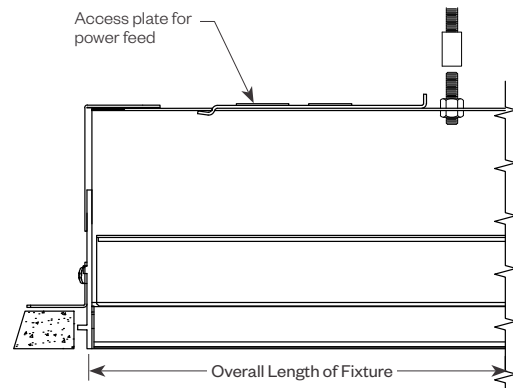
**GRUV4-HE-FLG-GRID** (flange, grid mount)



**GRUV4-HE-GB** (gyp board trimless mud-in)



Ceiling contractor to spackle, feather and sand at ceiling interface.



# Grüv<sup>®</sup> 4" High Efficiency

Recessed Linear LED



PROJECT:

TYPE:

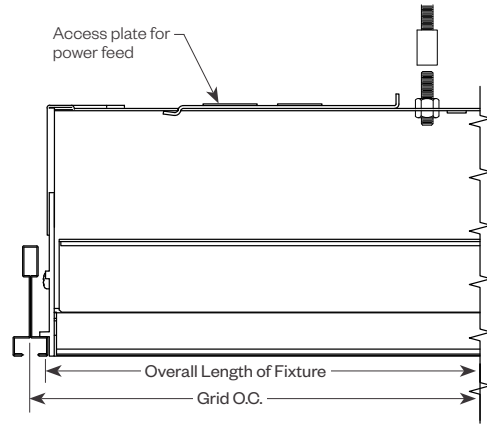
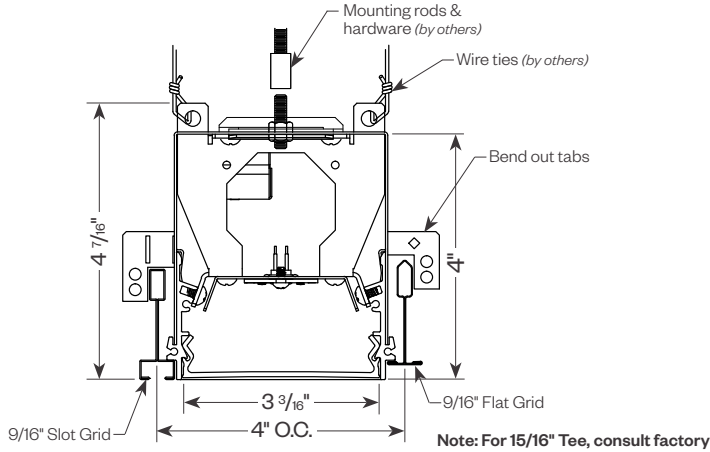
## Product Details (continued)

GRUV4-HE-GRID (grid mount)

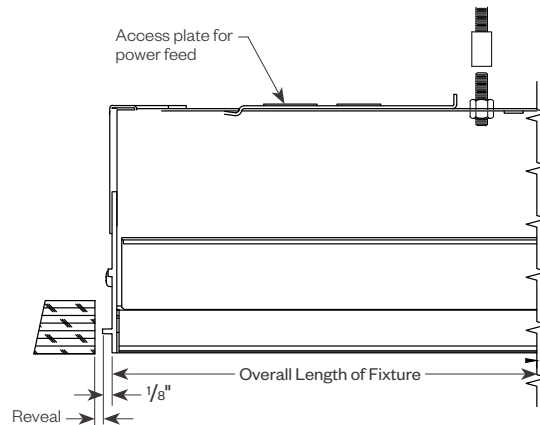
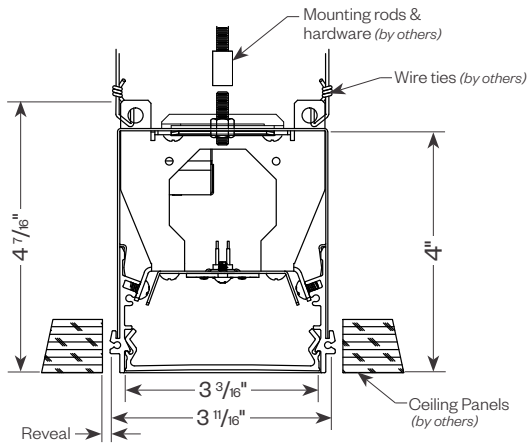
Compatible (see pg 7)

4" TechZone compatible

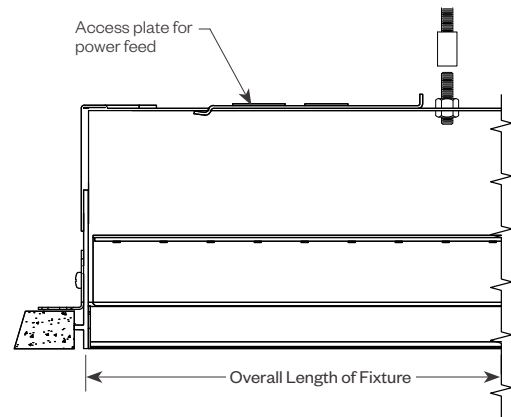
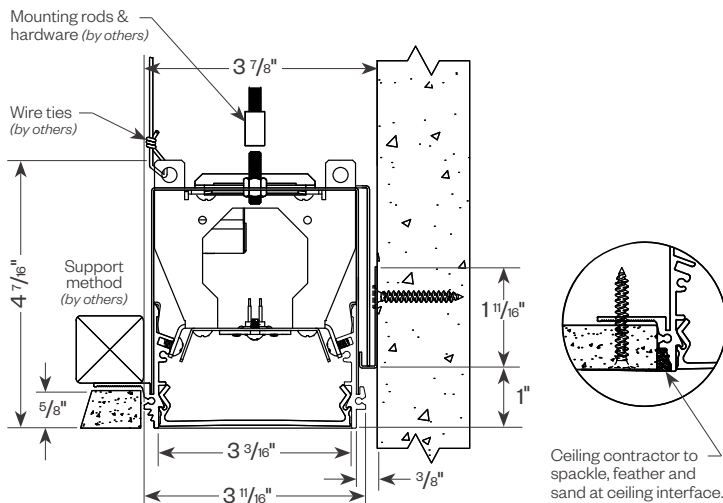
STANDARD PLUS



GRUV4-HE-IS (independently suspended)



GRUV4-HE-J/GB (j-mold/gyp board trimless)



# Grüv<sup>®</sup> 4" High Efficiency

Recessed Linear LED



PROJECT:

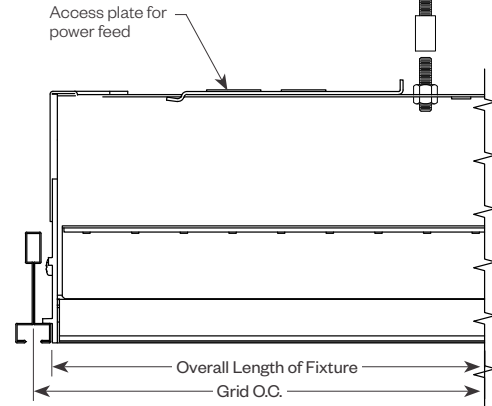
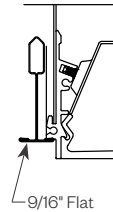
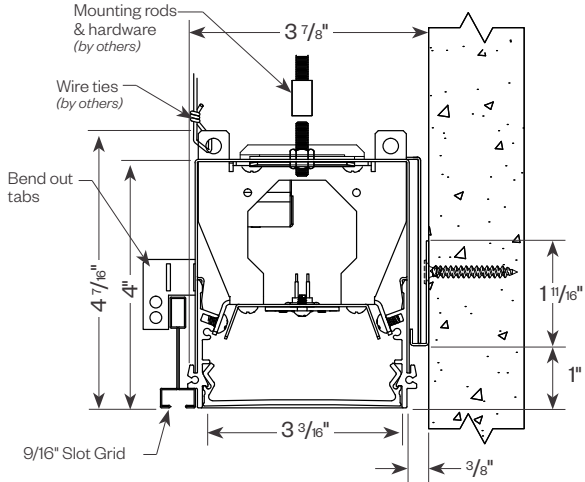
TYPE:

## Product Details (continued)

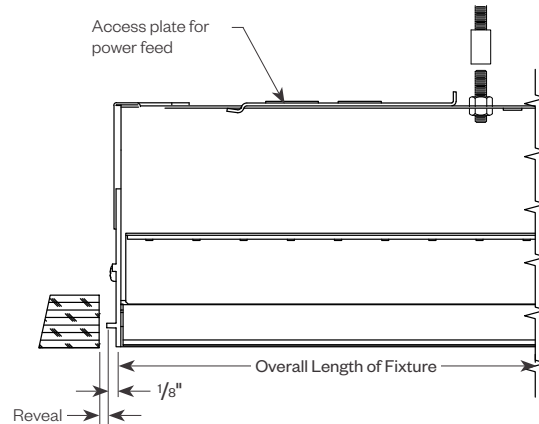
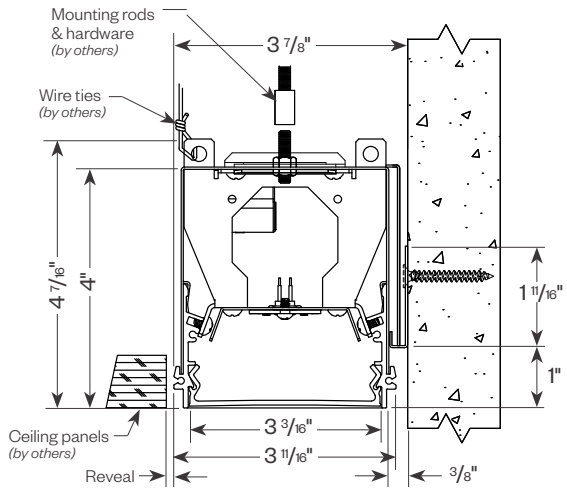
GRUV4-HE-J/GRID (j-mold/grid mount)

Compatible (see pg 7)

STANDARD PLUS



GRUV4-HE-J/IS (j-mold/independently suspended)



# Grüv® 4" High Efficiency

Recessed Linear LED



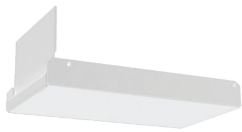
PROJECT:

TYPE:

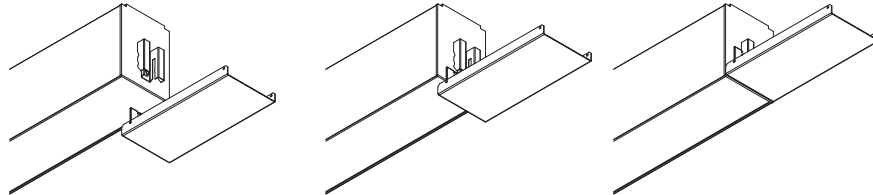
## STANDARD PLUS

### STANDARD PLUS (FILLER):

Whenever a continuous run is less than a foot to the next full foot length consider ordering Standard Plus field cuttable bracket for a perfect look. Fits 9/16" Slot Grid and 9/16" T grid. It snaps in place easily from below and gets you close to the wall with a standard fixture. Saves time and money compared to made-to-measure. (max length: 6")

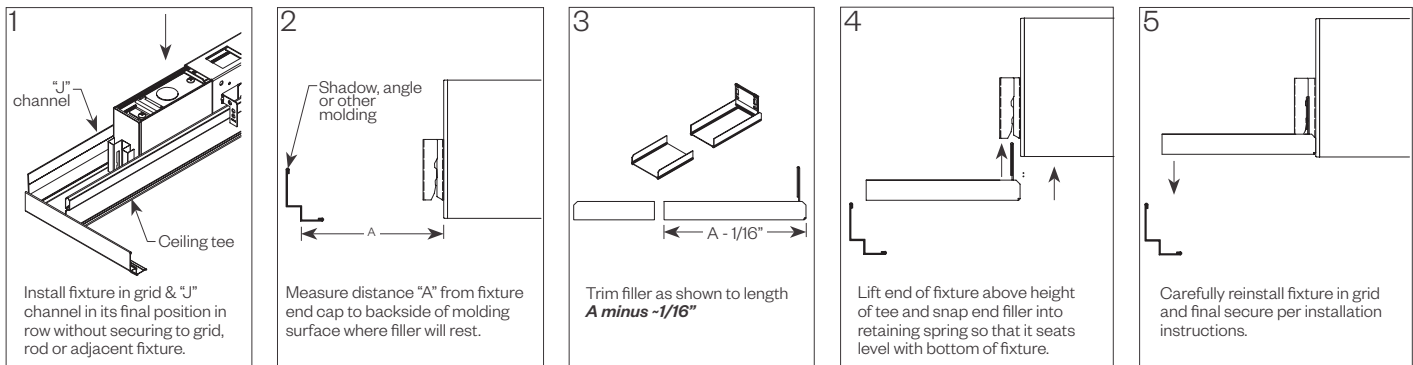


GRID VERSION



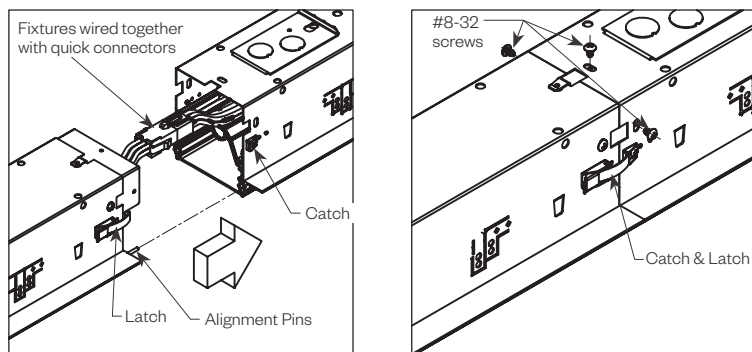
NOTE: Use with GRUV4-HE-Grid and GRUV4-HE-J/Grid

### FILLER TRIM AND INSTALLATION (GRUV 1.5 GRID SHOWN HERE)



### Toolless Joining

Line up the two housings by using the alignment splines & pins. Secure them together by using the Catch & Latch System on the top of the extrusion.



### Optional Sensor/RF Node

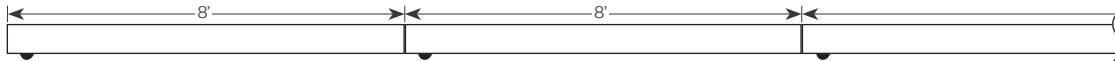
Amerlux® has partnered with control companies to create building environments that are safer, and smarter, than ever before. At the heart of our partnership is intelligent RF nodes and Smart Sensor, the most advanced digital wireless communication and sensors available today. Integrated into Amerlux products.

Minimum run length is 3' for wireless sensor and RF node.

#### INDIVIDUAL (MIN 3' LENGTH)



#### RUNS



# Grüv<sup>®</sup> 4" High Efficiency

Recessed Linear LED



PROJECT:

TYPE:

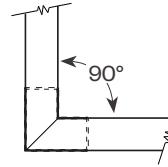
## Grüv 4" Patterns

### Standard Patterns

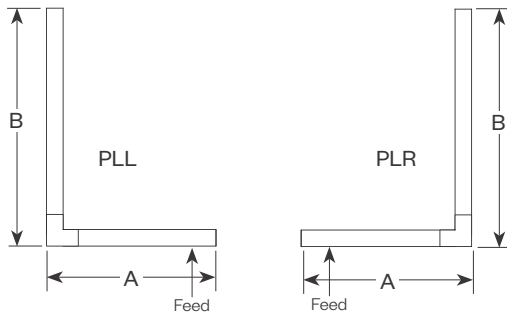
All corners are standard 90°, standard length legs.  
 Use standard lengths: 4' min to 8' in 1 foot increments.  
 Continuous runs must be the same length in pairs for closed configuration.

### Custom Patterns

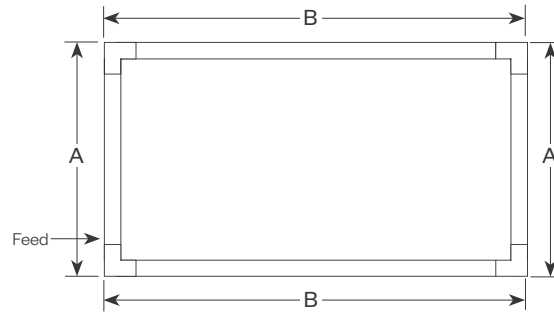
Please provide drawings of your configuration.  
 Made to Measure: +/- 1/8", consult factory.  
 PC - custom pattern, please provide drawings and consult factory



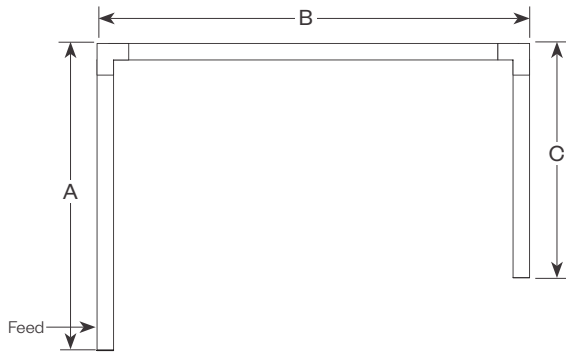
**Grüv 4 Lens**  
Mitered Lens



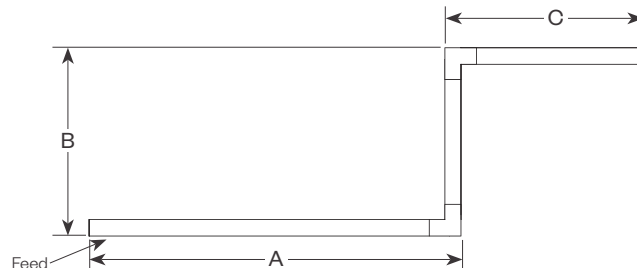
**PLL** - L Left, (2) straights + (1) 90° corner, leg right  
**PLR** - L Right, (2) straights + (1) 90° corner, leg left  
 Provide overall lengths: A' & B'  
 Nomenclature: A-B-PLL    A-B-PLR



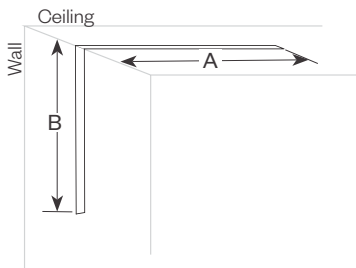
**PR** - Closed Rectangle, (4) straight lengths + (4) 90° corners  
 Provide overall lengths: A' & B'  
 Nomenclature: A-B-PR



**PU** - Open U, (3) straight lengths + (2) 90° corners  
 Provide overall lengths: A', B' & C'  
 Nomenclature: A-B-C-PU



**PZ** - Open Z, (3) straight lengths + (2) 90° corners  
 Provide overall lengths: A', B' & C'  
 Nomenclature: A-B-C-PZ



**WC** - Wall to Ceiling - 90° joining bracket, 12" leg length standard  
 Provide overall lengths: A' & B'  
 Nomenclature: A-B-PWC



# Grüv® 4" High Efficiency

Recessed Linear LED



PROJECT:

TYPE:

## Performance Data

**Multiplying Factors:** (Multiplying Factor is based on 3500K-83 120V IES file on website)

Wattage:	3W	4W	5W	6W	7W	8W	9W	10W
Factor:	0.31	0.42	0.53	0.63	0.72	0.81	0.90	1.0

CCT Factors:					TW9
CRI	2700K	3000K	3500K	4000K	(@3500K)
83	0.92	0.97	1.0	1.02	-
90	0.81	0.84	0.86	0.89	0.86

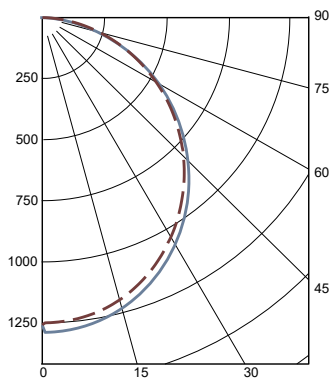
### GRÜV 4" HE PERFORMANCE LENS 10W 3500K 4FT

Total Watts: 36

Total Lumens: 4200

Source: 128 White LED's

LTL# 14626239.24A



#### ZONAL LUMEN SUMMARY

Zone	Lumens	%Fixt
0-40	2087	49.7
0-60	3448	82.1
0-90	4200	100.0
90-180	0	0.0

Luminaire Efficacy = 116.8 lm/w

#### COEFFICIENTS OF UTILIZATION

Effective Floor Cavity Reflectance 20%

RC	80			
RW	70	50	30	10
RCR				
0	119	119	119	119
1	109	105	101	97
2	100	92	86	80
3	92	81	74	67
4	84	73	64	58
5	78	65	56	50
6	72	59	50	44
7	67	54	45	39
8	62	49	41	35
9	58	45	37	32
10	55	42	34	29

Note: Values are expressed as percent of total lumen output delivered to the task surface.

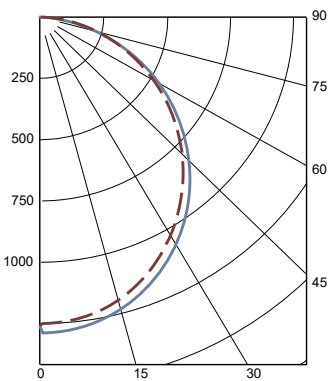
### GRÜV 4" HE DESIGNER LENS 10W 3500K 4FT

Total Watts: 36

Total Lumens: 3510

Source: 128 White LED's

LTL# 14626239.25A



#### ZONAL LUMEN SUMMARY

Zone	Lumens	%Fixt
0-40	1576	44.9
0-60	2758	78.6
0-90	3510	100.0
90-180	0	0.0

Luminaire Efficacy = 97.6 lm/w

#### COEFFICIENTS OF UTILIZATION

Effective Floor Cavity Reflectance 20%

RC	80			
RW	70	50	30	10
RCR				
0	119	119	119	119
1	109	104	99	96
2	99	90	83	78
3	90	79	71	65
4	82	70	61	55
5	76	63	54	47
6	70	57	48	41
7	65	51	42	36
8	60	47	38	32
9	56	43	35	29
10	53	40	32	26

Note: Values are expressed as percent of total lumen output delivered to the task surface.

# Grüv<sup>®</sup> 4" High Efficiency

Recessed Linear LED



PROJECT:

TYPE:

## Performance Data (continued)

**Multiplying Factors:** (Multiplying Factor is based on 3500K-83 120V IES file on website)

Wattage:	3W	4W	5W	6W	7W	8W	9W	10W
Factor:	0.31	0.42	0.53	0.63	0.72	0.81	0.90	1.0

CCT Factors:					TW9
CRI	2700K	3000K	3500K	4000K	(@3500K)
83	0.92	0.97	1.0	1.02	-
90	0.81	0.84	0.86	0.89	0.86

Louver		
Finish:	SLV	BLK
Factor:	1.0	0.65

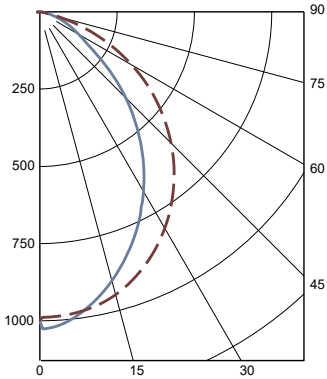
### GRÜV 4" HE STRAIGHT BLADE LOUVER (SLV) 10W 3500K 4FT

Total Watts: 36

Total Lumens: 1936

Source: 128 White LED's

LTL# 14626239.26



#### ZONAL LUMEN SUMMARY

Zone	Lumens	%Fixt
0-40	1115	57.6
0-60	1737	89.7
0-90	1936	100.0
90-180	0	0.0

Luminaire Efficacy = 53.8 lm/w

#### COEFFICIENTS OF UTILIZATION

Effective Floor Cavity Reflectance 20%

RC	80			
RW	70	50	30	10
ROR				
0	119	119	119	119
1	111	107	103	100
2	102	95	90	85
3	94	85	78	73
4	87	77	69	63
5	81	69	61	55
6	75	63	55	49
7	70	58	50	44
8	66	53	45	40
9	61	49	41	36
10	58	45	38	33

Note: Values are expressed as percent of total lumen output delivered to the task surface.

# Grüv<sup>®</sup> 4" High Efficiency

Recessed Linear LED



PROJECT:

TYPE:

## Static White - Dimming Compatibility

Amerlux<sup>®</sup> Gruv fixtures are compatible with all major dimming protocols prevalent in the United States. Please see below for general compatibilities and wiring diagrams. Amerlux recommends testing your unique dimming configuration as the exact full configuration (*Dimmer, Fixture Quantity, Voltage, etc*) may affect dimming performance.

--- NOTE: INFORMATION BELOW IS FOR WIRED DIMMERS ONLY. FOR WIRELESS DIMMERS, CONSULT FACTORY ---

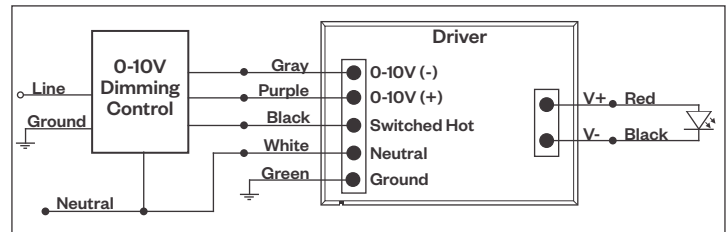
### 0-10V - DIMMING (Standard)

Integrates into a variety of building management and daylighting controls

**Notes:**

- 120V or 277V\*
- Dims down to 1% light output
- Requires interface to turn off power to driver
- Consult Dimming manufacturer for installation instructions - **DO NOT SHARE NEUTRALS!**

### 0-10V Wiring Diagram



**Compatible Dimmers\*:**

Wall Box			Central System
Lutron:	Wattstopper:	Leviton:	Lutron Grafik Eye with GRX-TV1 Interface
Diva - DVSTV	ADF-120277	Renoir II	
Maestro - MS-Z101			
Nova-T - NTSTV-DV			

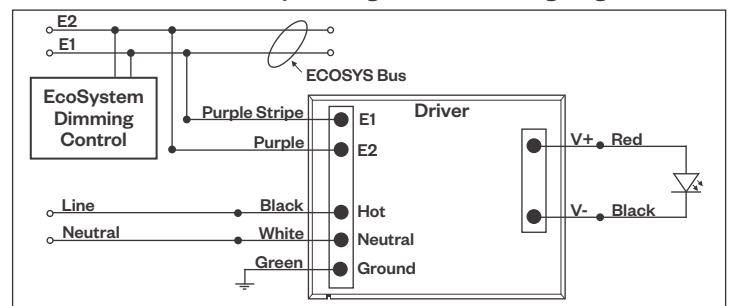
### LUTRON LDE1 DIMMING

Integrates into Lutron EcoSystem building management

**Notes:**

- 120VAC or 277VAC\*
- Dims down to 1% Soft-On/Fade-to-Black
- EcoSystem Control
- Consult Dimming manufacturer for installation instructions - **DO NOT SHARE NEUTRALS!**

### LDE1 (HILUME-H-ECO) EcoSystem Digital Control Wiring Diagram



**Compatible Dimmers\*:**

Lutron ECO System	Central System
Pow Pak Dimming Modules	Lutron EcoSystem compatible controls
Energi Savr Node	
Grafik Eye QS/Homeworks	
QS Control Unit	
Quantum Hub	
Homeworks QS/My Room	

**Notes:**

\* Driver is 277VAC dimmable with appropriate dimmer (by others). All provided wiring diagrams show 120VAC wiring colors and method. Please refer to 277VAC dimmer installation instructions for 277VAC wiring diagrams.

† The absence of a dimmer from the lists above does not imply incompatibility. Please consult factory for compatibility inquiries.

# Grüv® 4" High Efficiency

Recessed Linear LED



PROJECT:

TYPE:

## Static White - Dimming Compatibility *(continued)*

Amerlux® Gruv fixtures are compatible with all major dimming protocols prevalent in the United States. Please see below for general compatibilities and wiring diagrams. Amerlux recommends testing your unique dimming configuration as the exact full configuration (*Dimmer, Fixture Quantity, Voltage, etc*) may affect dimming performance.

**--- NOTE: INFORMATION BELOW IS FOR WIRED DIMMERS ONLY. FOR WIRELESS DIMMERS, CONSULT FACTORY ---**

### DALI - DALI DIMMING 120V-277V

Digital control protocol allows individual fixture control

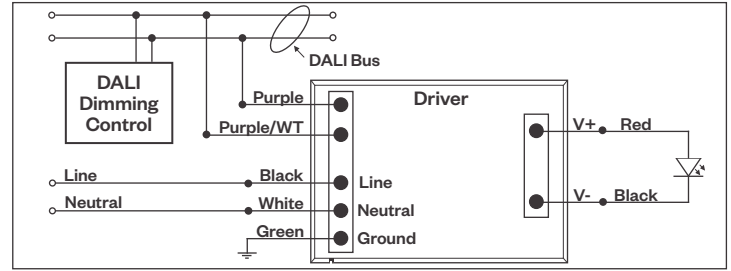
**Notes:**

- 120VAC - 277VAC\*
- Dims down to 1% light output in most cases

**Compatible Dimmers\*:**

Wall Box	Central System
Leviton CD250 Controller	Dynalite
	Fifth Light

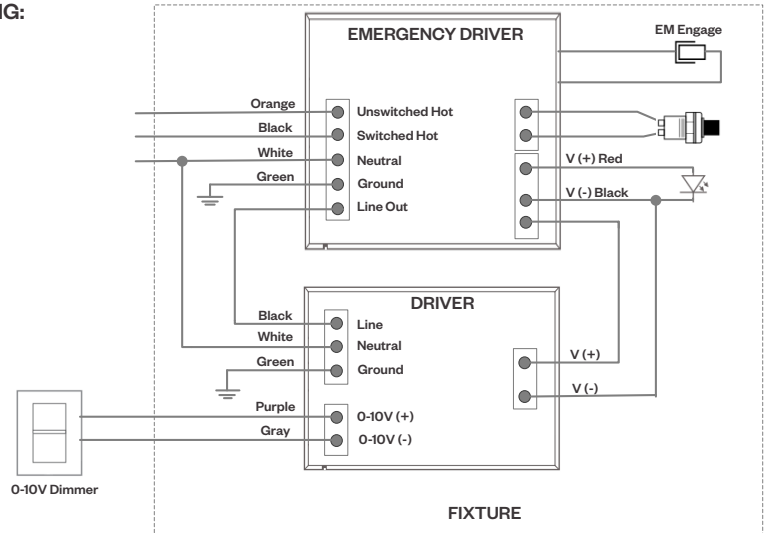
DALI Wiring Diagram



## Emergency Fixture with Built-In Battery Pack

### EMERGENCY FIXTURE WITH BUILT-IN BATTERY PACK (EMB) WIRING:

Note: EMB not available on lengths under 4'.



**Notes:**

\* Driver is 277VAC dimmable with appropriate dimmer (*by others*). All provided wiring diagrams show 120VAC wiring colors and method. Please refer to 277VAC dimmer installation instructions for 277VAC wiring diagrams.

† The absence of a dimmer from the lists above does not imply incompatibility. Please consult factory for compatibility inquiries.

# Grüv® 4" High Efficiency

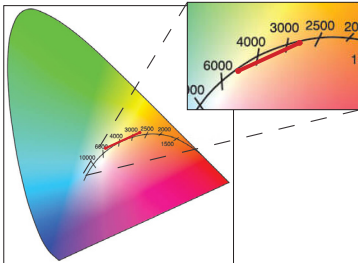
Recessed Linear LED



PROJECT:

TYPE:

## Tunable White



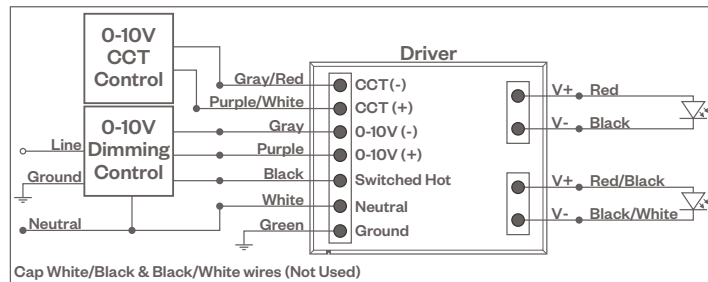
Tunable White range from 2700K-5700K, 90 CRI.  
See wiring diagrams below.

## Tunable White - Dimming Compatibility

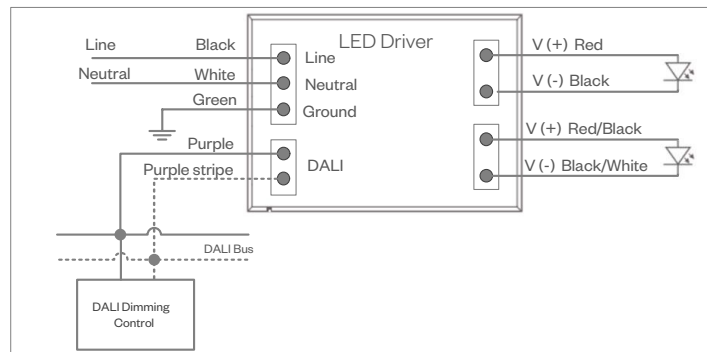
Amerlux® Grüv fixtures are compatible with all major dimming protocols prevalent in the United States. Please see below for general compatibilities and wiring diagrams. Amerlux recommends testing your unique dimming configuration as the exact full configuration (*Dimmer, Fixture Quantity, Voltage, etc*) may affect dimming performance.

--- NOTE: INFORMATION BELOW IS FOR WIRED DIMMERS ONLY. FOR WIRELESS DIMMERS, CONSULT FACTORY ---

### 0-10V Wiring Diagram



### DALI DT8 Wiring Diagram



**Notes:**  
 \* Driver is 277VAC dimmable with appropriate dimmer (by others). All provided wiring diagrams show 120VAC wiring colors and method. Please refer to 277VAC dimmer installation instructions for 277VAC wiring diagrams.  
 † The absence of a dimmer from the lists above does not imply incompatibility. Please consult factory for compatibility inquiries.