

**INSTRUCTION SHEET**



**RECESSED MULTIPLE, TRIMLESS, CYLINDRIX, CONTOUR, HORNET**

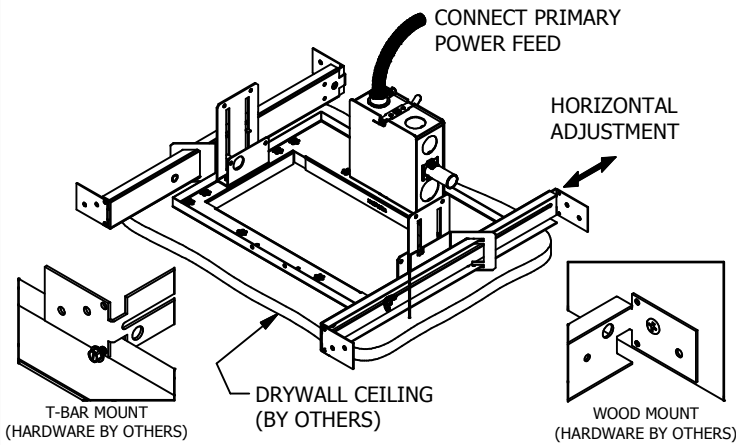
**689-0476**

PAGE 1 OF 1

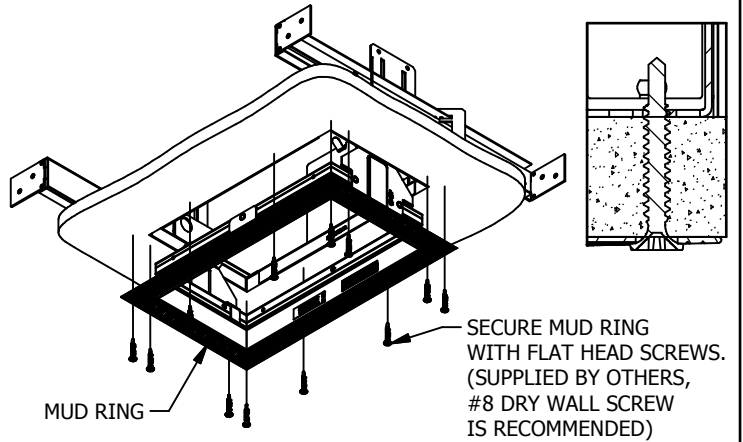
**WARNING - RISK OF FIRE AND ELECTRICAL SHOCK. FIXTURE MUST BE INSTALLED BY A QUALIFIED ELECTRICIAN ONLY. FIXTURE IS INTENDED FOR INSTALLATION IN ACCORDANCE WITH THE NATIONAL ELECTRICAL CODE, LOCAL AND FEDERAL SPECIFICATIONS. DISCONNECT POWER AT ELECTRICAL PANEL BEFORE SERVICING.**

**RETAIN THESE INSTRUCTIONS FOR MAINTENANCE REFERENCE.**

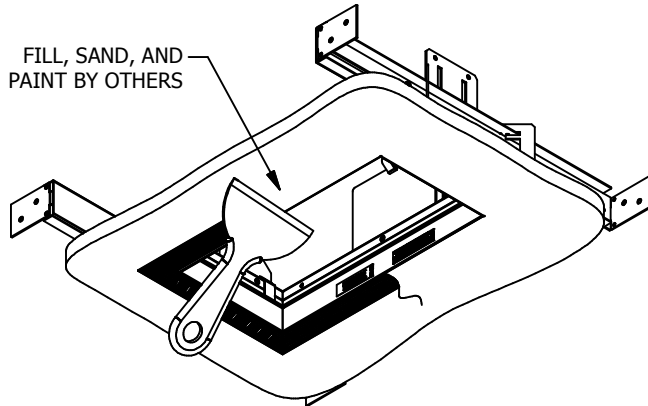
**1 INSTALL FRAME AND WIRE J-BOX**



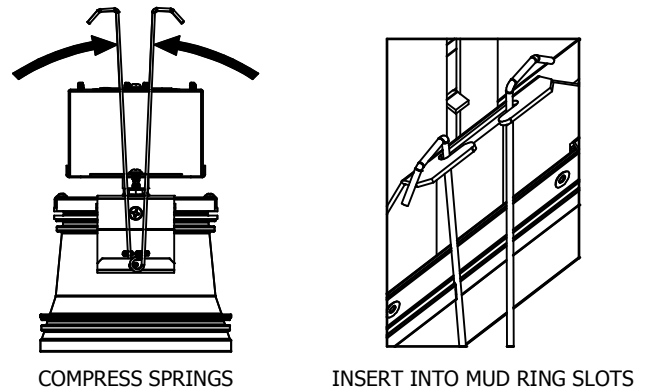
**2 FASTEN MUD RING TO FRAME**



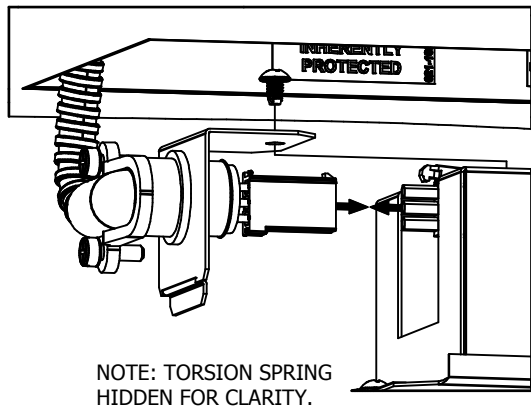
**3 PLASTER IN MUD RING**



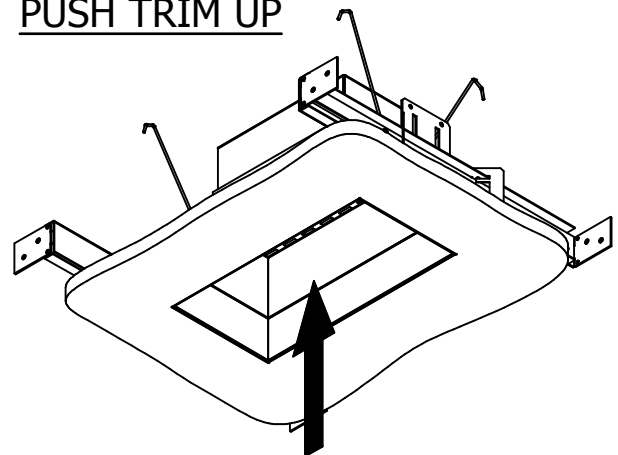
**4 INSTALL TORSION SPRINGS**



**5 MAKE ELECTRICAL CONNECTION**



**6 PUSH TRIM UP**



**Amerlux, 23 Daniel Road East, Fairfield, N.J. 07004, T: 973-882-5010, F: 973-882-2604 [www.amerlux.com](http://www.amerlux.com)**