



# INSTRUCTION SHEET

## FINCH SURFACE FLUSH, JUNCTION BOX

689-20072

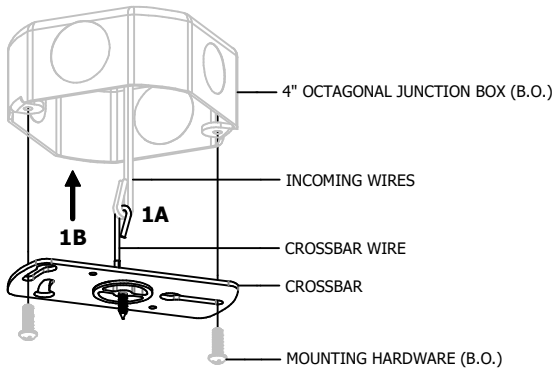
PAGE 1 OF 2

**WARNING - RISK OF FIRE AND ELECTRICAL SHOCK. FIXTURE MUST BE INSTALLED BY A QUALIFIED ELECTRICIAN ONLY. FIXTURE IS INTENDED FOR INSTALLATION IN ACCORDANCE WITH THE NATIONAL ELECTRICAL CODE, LOCAL AND FEDERAL SPECIFICATIONS. DISCONNECT POWER AT ELECTRICAL PANEL BEFORE SERVICING.**

**RETAIN THESE INSTRUCTIONS FOR MAINTENANCE REFERENCE.**

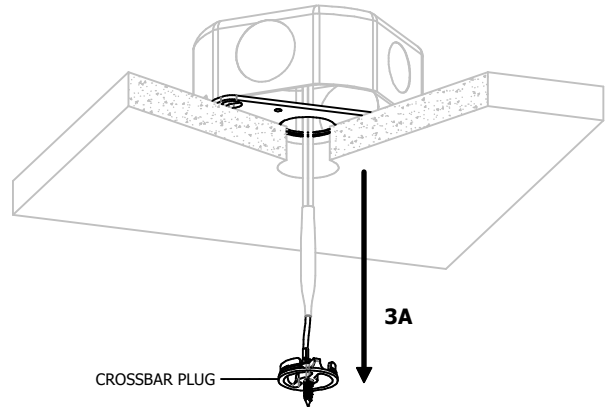
### 1 BEFORE CEILING INSTALL

- A** HOOK INCOMING LOW VOLTAGE WIRES TO CROSSBAR WIRE THEN SECURE WITH ELECTRICAL TAPE (B.O.). INCOMING WIRES WILL BE FISHED THROUGH CEILING HOLE IN STEP 3A.
- B** ATTACH CROSSBAR ASSEMBLY TO J-BOX WITH HARDWARE (B.O.)



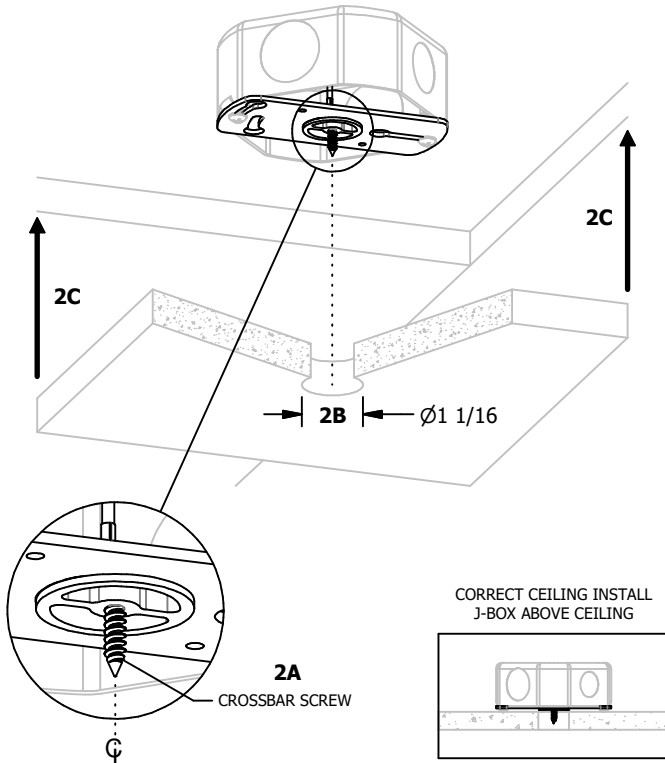
### 3 AFTER CEILING INSTALL

- A** REMOVE CROSSBAR PLUG, BRINGING INCOMING WIRES DOWN THROUGH CEILING HOLE, THEN DISCARD CROSSBAR PLUG

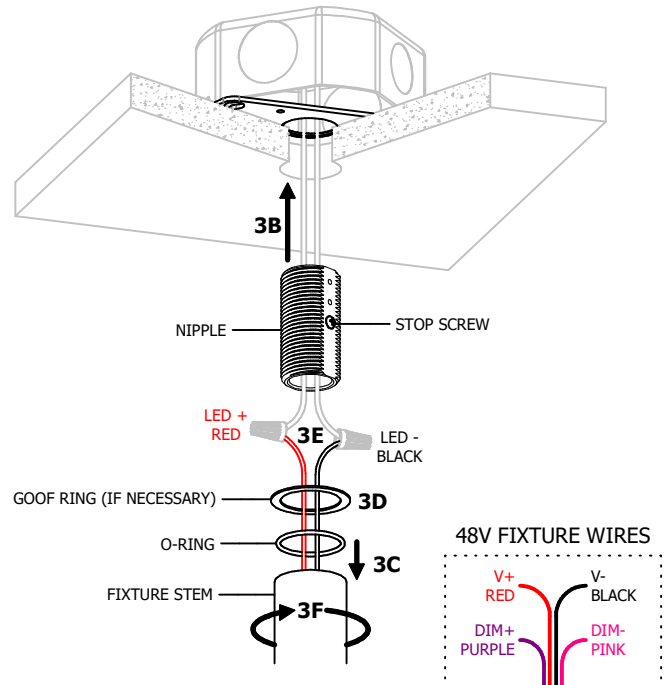


### 2 CEILING INSTALL

- A** USE CROSSBAR SCREW TO LOCATE/INDICATE HOLE CENTER
- B** USE A Ø1-1/16 HOLE SAW TO DRILL A Ø1-1/16 HOLE IN CEILING
- C** INSTALL CEILING



- B** THREAD NIPPLE INTO CROSSBAR, ADJUSTING STOP SCREW IF NECESSARY FOR THICKER CEILINGS. NIPPLE SHALL PROTRUDE 1/4" MIN. BELOW CEILING AFTER CEILING INSTALL.
- C** INSERT O-RING INTO GROOVE ON TOP OF FIXTURE STEM
- D** IF NECESSARY, SLIDE GOOF RING OVER FIXTURE WIRES
- E** CONNECT FIXTURE WIRES TO INCOMING WIRES, THEN FEED CONNECTIONS UP THROUGH NIPPLE OR DOWN INTO STEM
- F** FULLY THREAD FIXTURE STEM ONTO NIPPLE



Amerlux, 178 Bauer Drive, Oakland, N.J. 07436, T: 973-882-5010, F: 973-882-2604 [www.amerlux.com](http://www.amerlux.com)

**WARNING - RISK OF FIRE AND ELECTRICAL SHOCK. FIXTURE MUST BE INSTALLED BY A QUALIFIED ELECTRICIAN ONLY. FIXTURE IS INTENDED FOR INSTALLATION IN ACCORDANCE WITH THE NATIONAL ELECTRICAL CODE, LOCAL AND FEDERAL SPECIFICATIONS. DISCONNECT POWER AT ELECTRICAL PANEL BEFORE SERVICING.**

**RETAIN THESE INSTRUCTIONS FOR MAINTENANCE REFERENCE.**

- 1** USE A Ø1-1/16 HOLE SAW TO DRILL A Ø1-1/16 HOLE IN CEILING
- 2** THREAD NIPPLE INTO CROSSBAR, ADJUSTING STOP SCREW IF NECESSARY FOR THICKER CEILINGS. NIPPLE SHALL PROTRUDE 1/4" MIN. BELOW CEILING AFTER CEILING INSTALL.
- 3** MOUNT CROSSBAR TO TOP OF CEILING WITH MOUNTING HARDWARE (B.O.)
- 4** ATTACH INCOMING LOW VOLTAGE WIRES TO STRAIN RELIEF
- 5** FEED INCOMING WIRES DOWN THROUGH NIPPLE, SECURE BELOW NIPPLE (TIE A KNOT), THEN INSTALL CEILING
- 6** INSERT O-RING INTO GROOVE ON TOP OF FIXTURE STEM. IF NECESSARY, SLIDE GOOF RING OVER FIXTURE WIRES.
- 7** CONNECT FIXTURE WIRES TO INCOMING WIRES THEN FEED CONNECTIONS UP INTO NIPPLE OR DOWN INTO STEM
- 8** FULLY THREAD FIXTURE STEM ONTO NIPPLE

