

ROOK 350 PENDANT

3.5" ROUND PENDANT, LED, INTERNATIONAL

I-RK350-RD
LED

APPLICATIONS:

Retail and commercial ambient/task lighting

CONSTRUCTION:

Extruded aluminum pendant
Die-cast trim
Extruded aluminum heat sink

OPTICS:

Hornet HP Downlight Trim (trimless) in various configurations
LED:

Color Temp Options: 2200K, 2700K, 3000K, 3500K, 4000K
CRI: 83 typ. (2700K, 3000K, 3500K, 4000K)

90+ typ. (2200K, 2700K, 3000K)

Optional Amerlux CrispWhite technology

R9 Value: 11 (83CRI), 55 (90+CRI)

Binning: 3 MacAdam (SDMC)

Lumen Maintenance: >70% of initial lumens @ 50,000 hrs

Lumen Output: SP 1323 lm typ.

ELECTRICAL:

Electronic constant current LED driver, 240v input
ELV and Triac dimming standard, 240v.
0-10v and Lutron systems also available. See following pages for more information.

This product complies with IEEE C62.41 for surge endurance up to 2.5KV. Amerlux® recommends using additional surge protection with this unit (supplied by others), surge damage is not covered by warranty.

MOUNTING:

Canopy/cord or rigid stem

LABELING:

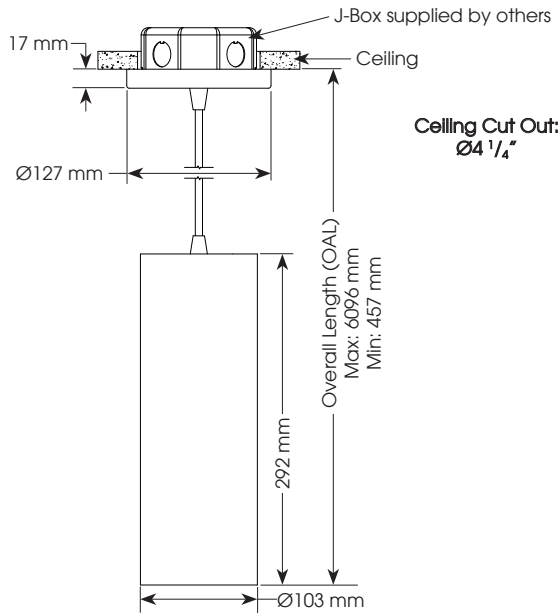


For indoor use only
Damp location



PROJECT:

TYPE:



ELECTRICAL

Electronic driver

	16W		18W	
	System Watts	Amps	System Watts	Amps
240v	16	0.07	18	0.08

3 year limited warranty
(see website for details)

ORDERING INFORMATION:

Model	Wattage	Lamp Type	Housing Finish	Voltage	Mounting	Length (OAL)	Beam Spread	Trim Finish	Color Temp (CCT-CRI)	Options
I-RK350-RD	16 18	LED	MW - matte white MB - matte black SLV - matte silver	240	CC - canopy/cord	_____ (see dimension parameters above; consult factory for other lengths)	SP - spot, 15° NF - narrow flood, 20° MFL - medium flood, 24° FL - flood, 28° WF - wide flood, 45° VWF - very wide flood, 60° LS - linear spread, 60° x 10°	MW - matte white MB - matte black SLV - matte silver	27 - 2700K-83 30 - 3000K-83 35 - 3500K-83 40 - 4000K-83 229 - 2200K-90+ 279 - 2700K-90+ 309 - 3000K-90+ CRISP - Crisp White	HILUME-ECO - Lutron Hi-Lume®/ EcoSystem dimming HILUME-3WIRE - Lutron Hi-Lume® 3 wire dimming 0-10V - 0-10v dimming

Complete Example: I-RK350-RD-18-LED-MW-240-CC-4'-NF-MW-30

Cat #:

Amerlux reserves the right to change details that do not affect overall function and performance.



ROOK 350 PENDANT

3.5" ROUND PENDANT, LED, INTERNATIONAL

I-RK350-RD
LED



TYPE:

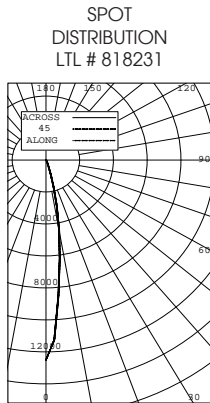


FIXTURE DATA: For 16W data, multiply by 0.89

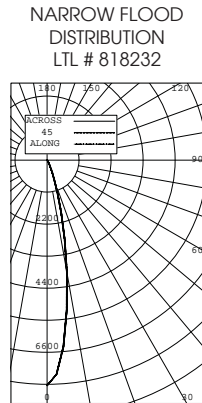
Complete photometric data (ies format) available upon request.

CCT Conversion Factor: 2700K-83 = 0.96; 3500K-83 = 1.02; 4000K-83 = 1.04; 2200K-90+ = 0.71; 2700-90+ = 0.80; 3000K-90+ = 0.83; CRISP = 0.65

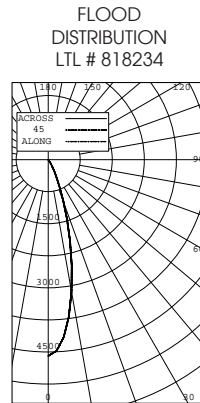
18W LED 3000K-83



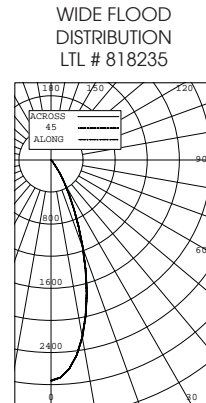
Candelas at Nadir	
Deg	Candela
0	12508
5	8495
15	1754
25	190
35	32
45	3



Candelas at Nadir	
Deg	Candela
0	7734
5	6428
15	1866
25	277
35	45
45	4



Candelas at Nadir	
Deg	Candela
0	4591
5	4168
15	1966
25	470
35	72
45	4

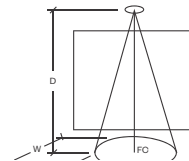


Candelas at Nadir	
Deg	Candela
0	2751
5	2614
15	1719
25	676
35	141
45	7

APPLICATION DATA:

Notes and Definitions:

Beam spread is to 50% center beam candlepower (CBCP).
 D=Distance to floor or wall.
 FC=Footcandles on floor or wall at center beam aiming location.
 L=Effective Visual Beam length in feet (50% of maximum footcandle level).
 W=Effective Visual Beam width in feet (50% of maximum footcandle level).
 CB=Distance across or down to center beam location.



0° Aiming Angle
Horizontal Footcandles

	D	FC	L	W
SPOT	5.0'	483	1.4	1.4
	7.5'	223	1.9	1.9
	10.0'	124	2.7	2.7
	12.5'	80	3.3	3.3
NARROW FLOOD	5.0'	231	2.1	2.1
	7.5'	120	2.9	2.9
	10.0'	71	3.7	3.7
	12.5'	47	4.6	4.6
FLOOD	5.0'	150	2.7	2.7
	7.5'	74	3.6	3.6
	10.0'	43	4.8	4.8
	12.5'	28	5.8	5.8
WIDE FLOOD	5.0'	97	3.2	3.2
	7.5'	46	4.6	4.6
	10.0'	27	6.1	6.1
	12.5'	17	7.5	7.5