

# Rook® 350

3.5" Round Pendants

Dim-To-Warm



## Features

Add ambiance to any hospitality, residential, retail or commercial space. Amerlux Rook Pendant Dim-To-Warm option offers a lower kelvin temperature as you dim the lights. An adaptable light source in a cost-effective, solid state lighting package. The Dim-To-Warm option can tap into the powerful mediums of light and color to enhance the experience, well-being, and human emotion. Amerlux Dim-To-Warm allows designers to simulate the familiar glow and dimming of incandescent lamps.

## Product Overview

Type:	Round Pendant
Wattage:	13W
Lumen Output:	672 lm (RD); 822 (RLD)
CBCP:	up to 3179 (RD); 2874 (RLD)
Color Temp:	3000K to 1800K
CRI:	95 typ.
Dimming:	TRIAC & ELV (120/277VAC) - 5% Dim 0-10V (120/277VAC) - 1% Dim



Pendant



Pendant w/Remote Driver

## PROJECT:



Surface Mount



Conduit Surface Mount

## TYPE:

### Performance Chart

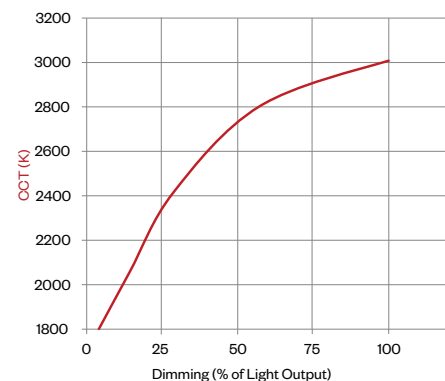
Watts	Delivered Lumens	LPW	CBCP	Color Temp
<b>Rook 350 RD</b>				
13	672	51.7	3179	3000K-95
<b>Rook 350 RLD</b>				
13	822	63.2	1460	3000K-95
<b>Rook 350 RLW</b>				
13	841	64.7	-	3000K-95

### Electrical Data

13W		
	System Watts	Amps
120V	13	0.11
277V	13	0.05

Electronic constant current LED driver

### Dim-To-Warm CCT Curve



# Rook® 350

3.5" Round Pendants Dim-To-Warm



## PROJECT:

## TYPE:

### Ordering Information



**1** Model  
RK350RD-DTW  
RK350RD-DTW-REMOTE (Remote Driver)  
RK350RLD-DTW (Lensed)  
RK350RLD-DTW-REMOTE (Lensed, Remote Driver)  
RK350RLW-DTW (Lensed Wall Wash)  
RK350RLW-DTW-REMOTE (Lensed Wall Wash, Remote Driver)

**2** Wattage  
13

**3** Housing Finish  
MW - matte white  
MB - matte black  
SLV - matte silver

**4** Mounting (matches housing finish)  
Canopy/Cord  
CC4 - canopy/cord, 4' nominal OAL  
CC8 - canopy/cord, 8' nominal OAL  
CC12 - canopy/cord, 12' nominal OAL  
CDCC4 - conduit canopy/cord, 4' nominal OAL  
CDCC8 - conduit canopy/cord, 8' nominal OAL  
CDCC12 - conduit canopy/cord, 12' nominal OAL

#### Stem

RS4 - rigid stem, 4' nominal OAL  
RS8 - rigid stem, 8' nominal OAL  
SS4<sup>R</sup> - swivel stem, 4' nominal OAL  
SS8<sup>R</sup> - swivel stem, 8' nominal OAL  
CDRS4 - conduit rigid stem, 4' nominal OAL  
CDRS8 - conduit rigid stem, 8' nominal OAL

#### Surface

SM<sup>R</sup> - surface mount  
CDSM<sup>R</sup> - conduit surface mount

#### Track/Cord (for use with LE/TE driver only)

TC8-TN1<sup>R</sup> - straight cord 8', Global GES 1cir/H-style, 120V  
TC8-TEK<sup>R</sup> - straight cord 8', Global TEK 2cir/2neut, 120V  
TC8-TN3<sup>R</sup> - straight cord 8', Global XTS 3cir, 120V  
TC8-TN2<sup>R</sup> - straight cord 8', Global HTEK 2cir/2neut, 277V  
TC8-CT<sup>R</sup> - straight cord 8', J-style, 120V  
TC8-LOL<sup>R</sup> - straight cord 8', L-style, 120V

<sup>R</sup> Not available for use with remote driver  
Consult factory for conduit mounting pricing  
Cord and Stem mounts are field cuttable  
For custom lengths, consult factory

**5** Voltage  
120\*  
277\*  
120-277  
\* For use with track/cord mounting options

**6** Trim Finish  
MW - matte white  
MB - matte black  
SLV - matte silver

**7** Beam Spreads (not applicable on RK350RLW)  
RK350RD                      RK350RLD  
VNF - very narrow flood, 18°      30SOL - 30° solite lens  
MFL - medium flood, 24°          40SOL - 40° solite lens  
FL - flood, 35°                      65SOL - 65° solite lens  
WF - wide flood, 44°

**8** Color Temp  
95 CRI  
309 - 3000K-95

**9** Driver  
LE/TE - TRIAC/ELV dimming, 5% dim  
0-10V - 0-10V dimming, 1% dim

# Rook® 350

3.5" Round Pendants Dim-To-Warm



## PROJECT:

## TYPE:

### Specifications

#### Application

Retail and commercial ambient/task lighting

#### Construction

Extruded aluminum pendant housing  
Die-cast trim  
Extruded aluminum heat sink

#### Optical

##### RK350RD Beam Spreads:

Very Narrow Flood, 18°; Medium Flood, 24°; Flood, 35°;  
Wide Flood, 44°

##### RK350RLD Beam Spreads:

Solite Lens for maximum efficacy and a visually quieter aperture. 30°, 40° & 65° beam spread options. Visually best with SLV reflector finish.

RK350RLW: Engineered nano technology lens provides high transmission while concealing LED image.

#### LED

Color Temp Options: 3000K (Dims to 1800K)

CRI: 95 typ. ( $\pm 3$  across dimming range)

R9 Values: 85

Binning: 3 MacAdam (SDCM)

Life: 50,000+ hrs, > 70% of initial lumens at 50,000 hrs

#### Electrical

Wattage: 13W

Electronic constant current LED driver, 120-277VAC input

**This product complies with IEEE C62.41 for surge endurance up to 2.5KV. Amerlux® recommends using additional surge protection with this unit (supplied by others), surge and over voltage damage is not covered under warranty.**

#### Drivers

LE/TE - Leading Edge, TRIAC, forward phase/Trailing Edge, ELV, reverse phase

0-10V also available

#### Finish

Powder coat paint

*Consult factory for custom finishes*

#### Mounting

Canopy/cord, rigid stem, swivel stem (not available for use with remote driver) or surface mounting (not available for use with remote driver)

Conduit mounting also available (see pg4 for details).

Overall length (OAL) is field adjustable and factory set at  $\pm 2$ " of nominal value.

Straight cord track mounting also available.

#### Certifications

CSA tested to UL standards

Indoor use only

Damp location

#### Warranty

5 year limited warranty

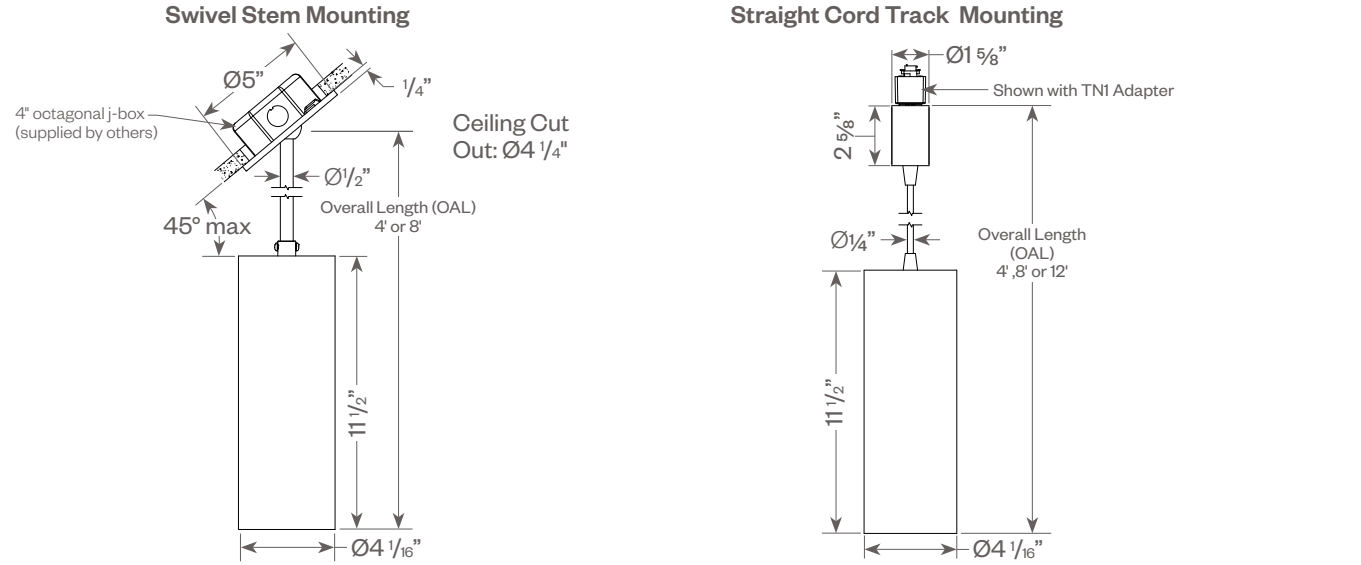
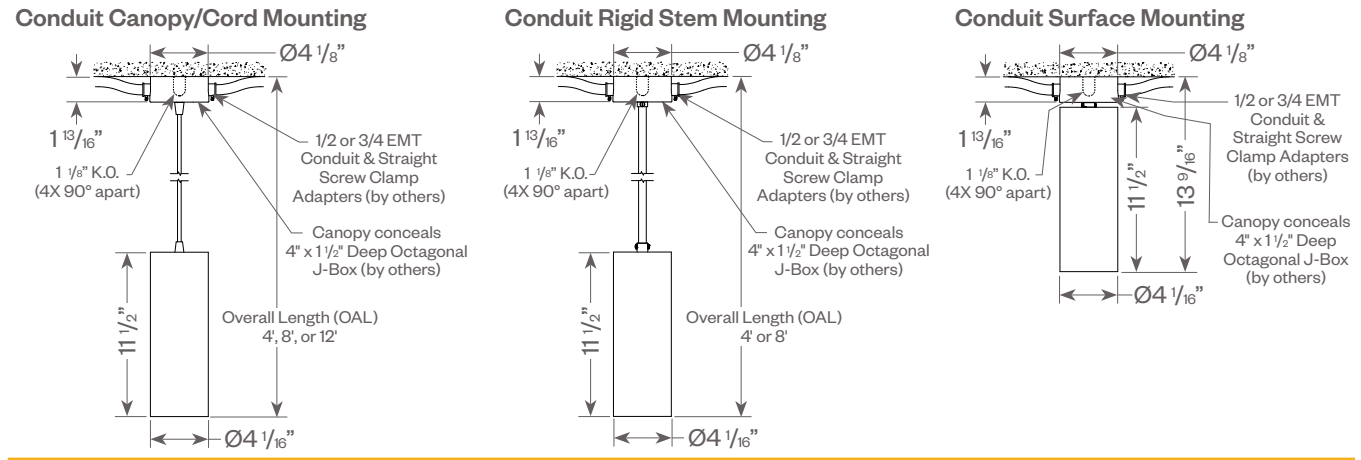
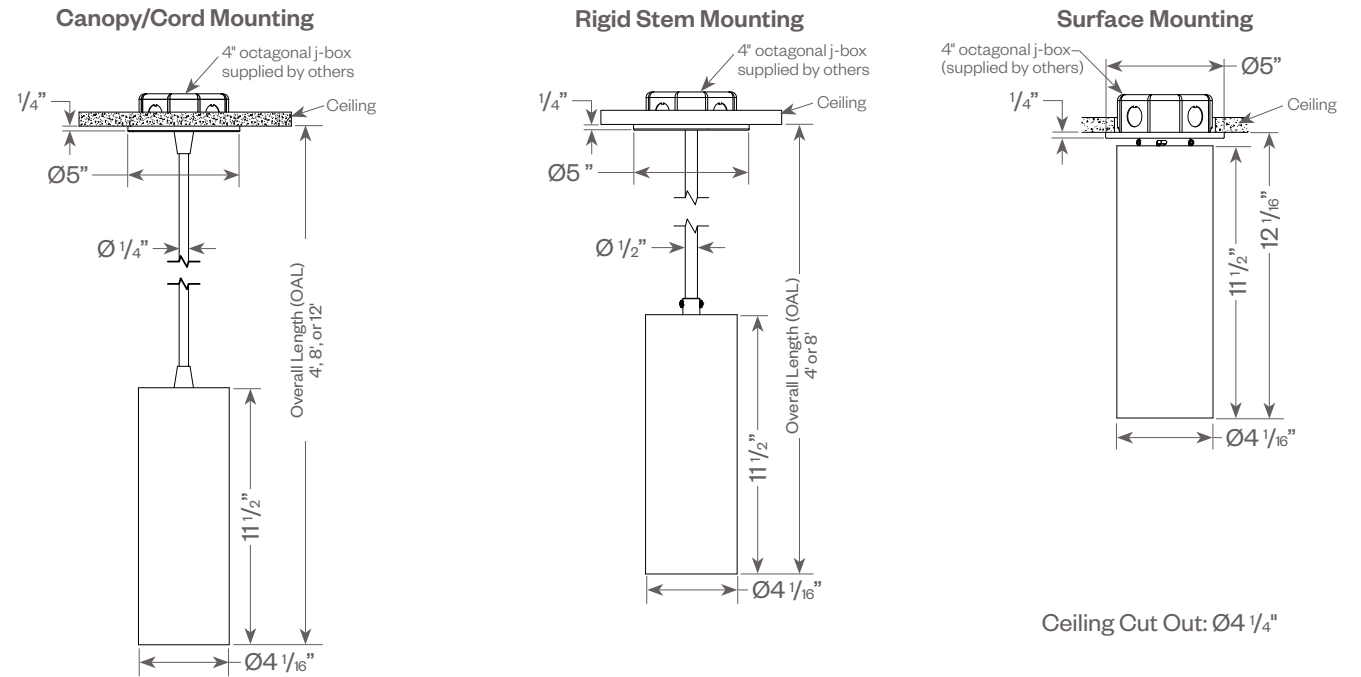
# Rook® 350

3.5" Round Pendants Dim-To-Warm



**PROJECT:**

**TYPE:**



Rook 350 DTW Round Pendants

# Rook® 350

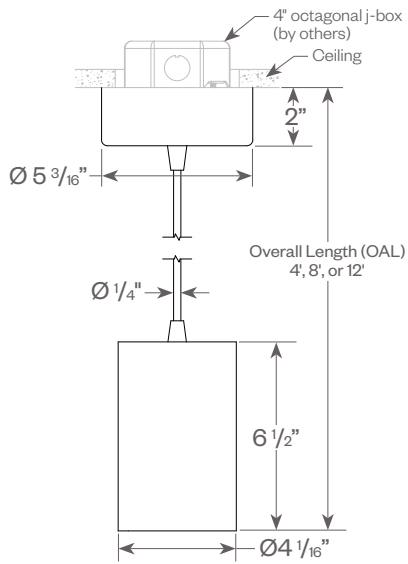
3.5" Round Pendants Dim-To-Warm



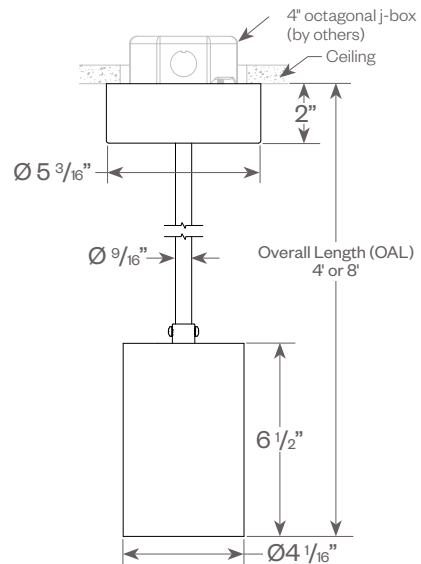
PROJECT:

TYPE:

## Remote Driver Canopy/Cord Mounting

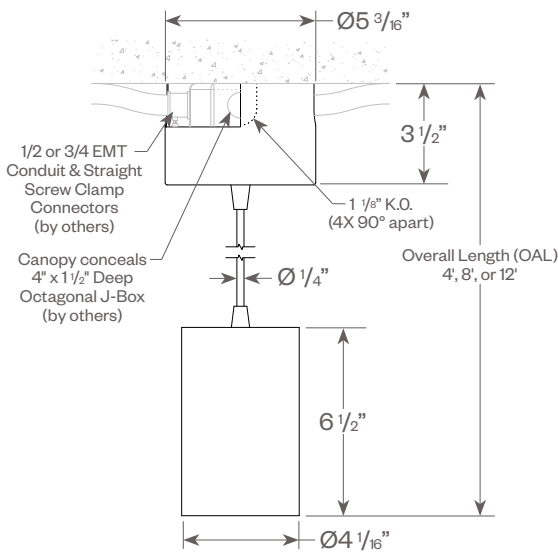


## Remote Driver Rigid Stem Mounting

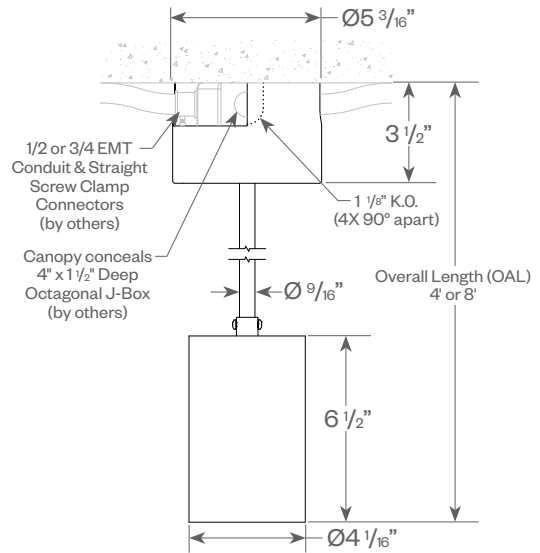


Ceiling Cut Out:  $\text{Ø} 4 \frac{1}{4}"$

## Remote Driver Conduit Canopy/Cord Mounting



## Remote Driver Conduit Rigid Stem Mounting



# Rook® 350

3.5" Round Pendants Dim-To-Warm



**PROJECT:**

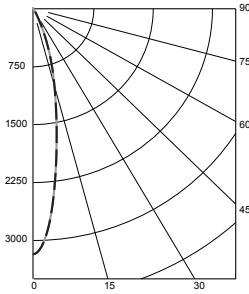
**TYPE:**

**RK350RD/RK350RD-REMOTE**

**FIXTURE DATA:** (Complete photometric data (.ies format) available upon request)

**13W LED, 3000K-95**

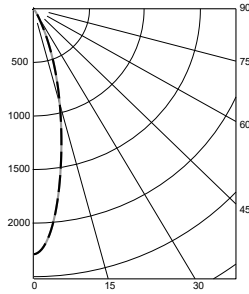
**Very Narrow Flood (VNF)**  
Distribution, 18°  
LTL #11919582.12  
Lumens: 672



**Candelas at Nadir**

Deg	Candela
0	3179
5	2638
15	1030
25	252
35	43
45	10

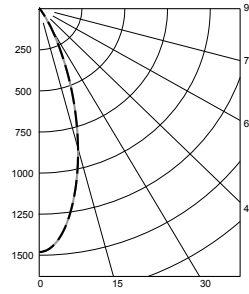
**Medium Flood (MFL)**  
Distribution, 25°  
LTL #11919582.13  
Lumens: 609



**Candelas at Nadir**

Deg	Candela
0	2291
5	2024
15	942
25	267
35	50
45	11

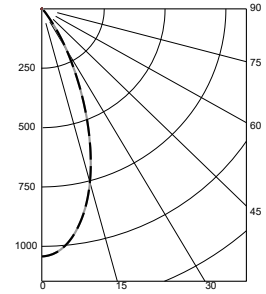
**Flood (FL)**  
Distribution, 35°  
LTL # 11919582.14  
Lumens: 582



**Candelas at Nadir**

Deg	Candela
0	1481
5	1395
15	882
25	331
35	63
45	13

**Wide Flood (WF)**  
Distribution, 45°  
LTL # 11919582.15  
Lumens: 540



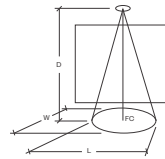
**Candelas at Nadir**

Deg	Candela
0	1042
5	1007
15	751
25	359
35	85
45	15

**Application Data:**

**0° Aiming Angle Horizontal Footcandles**

	D	FC	L	W
<b>Very Narrow Flood</b>	5.0'	122	1.8	1.8
	7.5'	55	2.9	2.9
	10.0'	31	3.7	3.7
	12.5'	20	4.6	4.6
<b>Medium Flood</b>	5.0'	88	2.3	2.3
	7.5'	40	3.3	3.3
	10.0'	23	4.4	4.4
	12.5'	15	5.5	5.5
<b>Flood</b>	5.0'	57	3.0	3.0
	7.5'	26	4.4	4.4
	10.0'	15	5.7	5.7
	12.5'	9	7.2	7.2
<b>Wide Flood</b>	5.0'	40	3.4	3.4
	7.5'	18	5.1	5.1
	10.0'	10	6.9	6.9
	12.5'	7	8.5	8.5



**Notes and Definitions:**

- Beam spread is to 50% center beam candlepower (CBCP).
- D**=Distance to floor or wall.
- FC**=Footcandles on floor or wall at center beam aiming location.
- L**=Effective Visual Beam length in feet (50% of maximum footcandle level).
- W**=Effective Visual Beam width in feet (50% of maximum footcandle level).
- CB**=Distance across or down to center beam location.

# Rook® 350

3.5" Round Pendants Dim-To-Warm



**PROJECT:**

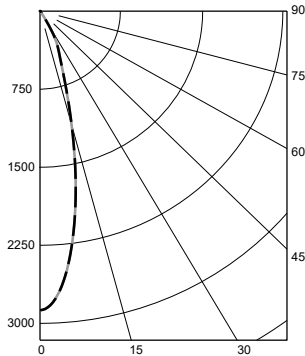
**TYPE:**

## RK350RLD/RK350RLD-REMOTE

**FIXTURE DATA:** (Complete photometric data (.ies format) available upon request)

**13W LED, 3000K-95**

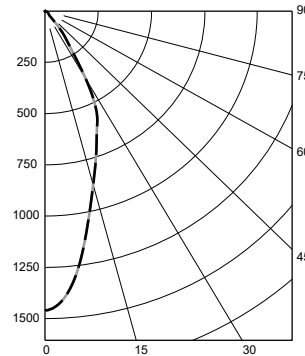
**30° Solite Lens**  
LTL # 11919582.24  
Lumens: 815



**Candelas at Nadir**

Deg	Candela
0	2874
5	2591
15	1168
25	411
35	41
45	18

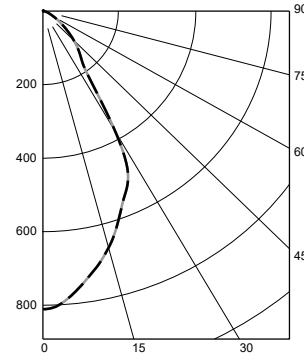
**40° Solite Lens**  
LTL # 11919582.25  
Lumens: 822



**Candelas at Nadir**

Deg	Candela
0	1460
5	1358
15	875
25	582
35	188
45	29

**65° Solite Lens**  
LTL # 11919582.26  
Lumens: 818



**Candelas at Nadir**

Deg	Candela
0	811
5	783
15	667
25	526
35	195
45	118

### Application Data:

**Notes and Definitions:**

Beam spread is to 50% center beam candlepower (CBCP).

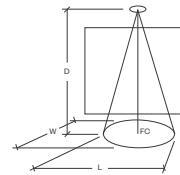
**D**=Distance to floor or wall.

**FC**=Footcandles on floor or wall at center beam aiming location.

**L**=Effective Visual Beam length in feet (50% of maximum footcandle level).

**W**=Effective Visual Beam width in feet (50% of maximum footcandle level).

**CB**=Distance across or down to center beam location.



**0° Aiming Angle  
Horizontal  
Footcandles**

	D	FC	L	W
<b>30° Solite Lens</b>	5.0'	115	2.3	2.3
	7.5'	51	3.3	3.3
	10.0'	29	4.5	4.5
	12.5'	19	5.6	5.6
<b>50° Solite Lens</b>	5.0'	59	3.1	3.1
	7.5'	26	4.5	4.5
	10.0'	15	5.9	5.9
	12.5'	10	7.5	7.5
<b>65° Solite Lens</b>	5.0'	33	4.4	4.4
	7.5'	15	6.7	6.7
	10.0'	8	9.1	9.1
	12.5'	5	11.7	11.7

# Rook® 350

3.5" Round Pendants Dim-To-Warm



**PROJECT:**

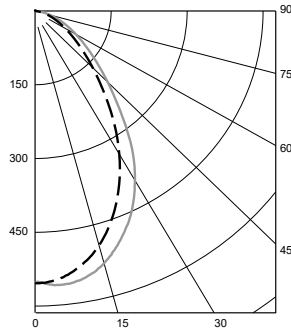
**TYPE:**

## RK350RLW/RK350RLW-REMOTE

**FIXTURE DATA:** (Complete photometric data (.ies format) available upon request)

**13W LED, 3000K-95**

LTL# 11919582.30  
Lumens: 841



**ZONAL LUMEN SUMMARY**

Zone	Lumens	%Fixt
0-40	544	64.7
0-60	761	90.5
0-90	841	100.0
90-180	0	0.0

**Luminaire Efficacy: 64.7 lm/W**

**Application Data:**

**Footcandles on Wall**

Footcandles are average and rounded off.  
Data for multiple units are based on a minimum of five units.

**1.5 Feet from Wall**

Distance from ceiling	0.5'	1.5'	2.5'	3.5'	4.5'	5.5'	6.5'	7.5'
0.5'	25	26	26	26	25			
1.5'	49	51	52	51	49			
2.5'	46	49	50	49	46			
3.5'	32	35	37	35	32			
4.5'	21	24	24	24	22			
5.5'	15	17	17	17	15			
6.5'	11	12	12	12	11			
7.5'	9	9	10	9	9			

**1.5 Feet from Wall**

Distance from ceiling	0.5'	1.5'	2.5'	3.5'	4.5'	5.5'	6.5'	7.5'
0.5'	19	21	19	21	19	21	19	
1.5'	37	40	39	41	38	40	37	
2.5'	36	38	38	39	38	38	36	
3.5'	25	27	28	28	28	27	26	
4.5'	17	19	20	20	20	19	18	
5.5'	12	14	14	14	14	14	13	
6.5'	9	10	11	11	11	10	10	
7.5'	7	8	8	9	9	8	8	

**2 Feet from Wall**

Distance from ceiling	0.5'	1.5'	2.5'	3.5'	4.5'	5.5'	6.5'	7.5'
0.5'	11	12	12	12	12	12	11	
1.5'	25	26	26	27	27	27	25	
2.5'	29	31	31	32	31	31	29	
3.5'	25	26	27	28	27	27	25	
4.5'	19	21	21	22	21	21	19	
5.5'	14	15	16	16	16	16	14	
6.5'	11	12	13	13	13	12	11	
7.5'	9	9	10	10	10	10	9	



# Rook® 350

3.5" Round Pendants Dim-To-Warm



**PROJECT:**

**TYPE:**

**DIMMING COMPATIBILITY:**

Amerlux® Rook fixtures are compatible with all major dimming protocols prevalent in the United States. Please see below for general compatibilities and wiring diagrams. Amerlux recommends testing your unique dimming configuration as the exact full configuration (Dimmer, Fixture Quantity, Voltage, etc) may affect dimming performance.

**--- NOTE: INFORMATION BELOW IS FOR WIRED DIMMERS ONLY. FOR WIRELESS DIMMERS, CONSULT FACTORY ---**

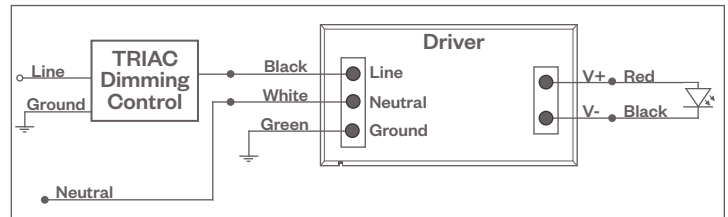
**TRIAC (Forward Phase) DIMMING (Standard)**

Utilizes "Standard" incandescent dimmers that are in wide use in installations across the US. Best for retrofit applications where TRIAC dimmers are installed.

**Notes:**

- 120VAC or 277VAC\*
- Dims down to less than 5% light output (most cases)
- Consult Dimming manufacturer for installation instructions - DO NOT SHARE NEUTRALS!
- Must meet dimmer Minimum Load Requirements per dimming manufacturer

**TRIAC Wiring Diagram**



**Compatible Dimmers†:**

Wall Box (Incandescent Style, Wattage as required)		Central System
Lutron "Diva"	Lutron "Vareo"	Lutron "GP" Panel
Lutron "Nova-T"	Lutron "Skylark"	Lutron Grafik Eye QS
Lutron "Maestro"		

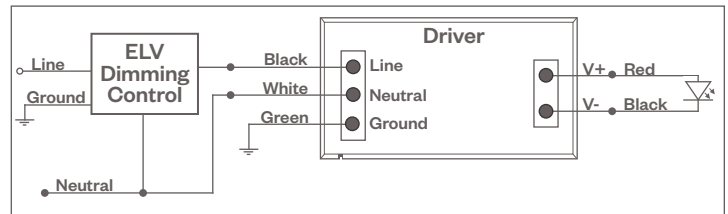
**ELV - Electronic Low Voltage (Reverse Phase) DIMMING (Standard)**

Utilizes specialized "ELV" dimmers.

**Notes:**

- 120VAC or 277VAC\*
- Dims down to less than 5% light output (most cases)
- Consult Dimming manufacturer for installation instructions - DO NOT SHARE NEUTRALS!
- Must meet dimmer Minimum Load Requirements

**ELV Wiring Diagram**



**Compatible Dimmers†:**

Wall Box (ELV Style)		Central System
Lutron "Diva"	Leviton "Surslide"	Lutron "GP" Panel with PHPM-PA Interface
Lutron "Nova-T"	Leviton "Vizio"	Lutron Grafik Eye QS with PHPM-PA Interface
Lutron "Maestro"		
Lutron "Vareo"		
Lutron "Skylark"		

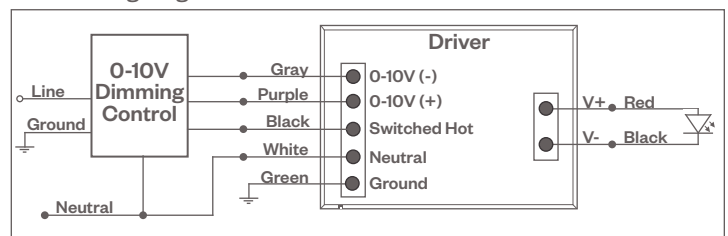
**0-10V - DIMMING (-0-10V Option)**

Integrates into a variety of building management and daylighting controls

**Notes:**

- 120VAC or 277VAC\*
- Dims down to 1% light output
- Requires interface to turn off power to driver
- Consult Dimming manufacturer for installation instructions - DO NOT SHARE NEUTRALS!

**0-10V Wiring Diagram**



**Compatible Dimmers†:**

Wall Box	Central System
Lutron "Diva" - DVTW with PP-120H Interface	Leviton Renoir II 0-10V
	Lutron Grafik Eye with GRX-TVI Interface

**Notes:**

- \* Driver is 277VAC dimmable with appropriate dimmer (by others). All provided wiring diagrams show 120VAC wiring colors and method. Please refer to 277VAC dimmer installation instructions for 277VAC wiring diagrams.
- † The absence of a dimmer from the lists above does not imply incompatibility. Please consult factory for compatibility inquiries.