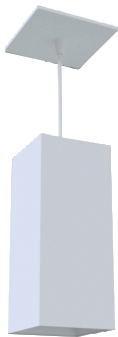


Rook® 350

3.5" Square Pendants



Pendant



Pendant w/Remote Driver

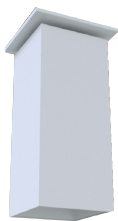
Features

High style, yet also versatile. Spare and modern, yet warm and welcoming. This striking Rook 350 re-imagines the Hornet HP Downlight line in a popular new pendant form. It's a fabulous solution for open ceilings, with the same aperture and drivers as Hornet HP Downlights—and yet its own distinctive style shines through. Rook 350 Pendant. Simply stunning.

Product Overview

Type:	Square Pendant
Wattage:	11, 16, 18 (SD version) or 14, 21 (SLD version)
Color Temp:	2200K, 2700K, 3000K, 3500K, 4000K
CRI:	83 typ. (2700K, 3000K, 3500K, 4000K) 90+ typ. (2200K, 2700K, 3000K, 3500K, 4000K) CrispWhite & Class A LED available
Dimming:	TRIAC & ELV (120V/277V) - 5% Dim Lutron Hi-lume® H Series/EcoSystem - 1% dim with soft on, fade to black, 120V/277V 0-10V (120V/277V) - 1% Dim

PROJECT:



Surface Mount



Conduit Surface Mount

TYPE:

Performance Chart

Watts	Delivered Lumens	LPW	CBCP	Color Temp
Rook 350 SD				
11	796	72.4	7,627	3000K-83
16	1,162	72.6	11,128	3000K-83
18	1,305	72.5	12,503	3000K-83
Rook 350 SLD				
14	1,429	102	2,025	3000K-83
21	2,133	101.6	3,023	3000K-83

*Data is based on 3000K-83 IES files available on website
See pages 5-6 for data on other beam spreads*

Electrical Data

	Rook 350 SD					
	11W		16W		18W	
	System Watts	Amps	System Watts	Amps	System Watts	Amps
120V	11	0.09	16	0.13	18	0.15
277V	11	0.04	16	0.06	18	0.06

	Rook 350 SLD			
	14W		21W	
	System Watts	Amps	System Watts	Amps
120V	14	0.12	21	0.18
277V	14	0.05	21	0.08

Electronic constant current LED driver



Rook® 350

3.5" Square Pendants



PROJECT:

TYPE:

Ordering Information



- | | | | | | | | | | | | | | | | | | | | | | | | | | | | | | | | | | | | | | | | | | | | |
|--|-----------------------------------|---------------------------------------|-----------|-----------|-----------|-----------|------------|--|---|----------------|-----------------|-----------------------|--------------------------------|-------------------------------|--------------------------------|--------------------------------|--------------------------------|------------------------|-----------------------------------|-----------------------------|--|-----------------------------------|--|------------------------------------|--|---------------|----------------|--|----------------------|------------------------|---------------------------------------|----------------------|------------------------|--------------------------|----------------------|------------------------|--|----------------------|------------------------|--|--|------------------------|--|
| <p>1 <u>Model</u>
 RK350SD
 RK350SD-REMOTE (Remote Driver)
 RK350SLD (Lensed)
 RK350SLD-REMOTE (Lensed, Remote Driver)</p> <p>2 <u>Wattage</u></p> <table border="0"> <tr> <td>RK350SD</td> <td>RK350SLD</td> </tr> <tr> <td>11</td> <td>14</td> </tr> <tr> <td>16</td> <td>21</td> </tr> <tr> <td>18°</td> <td></td> </tr> </table> <p>° Not available for use with CrispWhite color temp</p> <p>3 <u>Housing Finish</u>
 MW - matte white
 MB - matte black
 SLV - matte silver</p> <p>4 <u>Mounting</u> (matches housing finish)
 <u>Canopy/Cord</u>
 CC4 - canopy/cord, 4' nominal OAL
 CC8 - canopy/cord, 8' nominal OAL
 CC12 - canopy/cord, 12' nominal OAL
 CDCC4 - conduit canopy/cord, 4' nominal OAL
 CDCC8 - conduit canopy/cord, 8' nominal OAL
 CDCC12 - conduit canopy/cord, 12' nominal OAL</p> <p><u>Stem</u>
 RS4 - rigid stem, 4' nominal OAL
 RS8 - rigid stem, 8' nominal OAL
 SS4^R - swivel stem, 4' nominal OAL
 SS8^R - swivel stem, 8' nominal OAL
 CDRS4 - conduit rigid stem, 4' nominal OAL
 CDRS8 - conduit rigid stem, 8' nominal OAL</p> <p><u>Surface</u>
 SM^R - surface mount
 CDSM^R - conduit surface mount</p> <p><u>Track/Cord</u> (for use with LE/TE driver only)
 TC8-TN1^R - straight cord 8', Global GES 1cir/H-style, 120V
 TC8-TEK^R - straight cord 8', Global TEK 2cir/2neut, 120V
 TC8-TN3^R - straight cord 8', Global XTS 3cir, 120V
 TC8-TN2^R - straight cord 8', Global HTEK 2cir/2neut, 277V
 TC8-CT^R - straight cord 8', J-style, 120V
 TC8-LOL^R - straight cord 8', L-style, 120V</p> <p>^R Not available for use with remote driver
 Consult factory for conduit mounting pricing
 Cord and Stem mounts are field cuttable
 For custom lengths, consult factory</p> | RK350SD | RK350SLD | 11 | 14 | 16 | 21 | 18° | | <p>5 <u>Voltage</u>
 120*
 277*
 120-277
 * For use with track/cord mounting options</p> <p>6 <u>Trim Finish</u>
 MW - matte white
 MB - matte black
 SLV - matte silver</p> <p>7 <u>Beam Spreads</u></p> <table border="0"> <tr> <td>RK350SD</td> <td>RK350SLD</td> </tr> <tr> <td>SP - spot, 15°</td> <td>30SOL - 30° solite lens</td> </tr> <tr> <td>NF - narrow flood, 20°</td> <td>50SOL - 50° solite lens</td> </tr> <tr> <td>MFL - medium flood, 24°</td> <td>65SOL - 65° solite lens</td> </tr> <tr> <td>FL - flood, 28°</td> <td>75SAT - 75° satin ice lens</td> </tr> <tr> <td>WF - wide flood, 45°</td> <td></td> </tr> <tr> <td>VWF - very wide flood, 60°</td> <td></td> </tr> <tr> <td>LS - linear spread, 60°x10°</td> <td></td> </tr> </table> <p>8 <u>Color Temp</u></p> <table border="0"> <tr> <td>83 CRI</td> <td>90+ CRI</td> <td></td> </tr> <tr> <td>27 - 2700K-83</td> <td>229 - 2200K-90+</td> <td>CRISP⁺ - CrispWhite</td> </tr> <tr> <td>30 - 3000K-83</td> <td>279 - 2700K-90+</td> <td>3CLA - 3K Class A</td> </tr> <tr> <td>35 - 3500K-83</td> <td>309 - 3000K-90+</td> <td></td> </tr> <tr> <td>40 - 4000K-83</td> <td>359 - 3500K-90+</td> <td></td> </tr> <tr> <td></td> <td>409 - 4000K-90+</td> <td></td> </tr> </table> <p>† Not available for 18W (SD model)</p> <p>9 <u>Driver</u>
 LE/TE - TRIAC/ELV dimming, 5% dim
 0-10V - 0-10V dimming; 1% dim
 HILUME-H-ECO - Lutron Hi-lume® H Series, EcoSystem, 1% dim with soft on, fade to black</p> | RK350SD | RK350SLD | SP - spot, 15° | 30SOL - 30° solite lens | NF - narrow flood, 20° | 50SOL - 50° solite lens | MFL - medium flood, 24° | 65SOL - 65° solite lens | FL - flood, 28° | 75SAT - 75° satin ice lens | WF - wide flood, 45° | | VWF - very wide flood, 60° | | LS - linear spread, 60°x10° | | 83 CRI | 90+ CRI | | 27 - 2700K-83 | 229 - 2200K-90+ | CRISP⁺ - CrispWhite | 30 - 3000K-83 | 279 - 2700K-90+ | 3CLA - 3K Class A | 35 - 3500K-83 | 309 - 3000K-90+ | | 40 - 4000K-83 | 359 - 3500K-90+ | | | 409 - 4000K-90+ | |
| RK350SD | RK350SLD | | | | | | | | | | | | | | | | | | | | | | | | | | | | | | | | | | | | | | | | | | |
| 11 | 14 | | | | | | | | | | | | | | | | | | | | | | | | | | | | | | | | | | | | | | | | | | |
| 16 | 21 | | | | | | | | | | | | | | | | | | | | | | | | | | | | | | | | | | | | | | | | | | |
| 18° | | | | | | | | | | | | | | | | | | | | | | | | | | | | | | | | | | | | | | | | | | | |
| RK350SD | RK350SLD | | | | | | | | | | | | | | | | | | | | | | | | | | | | | | | | | | | | | | | | | | |
| SP - spot, 15° | 30SOL - 30° solite lens | | | | | | | | | | | | | | | | | | | | | | | | | | | | | | | | | | | | | | | | | | |
| NF - narrow flood, 20° | 50SOL - 50° solite lens | | | | | | | | | | | | | | | | | | | | | | | | | | | | | | | | | | | | | | | | | | |
| MFL - medium flood, 24° | 65SOL - 65° solite lens | | | | | | | | | | | | | | | | | | | | | | | | | | | | | | | | | | | | | | | | | | |
| FL - flood, 28° | 75SAT - 75° satin ice lens | | | | | | | | | | | | | | | | | | | | | | | | | | | | | | | | | | | | | | | | | | |
| WF - wide flood, 45° | | | | | | | | | | | | | | | | | | | | | | | | | | | | | | | | | | | | | | | | | | | |
| VWF - very wide flood, 60° | | | | | | | | | | | | | | | | | | | | | | | | | | | | | | | | | | | | | | | | | | | |
| LS - linear spread, 60°x10° | | | | | | | | | | | | | | | | | | | | | | | | | | | | | | | | | | | | | | | | | | | |
| 83 CRI | 90+ CRI | | | | | | | | | | | | | | | | | | | | | | | | | | | | | | | | | | | | | | | | | | |
| 27 - 2700K-83 | 229 - 2200K-90+ | CRISP⁺ - CrispWhite | | | | | | | | | | | | | | | | | | | | | | | | | | | | | | | | | | | | | | | | | |
| 30 - 3000K-83 | 279 - 2700K-90+ | 3CLA - 3K Class A | | | | | | | | | | | | | | | | | | | | | | | | | | | | | | | | | | | | | | | | | |
| 35 - 3500K-83 | 309 - 3000K-90+ | | | | | | | | | | | | | | | | | | | | | | | | | | | | | | | | | | | | | | | | | | |
| 40 - 4000K-83 | 359 - 3500K-90+ | | | | | | | | | | | | | | | | | | | | | | | | | | | | | | | | | | | | | | | | | | |
| | 409 - 4000K-90+ | | | | | | | | | | | | | | | | | | | | | | | | | | | | | | | | | | | | | | | | | | |

Rook® 350

3.5" Square Pendants



PROJECT:

TYPE:

Specifications

Application

Retail and commercial ambient/task lighting

Construction

Extruded aluminum pendant housing
Die-cast trim
Extruded aluminum heat sink

Optical

RK350SD Beam Spreads:
Spot, 15°; Narrow Flood, 22°; Medium Flood, 25°; Flood, 28°;
Wide Flood, 45°; Very Wide Flood, 60°;
Linear Spread, 60° x 10°

RK350SLD Beam Spreads:
Satin Ice Lens for maximum source concealment and wide distribution with a visually "hotter" aperture. 75° beam spread.
Solite Lens for maximum efficacy and a visually quieter aperture. 30°, 50° & 65° beam spread options. Visually best with SLV reflector finish.

LED

Color Temp Options:
2200K, 2700K, 3000K, 3500K, 4000K
CRI: 83 typ. (2700K, 3000K, 3500K, 4000K)
90+ typ. (2200K, 2700K, 3000K, 3500K, 4000K)
CrispWhite* LED available (16W max SD version)
Class A** 3000K LED available

R9 Values: 11 (83 CRI), 55 (92 CRI)
Binning: 3 MacAdam (SDCM)
Life: 50,000+ hrs, > 70% of initial lumens at 50,000 hrs

**CrispWhite: CrispWhite Technology delivers the warmth of colors expected from a high 90 CRI solution but also creates the natural crisp white color that is pleasing to the eye. It creates the most impactful lighting ever available, by revealing the richest whites and vibrant colors that pop.*

***Class A LED: Class A LED's have a CRI > 80 and a GAI > 80. CRI defines color "Naturalness" and GAI defines color "Saturation." Both being high delivers rich colors and pure whites.*

Electrical

Wattage: 11, 16, 18 (SD version) or 14, 21 (SLD version)
Electronic constant current LED driver, 120V-277V input
This product complies with IEEE C62.41 for surge endurance up to 2.5KV. Amerlux® recommends using additional surge protection with this unit (supplied by others), surge and over voltage damage is not covered under warranty.

Drivers

LE/TE - Leading Edge, TRIAC, forward phase/Trailing Edge, ELV, reverse phase
0-10V and Lutron also available
See pages 8-9 for more dimming information

Finish

Powder coat paint
Consult factory for custom finishes

Mounting

Canopy/cord, rigid stem, swivel stem (not available for use with remote driver) or surface mounting (not available for use with remote driver)
Conduit mounting also available (see pg4 for details).
Overall length (OAL) is field adjustable and factory set at ± 2" of nominal value.
Straight cord track mounting also available.

Certifications

CSA tested to UL standards
Indoor use only
Damp location

Warranty

5 year limited warranty

Rook® 350

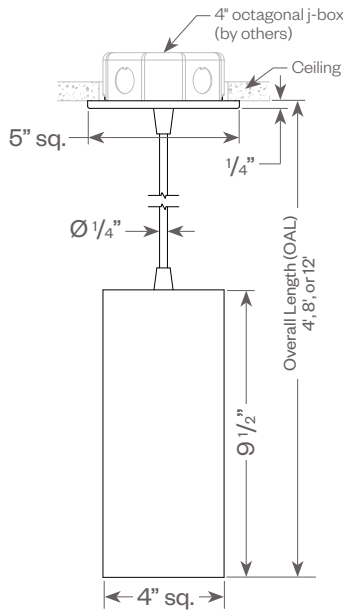
3.5" Square Pendants



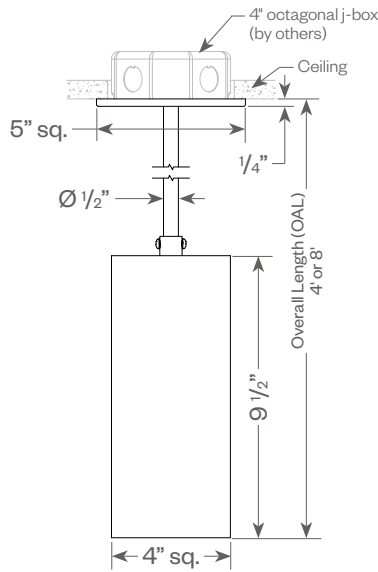
PROJECT:

TYPE:

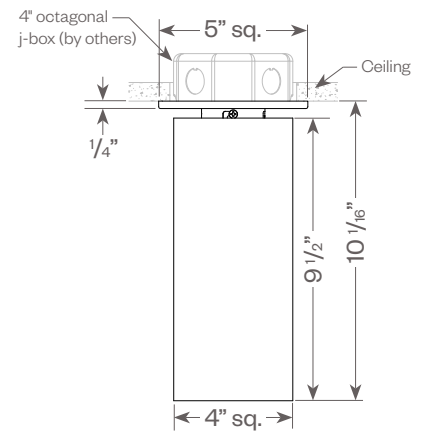
Canopy/Cord Mounting



Rigid Stem Mounting

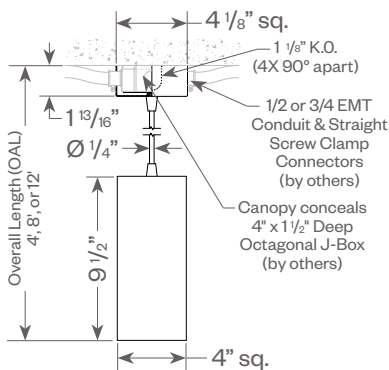


Surface Mounting

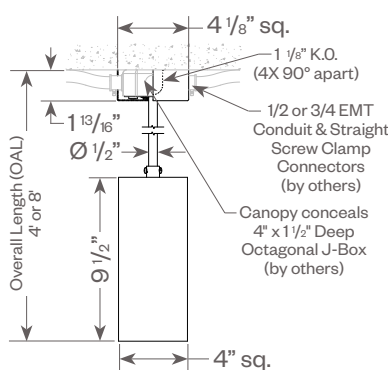


Ceiling Cut Out: $\text{Ø}4 \frac{1}{4}$ "

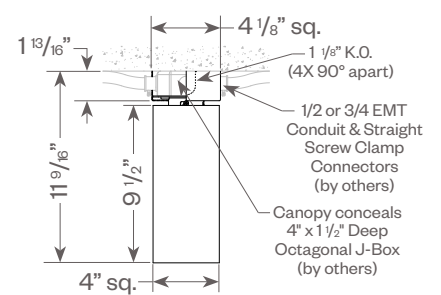
Conduit Canopy/Cord Mounting



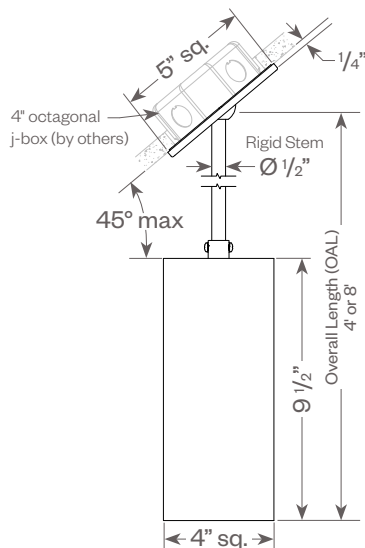
Conduit Rigid Stem Mounting



Conduit Surface Mounting

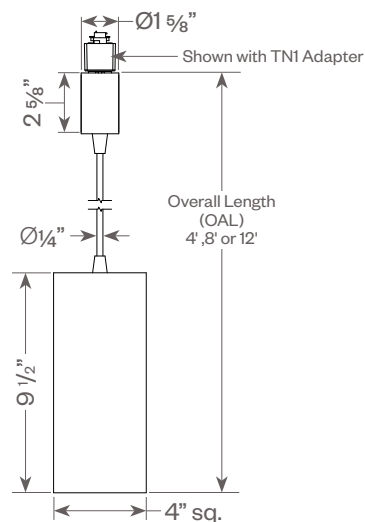


Swivel Stem Mounting



Ceiling Cut Out: $\text{Ø}4 \frac{1}{4}$ "

Straight Cord Track Mounting



Rook® 350

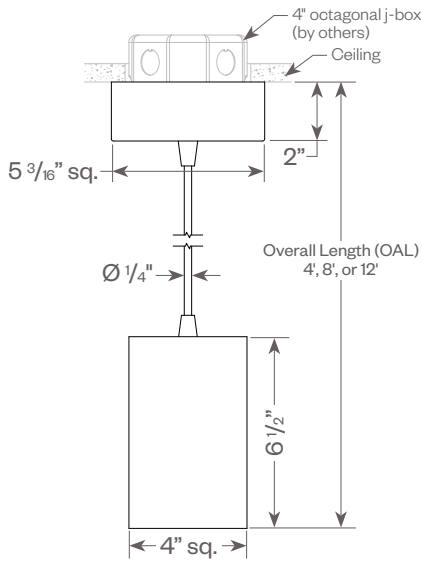
3.5" Square Pendants



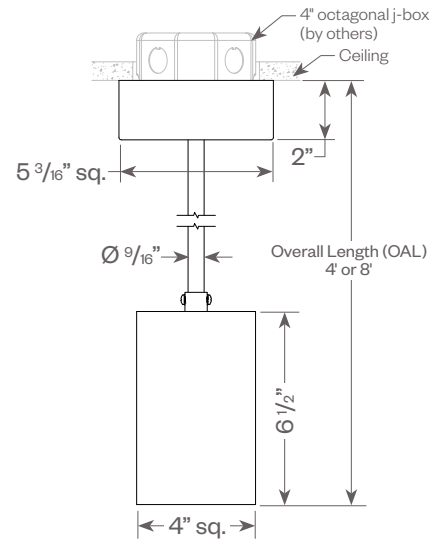
PROJECT:

TYPE:

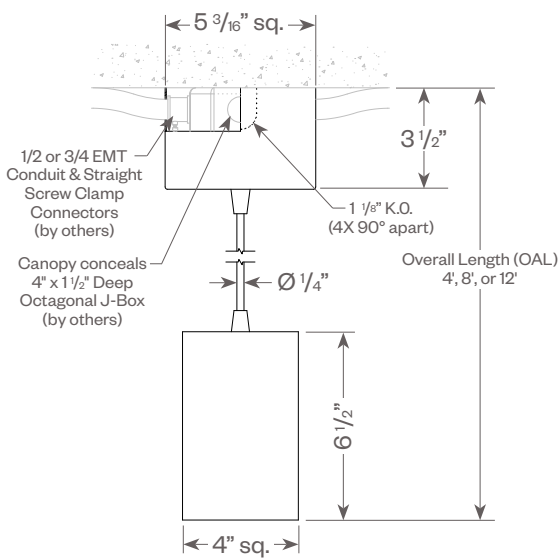
Remote Driver Canopy/Cord Mounting



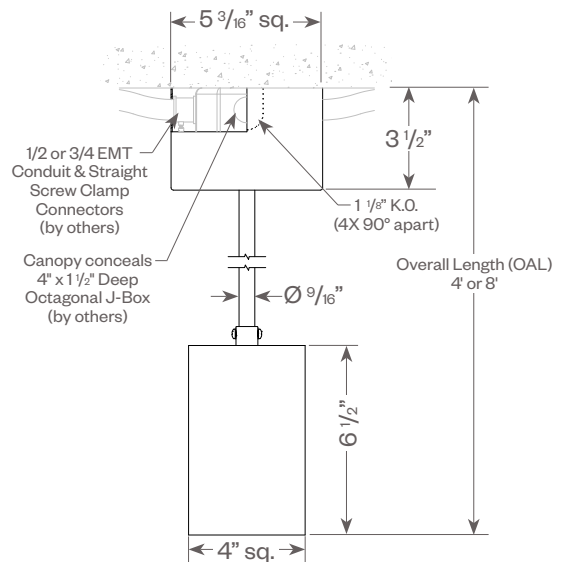
Remote Driver Rigid Stem Mounting



Remote Driver Conduit Canopy/Cord Mounting



Remote Driver Conduit Rigid Stem Mounting



Rook® 350

3.5" Square Pendants



PROJECT:

TYPE:

RK350SD/RK350SD-REMOTE

FIXTURE DATA: (Complete photometric data (.ies format) available upon request)

MULTIPLYING FACTORS: (Multiplying Factor is based on 3000K-83 120V IES file on website)

Wattage:	11W	16W	18W
Factor:	0.61	0.89	1.0

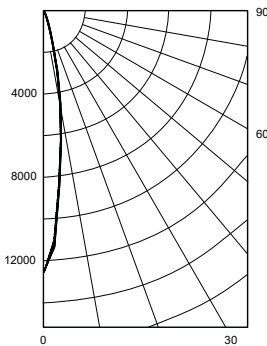
CCT:	2700K-83	3000K-83	3500K-83	4000K-83
Factor:	0.96	1.0	1.02	1.04

CCT:	2200K-90+	2700K-90+	3000K-90+	3500K-90+	4000K-90+	CRISP*	3CLA
Factor:	0.71	0.80	0.83	0.87	0.90	0.65	0.75

* Not available for use with 18W

18W LED, 3000K-83

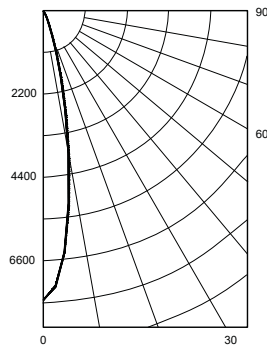
Spot (SP) Distribution, 15°
LTL #818202
Lumens: 1,305



Candelas at Nadir

Deg	Candela
0	12503
5	8267
15	1659
25	185
35	34
45	2

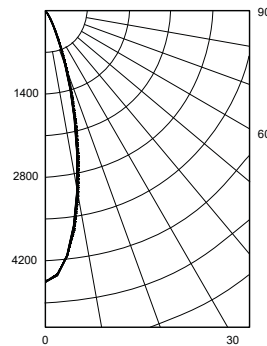
Narrow Flood (NF) Distribution, 22°
LTL #818203
Lumens: 1,216



Candelas at Nadir

Deg	Candela
0	7621
5	6414
15	1904
25	282
35	49
45	4

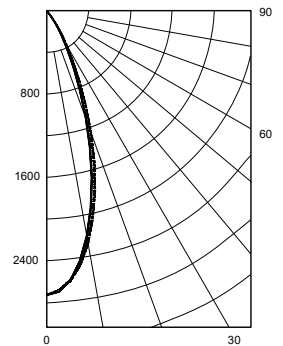
Flood (FL) Distribution, 28°
LTL # 818205
Lumens: 1,170



Candelas at Nadir

Deg	Candela
0	4540
5	4130
15	2019
25	490
35	81
45	5

Wide Flood (WF) Distribution, 45°
LTL # 818206
Lumens: 1,166

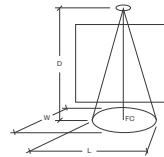


Candelas at Nadir

Deg	Candela
0	2721
5	2581
15	1751
25	712
35	161
45	7

Application Data:

		0° Aiming Angle Horizontal Footcandles			
		D	FC	L	W
Spot	5.0'	290	1.9	1.9	
	7.5'	161	2.6	2.6	
	10.0'	101	3.1	3.1	
	12.5'	69	3.7	3.7	
Narrow Flood	5.0'	219	2.2	2.2	
	7.5'	114	3.0	3.0	
	10.0'	69	3.8	3.8	
	12.5'	45	4.7	4.7	
Flood	5.0'	141	2.7	2.7	
	7.5'	70	3.7	3.7	
	10.0'	42	4.9	4.9	
	12.5'	27	6.0	6.0	
Wide Flood	5.0'	97	3.3	3.3	
	7.5'	46	4.8	4.8	
	10.0'	26	6.3	6.3	
	12.5'	17	7.7	7.7	



Notes and Definitions:

Beam spread is to 50% center beam candlepower (CBCP).

D=Distance to floor or wall.

FC=Footcandles on floor or wall at center beam aiming location.

L=Effective Visual Beam length in feet (50% of maximum footcandle level).

W=Effective Visual Beam width in feet (50% of maximum footcandle level).

CB=Distance across or down to center beam location.

Rook® 350

3.5" Square Pendants



PROJECT:

TYPE:

RK350SLD/RK350SLD-REMOTE

FIXTURE DATA: (Complete photometric data (.ies format) available upon request)

MULTIPLYING FACTORS: (Multiplying Factor is based on 3000K-83 120V IES file on website)

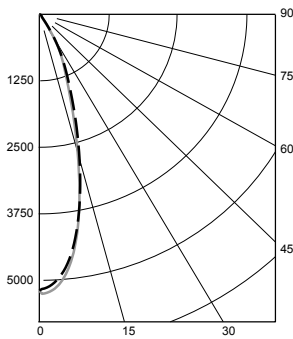
Wattage:	14W	21W
Factor:	0.67	1.0

CCT:	2700K-83	3000K-83	3500K-83	4000K-83
Factor:	0.96	1.0	1.02	1.04

CCT:	2200K-90+	2700K-90+	3000K-90+	3500K-90+	4000K-90+	CRISP	3CLA
Factor:	0.66	0.83	0.86	0.90	0.93	0.65	0.70

21W LED, 3000K-83

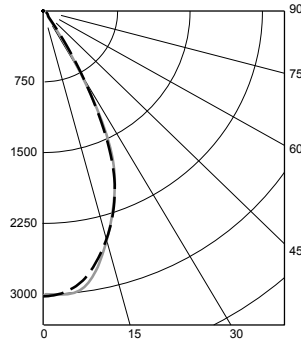
30° Solite Lens
LTL # 13408034.06
Lumens: 2080 lm; 92.1 lm/W



Candelas at Nadir

Deg	Candela
0	5191
5	4959
15	2524
25	955
35	141
45	58

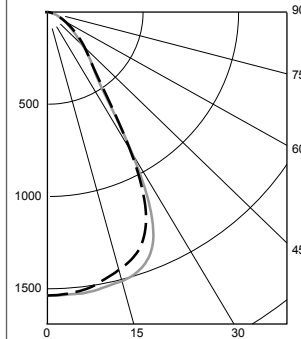
50° Solite Lens
LTL # 13408034.07
Lumens: 2133 lm; 94.5 lm/W



Candelas at Nadir

Deg	Candela
0	3023
5	3010
15	2495
25	1604
35	180
45	66

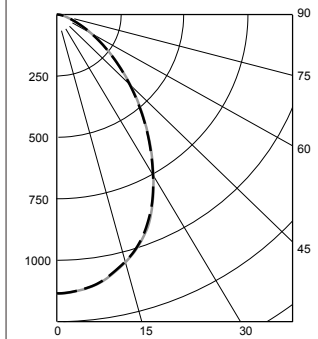
65° Solite Lens
LTL # 13408034.08
Lumens: 2073 lm; 91.9 lm/W



Candelas at Nadir

Deg	Candela
0	1537
5	1535
15	1509
25	1305
35	479
45	267

75° Satin Ice Lens
LTL # 13408034.09
Lumens: 1925 lm; 85.9 lm/W



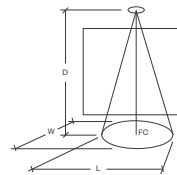
Candelas at Nadir

Deg	Candela
0	1135
5	1125
15	1043
25	880
35	636
45	410

Application Data:

Notes and Definitions:

- Beam spread is to 50% center beam candlepower (CBCP).
- D**=Distance to floor or wall.
- FC**=Footcandles on floor or wall at center beam aiming location.
- L**=Effective Visual Beam length in feet (50% of maximum footcandle level).
- W**=Effective Visual Beam width in feet (50% of maximum footcandle level).
- CB**=Distance across or down to center beam location.



30° Solite Lens

0° Aiming Angle
Horizontal
Footcandles

D	FC	L	W
5.0'	208	2.6	2.6
7.5'	93	3.7	3.8
10.0'	52	5.0	5.2
12.5'	34	6.3	6.4

50° Solite Lens

0° Aiming Angle
Horizontal
Footcandles

D	FC	L	W
5.0'	122	4.1	4.1
7.5'	54	6.1	6.1
10.0'	31	8.2	8.2
12.5'	20	10.3	10.2

65° Solite Lens

0° Aiming Angle
Horizontal
Footcandles

D	FC	L	W
5.0'	62	5.2	5.1
7.5'	28	7.9	7.7
10.0'	16	10.6	10.4
12.5'	10	13.4	13.2

75° Satin Ice Lens

0° Aiming Angle
Horizontal
Footcandles

D	FC	L	W
5.0'	44	5.5	5.5
7.5'	20	8.1	8.1
10.0'	12	10.9	10.9
12.5'	8	14.1	14.0

Rook® 350

3.5" Square Pendants



PROJECT:

TYPE:

DIMMING COMPATIBILITY:

Amerlux® Rook fixtures are compatible with all major dimming protocols prevalent in the United States. Please see below for general compatibilities and wiring diagrams. Amerlux recommends testing your unique dimming configuration as the exact full configuration (Dimmer, Fixture Quantity, Voltage, etc) may affect dimming performance.

--- NOTE: INFORMATION BELOW IS FOR WIRED DIMMERS ONLY. FOR WIRELESS DIMMERS, CONSULT FACTORY ---

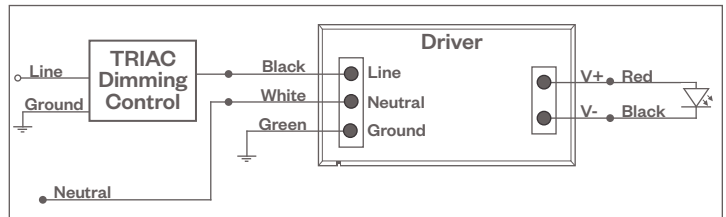
TRIAC (Forward Phase) DIMMING (Standard)

Utilizes "Standard" incandescent dimmers that are in wide use in installations across the US. Best for retrofit applications where TRIAC dimmers are installed.

Notes:

- 120V or 277V*
- Dims down to less than 5% light output (most cases)
- Consult Dimming manufacturer for installation instructions - DO NOT SHARE NEUTRALS!
- Must meet dimmer Minimum Load Requirements per dimming manufacturer

TRIAC Wiring Diagram



Compatible Dimmers†:

Wall Box (Incandescent Style, Wattage as required)		Central System
Lutron "Diva"	Lutron "Vareo"	Lutron "GP" Panel
Lutron "Nova-T"	Lutron "Skylark"	Lutron Grafik Eye QS
Lutron "Maestro"		

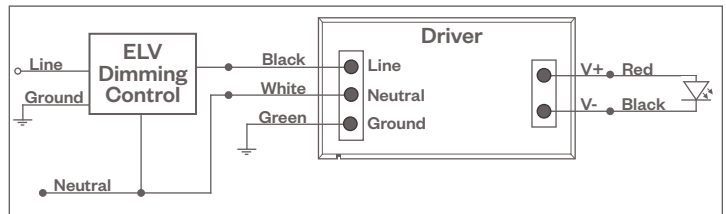
ELV - Electronic Low Voltage (Reverse Phase) DIMMING (Standard)

Utilizes specialized "ELV" dimmers.

Notes:

- 120V or 277V*
- Dims down to less than 5% light output (most cases)
- Consult Dimming manufacturer for installation instructions - DO NOT SHARE NEUTRALS!
- Must meet dimmer Minimum Load Requirements

ELV Wiring Diagram



Compatible Dimmers†:

Wall Box (ELV Style)		Central System
Lutron "Diva"	Leviton "Surslide"	Lutron "GP" Panel with PHPM-PA Interface
Lutron "Nova-T"	Leviton "Vizio"	Lutron Grafik Eye QS with PHPM-PA Interface
Lutron "Maestro"		
Lutron "Vareo"		
Lutron "Skylark"		

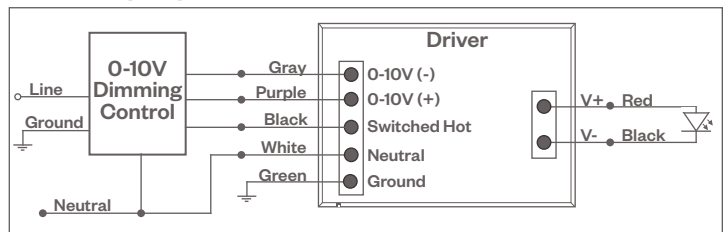
0-10V - DIMMING (-0-10V Option)

Integrates into a variety of building management and daylighting controls

Notes:

- 120V or 277V*
- Dims down to 1% light output
- Requires interface to turn off power to driver
- Consult Dimming manufacturer for installation instructions - DO NOT SHARE NEUTRALS!

0-10V Wiring Diagram



Compatible Dimmers†:

Wall Box	Central System
Lutron "Diva" - DVTV with PP-120H Interface	Leviton Renoir II 0-10V
	Lutron Grafik Eye with GRX-TVI Interface

Notes:

- * Driver is 277V dimmable with appropriate dimmer (by others). All provided wiring diagrams show 120V wiring colors and method. Please refer to 277V dimmer installation instructions for 277V wiring diagrams.
- † The absence of a dimmer from the lists above does not imply incompatibility. Please consult factory for compatibility inquiries.

Rook® 350

3.5" Square Pendants



PROJECT:

TYPE:

DIMMING COMPATIBILITY:

Amerlux® Rook fixtures are compatible with all major dimming protocols prevalent in the United States. Please see below for general compatibilities and wiring diagrams. Amerlux recommends testing your unique dimming configuration as the exact full configuration (Dimmer, Fixture Quantity, Voltage, etc) may affect dimming performance.

--- NOTE: INFORMATION BELOW IS FOR WIRED DIMMERS ONLY. FOR WIRELESS DIMMERS, CONSULT FACTORY ---

LUTRON H-SERIES / ECOSYSTEM (-HILUME-H-ECO Option)

Integrates into Lutron EcoSystem building management

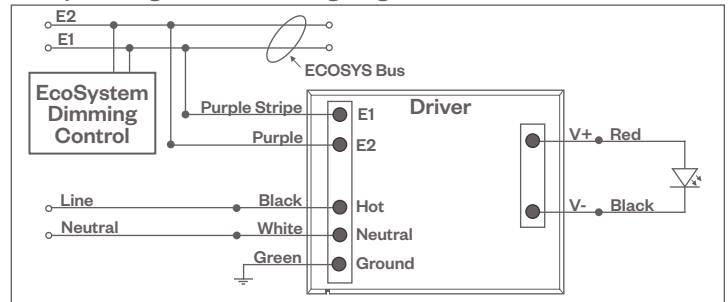
Notes:

- 120V or 277V*
- Dims down to 1% light output
- EcoSystem Control
- Consult Dimming manufacturer for installation instructions - DO NOT SHARE NEUTRALS!

Compatible Dimmers†:

Wall Box	Central System
Lutron "Diva"	Lutron EcoSystem compatible controls
Lutron "Nova-T"	
Lutron "Maestro"	
Lutron "Vareo"	

**HILUME-H-ECO, HILUME-5-ECO
EcoSystem Digital Control Wiring Diagram**



Notes:

- * Driver is 277V dimmable with appropriate dimmer (by others). All provided wiring diagrams show 120V wiring colors and method. Please refer to 277V dimmer installation instructions for 277V wiring diagrams.
- † The absence of a dimmer from the lists above does not imply incompatibility. Please consult factory for compatibility inquiries.