

Rook® 350

3.5" Round Pendants, Dim-to-Warm



PROJECT:

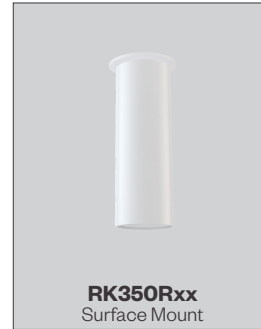
TYPE:

Features

Add ambiance to any hospitality, residential, retail or commercial space. Amerlux Rook Pendant Dim-To-Warm option offers a lower kelvin temperature as you dim the lights. An adaptable light source in a cost-effective, solid state lighting package. The Dim-To-Warm option can tap into the powerful mediums of light and color to enhance the experience, well-being, and human emotion. Amerlux Dim-To-Warm allows designers to simulate the familiar glow and dimming of incandescent lamps.

Product Overview

Type: Round Pendant
 Wattage: 13W
 Color Temp: 3000K to 1800K
 CRI: 95 typ.
 Dimming: TRIAC & ELV, 5% Dim, 120V/277VAC
 0-10V, 1% dim, 120V/277VAC



Certifications



Fixture Summary

Performance Data

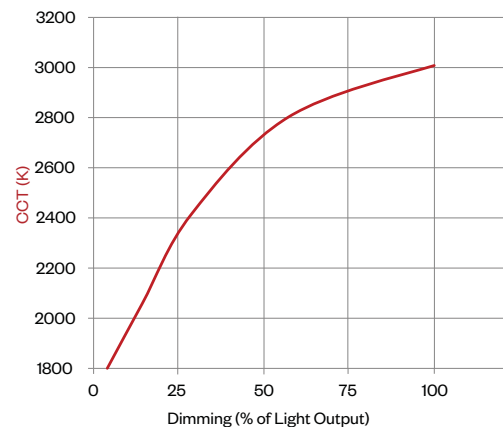
Watts	Delivered Lumens	LPW	CBCP	Color Temp-CRI
Rook 350 RD				
13	672	51.7	3179	3000K-95
Rook 350 RLD				
13	822	63.2	1460	3000K-95
Rook 350 RLW				
13	841	64.7	-	3000K-95

Electrical Data

13W		
Voltage	System Watts	Amps
120V	13	0.11
277V	13	0.05

Electronic constant current LED driver

Dim-To-Warm CCT Curve



Rook® 350

3.5" Round Pendants, Dim-to-Warm



PROJECT:

TYPE:

Ordering Information



1	Model	2	Wattage	3	Housing Finish
	RK350RD-DTW		13		MW matte white
	RK350RD-DTW-REMOTE (remote driver)				MB matte black
	RK350RLD-DTW (lensed)				SLV matte silver
	RK350RLD-DTW-REMOTE (lensed, remote driver)				
	RK350RLW-DTW (lensed wall wash)				
	RK350RLW-DTW-REMOTE (lensed wall wash, remote driver)				

4	Mounting (matches housing finish)
	<p>Canopy/Cord</p> <p>CC4 canopy/cord, 4' nominal OAL, 120V-277V</p> <p>CC8 canopy/cord, 8' nominal OAL, 120V-277V</p> <p>CC12 canopy/cord, 12' nominal OAL, 120V-277V</p> <p>CDCC4 conduit canopy, 4' nominal OAL, 120V-277V</p> <p>CDCC8 conduit canopy, 8' nominal OAL, 120V-277V</p> <p>CDCC12 conduit canopy, 12' nominal OAL, 120V-277V</p> <p>Stem</p> <p>RS4 rigid stem, 4' nominal OAL, 120V-277V</p> <p>RS8 rigid stem, 8' nominal OAL, 120V-277V</p> <p>SS4^R swivel stem, 4' nominal OAL, 120V-277V</p> <p>SS8^R swivel stem, 8' nominal OAL, 120V-277V</p> <p>CDRS4 conduit rigid stem, 4' nominal OAL, 120V-277V</p> <p>CDRS8 conduit rigid stem, 4' nominal OAL, 120V-277V</p> <p>^R Not available for use with remote driver. Consult factory for conduit mounting pricing. Cord and Stem mounts are field cuttable. For custom lengths, consult factory.</p>
	<p>Surface</p> <p>SM^R surface mount, 120V-277V</p> <p>CDSM^R conduit surface mount, 120V-277V</p> <p>Track/Cord (for use with LE/TE driver only)</p> <p>TC8-TN1^R straight cord 8', Global GES 1cir/H-Style, 120V</p> <p>TC8-TEK^R straight cord 8', Global TEK 2cir/2neut, 120V</p> <p>TC8-TN3^R straight cord 8', Global XTS 3cir, 120V</p> <p>TC8-TN2^R straight cord 8', Global HTEK 2cir/2neut, 277V</p> <p>TC8-CT^R straight cord 8', J-Style, 120V</p> <p>TC8-LOL^R straight cord 8', L-Style 1cir, 120V</p>

5	Voltage	6	Trim Finish	7	Beam Spread (not applicable on RK350RLW)
	120*		MW matte white		RK350RD
	277*		MB matte black		RK350RLD
	120-277		SLV matte silver		VNF very narrow flood, 18°
	*For use with track/cord mounting options.				MFL medium flood, 24°
					FL flood, 28°
					WF wide flood, 45°
					30SOL 30° solite lens
					40SOL 40° solite lens
					65SOL 65° solite lens

8	Color Temp	9	Driver
	95 CRI		LE/TE TRIAC/ELV dimming, 5% dim
	309 3000K-95		0-10V 0-10V dimming, 1% dim

Rook® 350

3.5" Round Pendants, Dim-to-Warm



PROJECT:

TYPE:

Specifications

Application

Retail and commercial ambient/task lighting

Construction

Extruded aluminum pendant housing
Die-cast trim
Extruded aluminum heat sink

Optical

RK350RD Beam Spreads:

Very Narrow Flood, 18°; Medium Flood, 24°; Flood, 35°;
Wide Flood, 44°

RK350RLD Beam Spreads:

Solite Lens for maximum efficacy and a visually quieter aperture. 30°, 40° & 65° beam spread options. Visually best with SLV reflector finish.

RK350RLW: Engineered nano technology lens provides high transmission while concealing LED image.

LED

Color Temp Options: 3000K (*Dims to 1800K*)

CRI: 95 typ. (± 3 across dimming range)

R9 Values: 85

Binning: 3 MacAdam (*SDCM*)

Life: 50,000+ hrs, > 70% of initial lumens at 50,000 hrs

Electrical

Wattage: 13W

Electronic constant current LED driver, 120V-277V input

This product complies with IEEE C62.41 for surge endurance up to 2.5KV.

Amerlux® recommends using additional surge protection with this unit (supplied by others), surge and over voltage damage is not covered under warranty.

Drivers

LE/TE - Leading Edge (*Triac, Forward Phase*) or Trailing Edge (*ELV, Reverse Phase*) autosensing driver dims down to 5% on most dimming systems.

0-10V and Lutron also available

See pages 9-10 for more dimming information

Finish

Powder coat paint

Consult factory for custom finishes

Mounting

Canopy/cord, rigid stem, swivel stem (*not available for use with remote driver*) or surface mounting (*not available for use with remote driver*)

Conduit mounting also available (*see pg 4 for details*).

Overall length (OAL) is field adjustable and factory set at $\pm 2"$ of nominal value.

Straight cord track mounting also available.

Certifications

CSA tested to UL standards

Indoor use only

Damp location

Warranty

5 year limited warranty

Rook® 350

3.5" Round Pendants, **Dim-to-Warm**

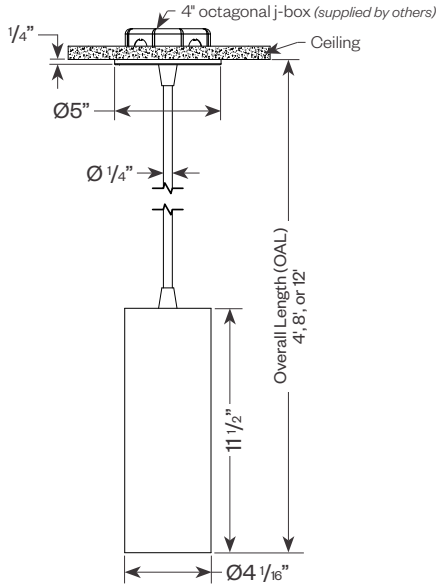


PROJECT:

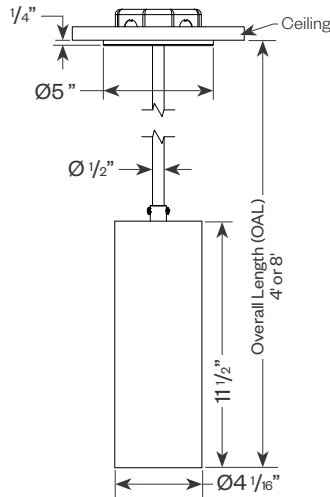
TYPE:

Product Details

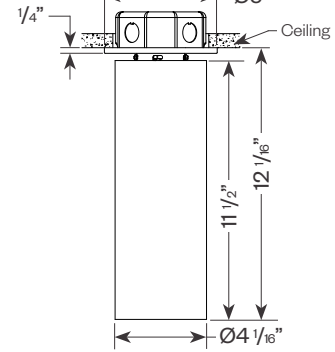
Canopy/Cord Mounting



Rigid Stem Mounting

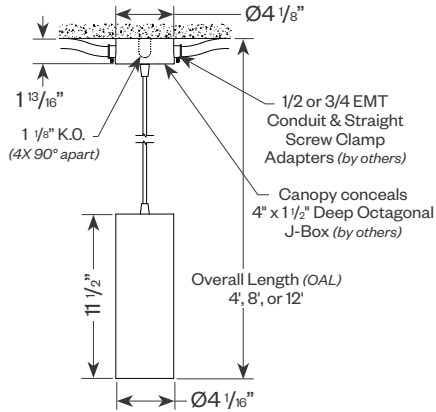


Surface Mounting

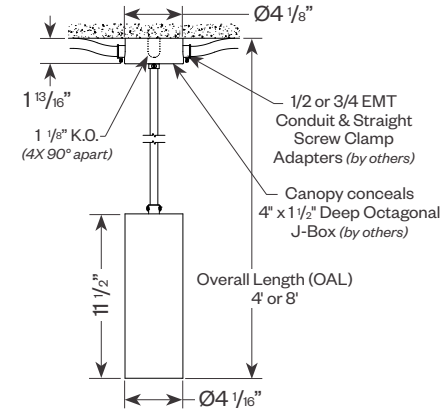


Ceiling Cut Out: Ø4 1/4"

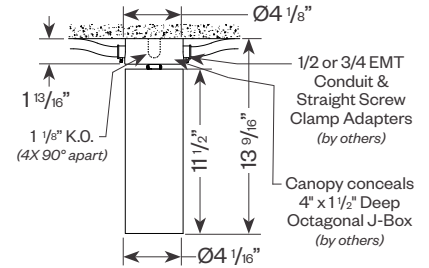
Conduit Canopy/Cord Mounting



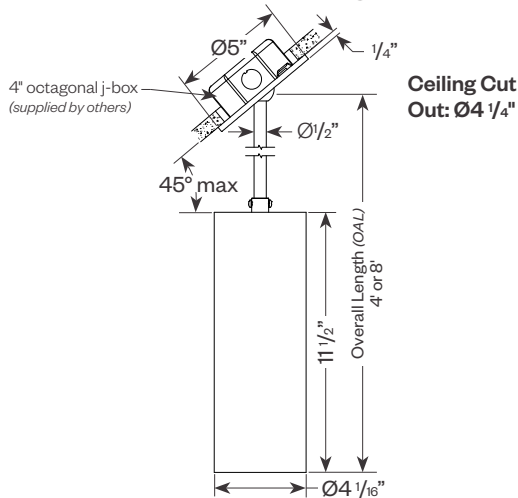
Conduit Rigid Stem Mounting



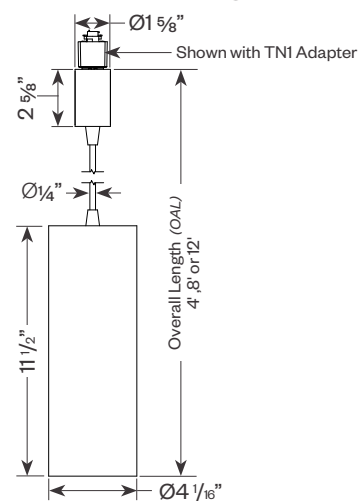
Conduit Surface Mounting



Swivel Stem Mounting



Straight Cord Track Mounting



Rook® 350

3.5" Round Pendants, **Dim-to-Warm**

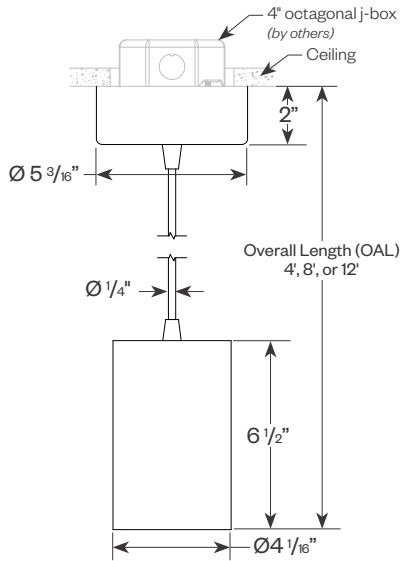


PROJECT:

TYPE:

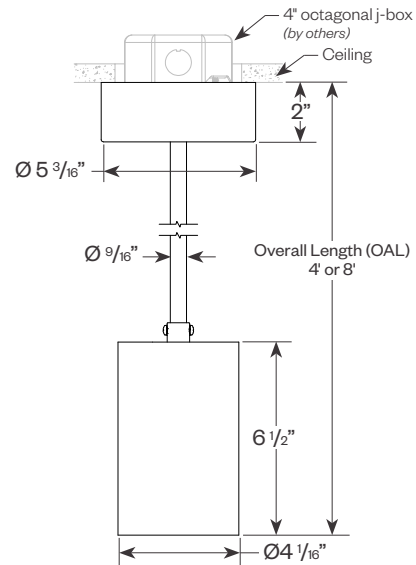
Product Details (continued)

Remote Driver Canopy/Cord Mounting

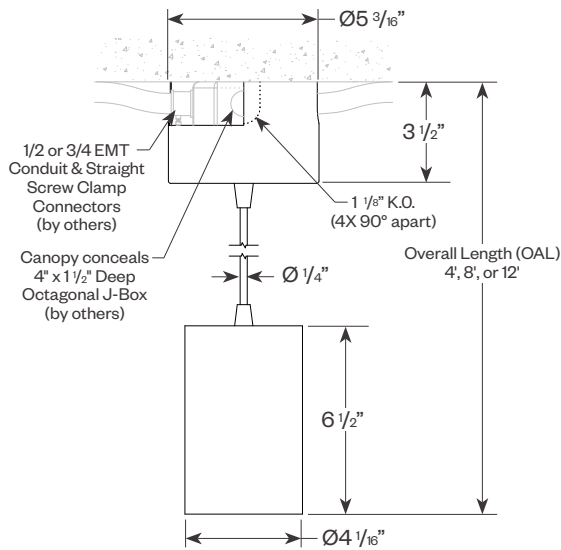


Ceiling Cut Out: Ø 4 1/4"

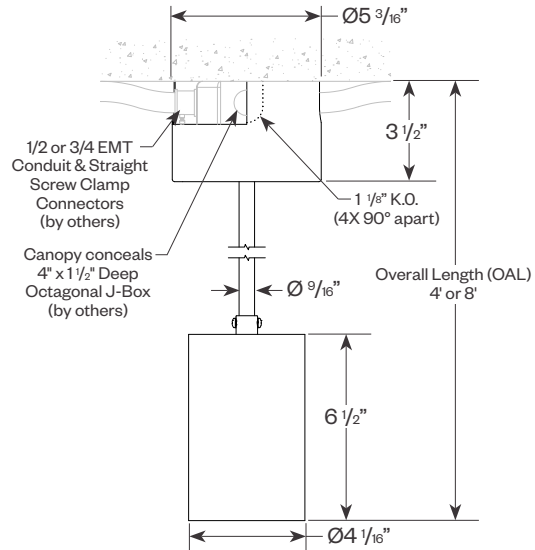
Remote Driver Rigid Stem Mounting



Remote Driver Conduit Canopy/Cord Mounting



Remote Driver Conduit Rigid Stem Mounting



Rook® 350

3.5" Round Pendants, Dim-to-Warm



PROJECT:

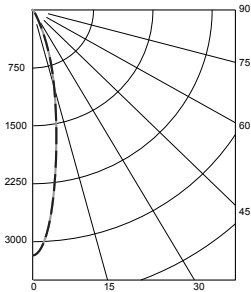
TYPE:

Performance Data - RK350RD-DTW/RK350RD-DTW-REMOTE

(Complete photometric data (.ies format) available on website)

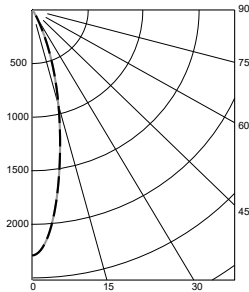
13W, 3000K-95

Very Narrow Flood (VNF)
Distribution, 18°
LTL #11919582.12
Lumens: 672



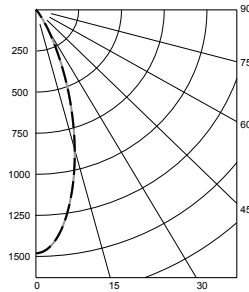
Candelas at Nadir	
Deg	Candela
0	3179
5	2638
15	1030
25	252
35	43
45	10

Medium Flood (MFL)
Distribution, 25°
LTL #11919582.13
Lumens: 609



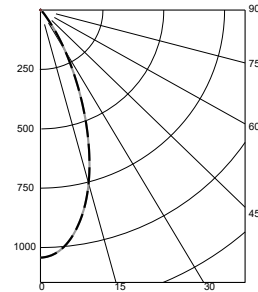
Candelas at Nadir	
Deg	Candela
0	2291
5	2024
15	942
25	267
35	50
45	11

Flood (FL)
Distribution, 35°
LTL #11919582.14
Lumens: 582



Candelas at Nadir	
Deg	Candela
0	1481
5	1395
15	882
25	331
35	63
45	13

Wide Flood (WF)
Distribution, 45°
LTL #11919582.15
Lumens: 540



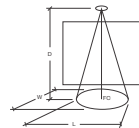
Candelas at Nadir	
Deg	Candela
0	1042
5	1007
15	751
25	359
35	85
45	15

Application Data - RK350RD-DTW/RK350RD-DTW-REMOTE



0° Aiming Angle
Horizontal
Footcandles

	D	FC	L	W
Very Narrow Flood	5.0'	122	1.8	1.8
	7.5'	55	2.9	2.9
	10.0'	31	3.7	3.7
	12.5'	20	4.6	4.6
Medium Flood	5.0'	88	2.3	2.3
	7.5'	40	3.3	3.3
	10.0'	23	4.4	4.4
	12.5'	15	5.5	5.5
Flood	5.0'	57	3.0	3.0
	7.5'	26	4.4	4.4
	10.0'	15	5.7	5.7
	12.5'	9	7.2	7.2
Wide Flood	5.0'	40	3.4	3.4
	7.5'	18	5.1	5.1
	10.0'	10	6.9	6.9
	12.5'	7	8.5	8.5



Notes and Definitions:

Beam spread is to 50% center beam candlepower (CBCP).

D=Distance to floor or wall.

FC=Footcandles on floor or wall at center beam aiming location.

L=Effective Visual Beam length in feet (50% of maximum footcandle level).

W=Effective Visual Beam width in feet (50% of maximum footcandle level).

Rook® 350

3.5" Round Pendants, Dim-to-Warm



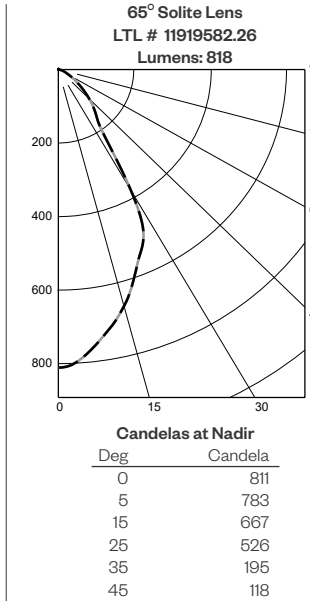
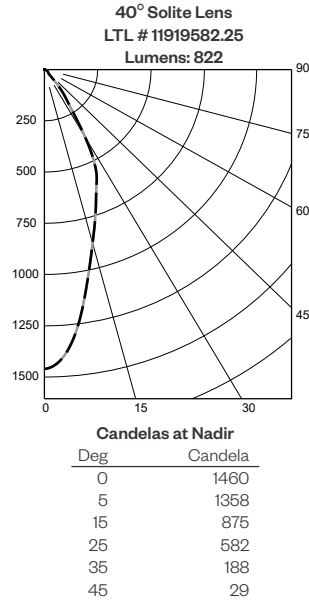
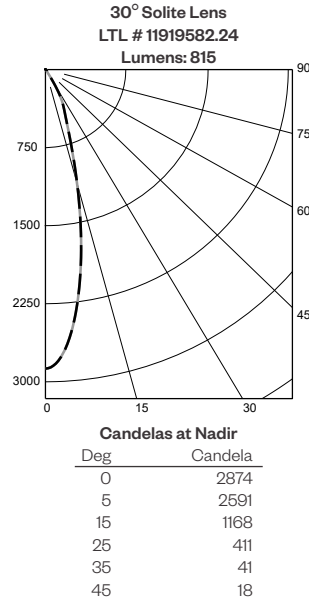
PROJECT:

TYPE:

Performance Data - RK350RLD-DTW/RK350RLD-DTW-REMOTE

(Complete photometric data (.ies format) available on website)

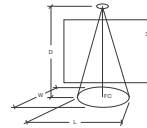
13W, 3000K-95



Application Data - RK350RLD-DTW/RK350RLD-DTW-REMOTE

**0° Aiming Angle
Horizontal
Footcandles**

Lens	D			
	D	FC	L	W
30° Solite Lens	5.0'	115	2.3	2.3
	7.5'	51	3.3	3.3
	10.0'	29	4.5	4.5
	12.5'	19	5.6	5.6
50° Solite Lens	5.0'	59	3.1	3.1
	7.5'	26	4.5	4.5
	10.0'	15	5.9	5.9
	12.5'	10	7.5	7.5
65° Solite Lens	5.0'	33	4.4	4.4
	7.5'	15	6.7	6.7
	10.0'	8	9.1	9.1
	12.5'	5	11.7	11.7



Notes and Definitions:
 Beam spread is to 50% center beam candlepower (CBCP).
D=Distance to floor or wall.
FC=Footcandles on floor or wall at center beam aiming location.
L=Effective Visual Beam length in feet (50% of maximum footcandle level).
W=Effective Visual Beam width in feet (50% of maximum footcandle level).

Rook® 350

3.5" Round Pendants, Dim-to-Warm



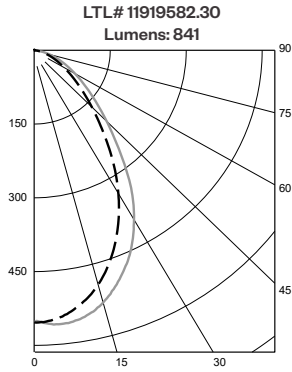
PROJECT:

TYPE:

Performance Data - RK350RLW-DTW/RK350RLW-DTW-REMOTE

(Complete photometric data (.ies format) available on website)

13W, 3000K-95



ZONAL LUMEN SUMMARY

Zone	Lumens	%Fixt
0-40	544	64.7
0-60	761	90.5
0-90	841	100.0
90-180	0	0.0

Luminaire Efficacy: 64.7 lm/W

Application Data - RK350RLW-DTW/RK350RLW-DTW-REMOTE (footcandles on wall)

Footcandles are average and rounded off. Data for multiple units are based on a minimum of five units.

1.5 Feet from Wall

Distance from ceiling	0.5'	1.5'	2.5'	3.5'	4.5'	5.5'	6.5'	7.5'
0.5'	25	26	26	26	25			
1.5'	49	51	52	51	49			
2.5'	46	49	50	49	46			
3.5'	32	35	37	35	32			
4.5'	21	24	24	24	22			
5.5'	15	17	17	17	15			
6.5'	11	12	12	12	11			
7.5'	9	9	10	9	9			

1.5 Feet from Wall

Distance from ceiling	0.5'	1.5'	2.5'	3.5'	4.5'	5.5'	6.5'	7.5'
0.5'	19	21	19	21	19	21	19	
1.5'	37	40	39	41	38	40	37	
2.5'	36	38	38	39	38	38	36	
3.5'	25	27	28	28	28	27	26	
4.5'	17	19	20	20	20	19	18	
5.5'	12	14	14	14	14	14	13	
6.5'	9	10	11	11	11	10	10	
7.5'	7	8	8	9	9	8	8	

2 Feet from Wall

Distance from ceiling	0.5'	1.5'	2.5'	3.5'	4.5'	5.5'	6.5'	7.5'
0.5'	11	12	12	12	12	12	11	
1.5'	25	26	26	27	27	27	25	
2.5'	29	31	31	32	31	31	29	
3.5'	25	26	27	28	27	27	25	
4.5'	19	21	21	22	21	21	19	
5.5'	14	15	16	16	16	16	14	
6.5'	11	12	13	13	13	12	11	
7.5'	9	9	10	10	10	10	9	

Rook® 350

3.5" Round Pendants, **Dim-to-Warm**



PROJECT:

TYPE:

Dimming Compatibility

Amerlux® Rook® fixtures are compatible with all major dimming protocols prevalent in the United States. Please see below for general compatibilities and wiring diagrams. Amerlux recommends testing your unique dimming configuration as the exact full configuration (*Dimmer, Fixture Quantity, Voltage, etc*) may affect dimming performance.

--- NOTE: INFORMATION BELOW IS FOR WIRED DIMMERS ONLY. FOR WIRELESS DIMMERS, CONSULT FACTORY ---

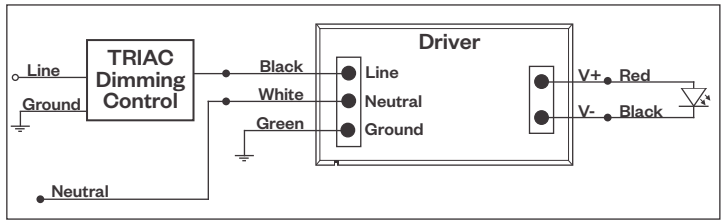
TRIAC (Forward Phase) Dimming

Utilizes standard TRIAC dimmers that are in wide use in installations across the US. Best for retrofit applications where TRIAC dimmers are installed.

Notes:

- 120VAC or 277VAC*
- Dims down to 5% light output (*most cases*)
- Consult Dimming manufacturer for installation instructions - **DO NOT SHARE NEUTRALS!**
- Must meet dimmer Minimum Load Requirements per dimming manufacturer

TRIAC Wiring Diagram



Compatible Dimmers†:	
Wall Box (TRIAC 120VAC)	Central System
Lutron "Diva"	Lutron "GP" Panel
Lutron "Nova-T"	Lutron Grafik Eye QS
Lutron "Maestro"	
Lutron "Skylark"	

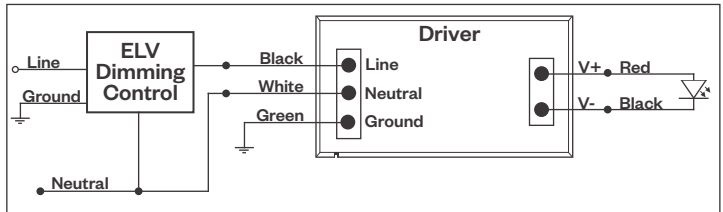
ELV - Electronic Low Voltage (Reverse Phase) Dimming

Utilizes specialized "ELV" dimmers.

Notes:

- 120VAC or 277VAC*
- Dims down to 5% light output (*most cases*)
- Consult Dimming manufacturer for installation instructions - **DO NOT SHARE NEUTRALS!**
- Must meet dimmer Minimum Load Requirements per dimming manufacturer

ELV Wiring Diagram



Compatible Dimmers†:		
Wall Box (ELV 120VAC)	Wall Box (ELV 277VAC)	Central System
Lutron "Diva"	Leviton Revoir II AWSMT-E	Lutron "GP" Panel with PHPM-PA 120/277VAC
Lutron "Nova-T"		Lutron Grafik Eye QS with PHPM-PA 120/277VAC
Lutron "Maestro"		
Lutron "Skylark"		
Leviton "Surslide"		
Leviton "Vizio"		

Notes:

* Driver is 277VAC dimmable with appropriate dimmer (*by others*). All provided wiring diagrams show 120VAC wiring colors and method. Please refer to 277VAC dimmer installation instructions for 277VAC wiring diagrams.

† The absence of a dimmer from the lists above does not imply incompatibility. Please consult factory for compatibility inquiries.

Rook® 350

3.5" Round Pendants, **Dim-to-Warm**



PROJECT:

TYPE:

Dimming Compatibility *(continued)*

Amerlux® Rook® fixtures are compatible with all major dimming protocols prevalent in the United States. Please see below for general compatibilities and wiring diagrams. Amerlux recommends testing your unique dimming configuration as the exact full configuration (*Dimmer, Fixture Quantity, Voltage, etc*) may affect dimming performance.

--- NOTE: INFORMATION BELOW IS FOR WIRED DIMMERS ONLY. FOR WIRELESS DIMMERS, CONSULT FACTORY ---

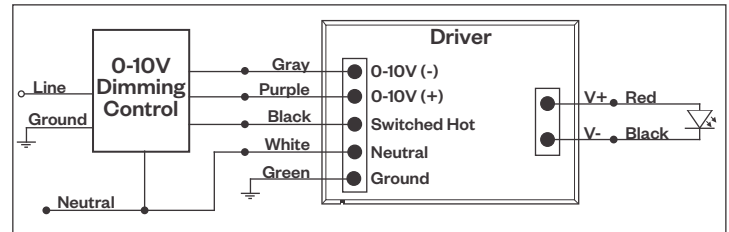
0-10V DIMMING

Integrates into a variety of building management and daylighting controls

Notes:

- 120VAC or 277VAC*
- Dims down to 1% light output
- Requires interface to turn off power to driver
- Consult Dimming manufacturer for installation instructions - **DO NOT SHARE NEUTRALS!**

0-10V Wiring Diagram



Compatible Dimmers†:

Wall Box		Central System
Lutron "Diva" - DVSTV	Leviton Renoir II 0-10V	Lutron Grafik Eye with GRX-TVI Interface

Notes:

* Driver is 277VAC dimmable with appropriate dimmer (*by others*). All provided wiring diagrams show 120VAC wiring colors and method. Please refer to 277VAC dimmer installation instructions for 277VAC wiring diagrams.

† The absence of a dimmer from the lists above does not imply incompatibility. Please consult factory for compatibility inquiries.