



INSTRUCTION SHEET

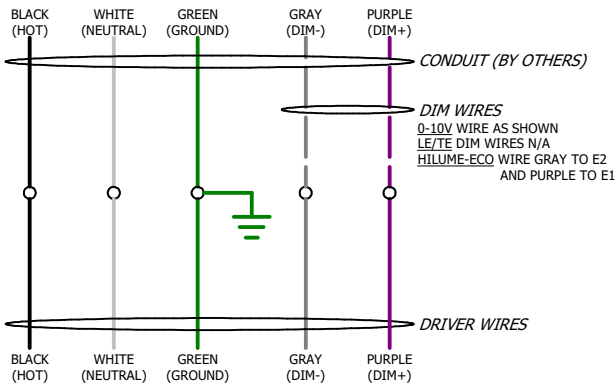
RK350 ROUND/SQUARE REMOTE CANOPY/CORD MOUNT (2" DEEP CANOPY)

689-0771

PAGE 1 OF 1

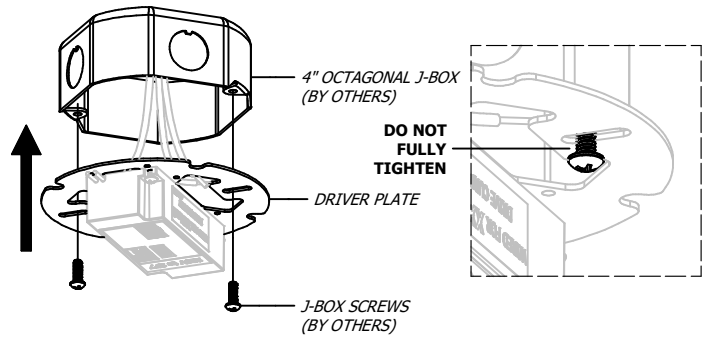
WARNING - RISK OF FIRE AND ELECTRICAL SHOCK. FIXTURE MUST BE INSTALLED BY A QUALIFIED ELECTRICIAN ONLY. FIXTURE IS INTENDED FOR INSTALLATION IN ACCORDANCE WITH THE NATIONAL ELECTRICAL CODE, LOCAL AND FEDERAL SPECIFICATIONS. DISCONNECT POWER AT ELECTRICAL PANEL BEFORE SERVICING. RETAIN THESE INSTRUCTIONS FOR MAINTENANCE REFERENCE.

1 WIRE DRIVER



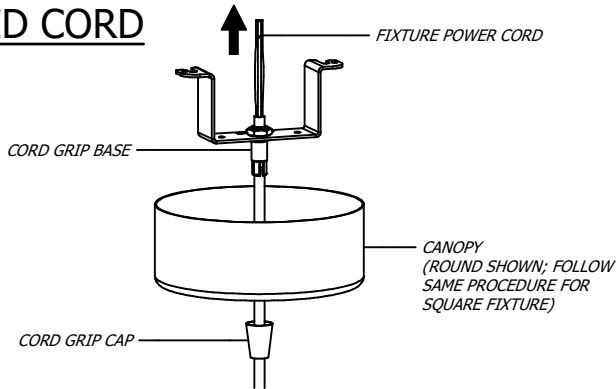
WIRE ACCORDING TO LOCAL AND NATIONAL CODE

2 MOUNT DRIVER PLATE



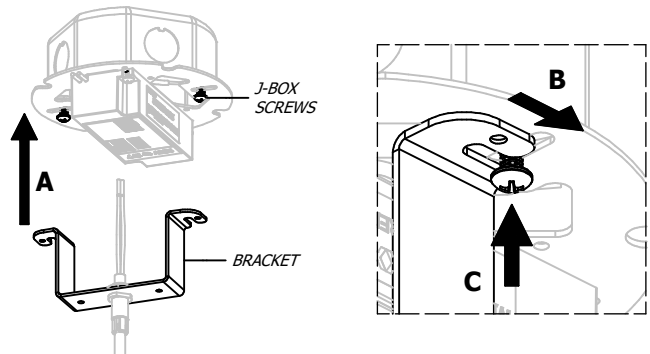
MOUNT DRIVER PLATE TO J-BOX WITH SCREWS (BY OTHERS). DO NOT FULLY TIGHTEN SCREWS

3 FEED CORD



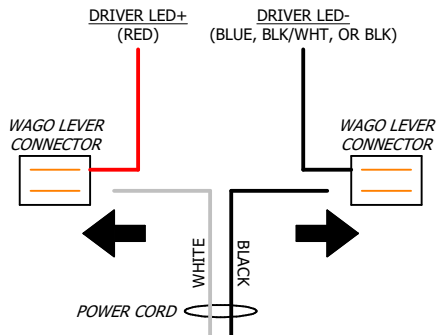
FEED FIXTURE POWER CORD THROUGH CORD GRIP CAP, THEN CANOPY, THEN CORD GRIP BASE, ADJUSTING FIXTURE OVERALL LENGTH (OAL)

4 MOUNT BRACKET



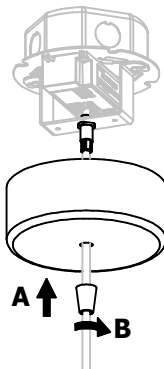
ATTACH BRACKET TO J-BOX SCREWS, THEN TIGHTEN SCREWS

5 WIRE LED



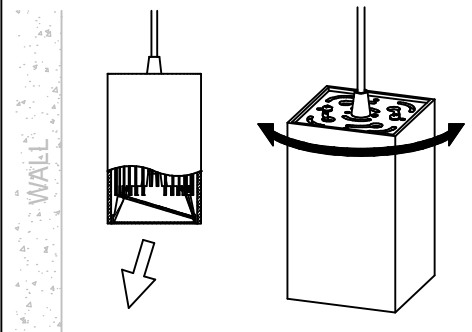
WIRE DRIVER LED +/- WIRES TO POWER CORD WIRES WITH WAGOS

6 ATTACH CANOPY



RAISE CORD GRIP CAP AND THREAD ONTO CORD GRIP BASE

7 ALIGN HOUSING*



IF FIXTURE HAS WALL WASH TRIM AND/OR SQUARE HOUSING, ALIGN HOUSING BY HOLDING CORD THEN ROTATING HOUSING

Amerlux, 178 Bauer Drive, Oakland, N.J. 07436, T: 973-882-5010, F: 973-882-2604 www.amerlux.com