

Rook® 350

3.5" Square Pendants

Dim-To-Warm



Pendant



Pendant w/Remote Driver

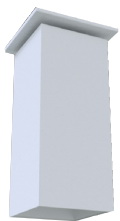
Features

Add ambiance to any hospitality, residential, retail or commercial space. Amerlux Rook Pendant Dim-To-Warm option offers a lower kelvin temperature as you dim the lights. An adaptable light source in a cost-effective, solid state lighting package. The Dim-To-Warm option can tap into the powerful mediums of light and color to enhance the experience, well-being, and human emotion. Amerlux Dim-To-Warm allows designers to simulate the familiar glow and dimming of incandescent lamps.

Product Overview

Type:	Round Pendant
Wattage:	13W
Lumen Output:	672 lm (SD); 841 (SLD)
CBCP:	up to 3179 (SD); 2380 (SLD)
Color Temp:	3000K to 1800K
CRI:	95 typ.
Dimming:	TRIAC & ELV (120/277VAC) - 5% Dim 0-10V (120/277VAC) - 1% Dim

PROJECT:



Surface Mount



Conduit Surface Mount

TYPE:

Performance Chart

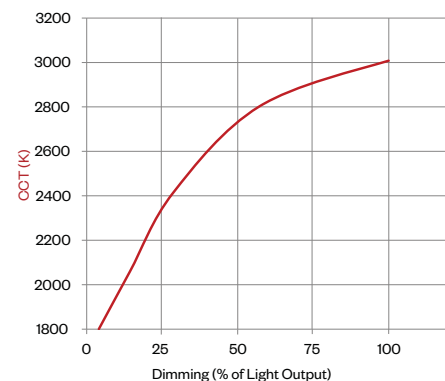
Watts	Delivered Lumens	LPW	CBCP	Color Temp
Rook 350 SD				
13	672	51.7	3179	3000K-95
Rook 350 SLD				
13	841	64.7	2380	3000K-95

Electrical Data

13W		
	System Watts	Amps
120V	13	0.11
277V	13	0.05

Electronic constant current LED driver

Dim-To-Warm CCT Curve



Rook® 350

3.5" Square Pendants Dim-To-Warm



PROJECT:

TYPE:

Ordering Information



- 1** Model
RK350SD-DTW
RK350SD-DTW-REMOTE (Remote Driver)
RK350SLD-DTW (Lensed)
RK350SLD-DTW-REMOTE (Lensed, Remote Driver)

- 2** Wattage
13

- 3** Housing Finish
MW - matte white
MB - matte black
SLV - matte silver

- 4** Mounting (matches housing finish)
Canopy/Cord
CC4 - canopy/cord, 4' nominal OAL, 120V-277V
CC8 - canopy/cord, 8' nominal OAL, 120V-277V
CC12 - canopy/cord, 12' nominal OAL, 120V-277V
CDCC4 - conduit canopy/cord, 4' nominal OAL, 120V-277V
CDCC8 - conduit canopy/cord, 8' nominal OAL, 120V-277V
CDCC12 - conduit canopy/cord, 12' nominal OAL, 120V-277V

Stem

- RS4** - rigid stem, 4' nominal OAL, 120V-277V
RS8 - rigid stem, 8' nominal OAL, 120V-277V
SS4^R - swivel stem, 4' nominal OAL, 120V-277V
SS8^R - swivel stem, 8' nominal OAL, 120V-277V
CDRS4 - conduit rigid stem, 4' nominal OAL, 120V-277V
CDRS8 - conduit rigid stem, 8' nominal OAL, 120V-277V

Surface

- SM^R** - surface mount, 120V-277V
CDSM^R - conduit surface mount, 120V-277V

Track/Cord (for use with LE/TE driver only)

- TC8-TN1^R** - straight cord 8', Global GES 1cir/H-style, 120V
TC8-TEK^R - straight cord 8', Global TEK 2cir/2neut, 120V
TC8-TN3^R - straight cord 8', Global XTS 3cir, 120V
TC8-TN2^R - straight cord 8', Global HTEK 2cir/2neut, 277V
TC8-CT^R - straight cord 8', J-style, 120V
TC8-LOL^R - straight cord 8', L-style 1cir, 120V

^R Not available for use with remote driver

Consult factory for conduit mounting pricing

Cord and Stem mounts are field cuttable

For custom lengths, consult factory

- 5** Voltage
120*
277*
120-277
*** For use with track/cord mounting options**

- 6** Trim Finish
MW - matte white
MB - matte black
SLV - matte silver

- 7** Beam Spreads
RK350SD
VNF - very narrow flood, 18°
MFL - medium flood, 24°
FL - flood, 35°
WF - wide flood, 44°
- RK350SLD**
30SOL - 30° solite lens
50SOL - 50° solite lens
65SOL - 65° solite lens

- 8** Color Temp
95 CRI
309 - 3000K-95

- 9** Driver
LE/TE - TRIAC/ELV dimming, 5% dim
0-10V - 0-10V dimming, 1% dim

Rook® 350

3.5" Square Pendants Dim-To-Warm



PROJECT:

TYPE:

Specifications

Application

Retail and commercial ambient/task lighting

Construction

Extruded aluminum pendant housing
Die-cast trim
Extruded aluminum heat sink

Optical

RK350SD Beam Spreads:

Very Narrow Flood, 18°; Medium Flood, 24°; Flood, 35°;
Wide Flood, 44°

RK350SLD Beam Spreads:

Solite Lens for maximum efficacy and a visually quieter aperture. 30°, 40° & 65° beam spread options. Visually best with SLV reflector finish.

LED

Color Temp Options: 3000K (Dims to 1800K)
CRI: 95 typ. (± 3 across dimming range)
R9 Values: 85
Binning: 3 MacAdam (SDCM)
Life: 50,000+ hrs, > 70% of initial lumens at 50,000 hrs

Electrical

Wattage: 13W
Electronic constant current LED driver, 120-277VAC input
This product complies with IEEE C62.41 for surge endurance up to 2.5KV. Amerlux® recommends using additional surge protection with this unit (supplied by others), surge and over voltage damage is not covered under warranty.

Drivers

LE/TE - Leading Edge, TRIAC, forward phase/Trailing Edge, ELV, reverse phase
0-10V also available
See pages 9-10 for more dimming information

Finish

Powder coat paint
Consult factory for custom finishes

Mounting

Canopy/cord, rigid stem, swivel stem (not available for use with remote driver) or surface mounting (not available for use with remote driver)
Conduit mounting also available (see pg4 for details).
Overall length (OAL) is field adjustable and factory set at ± 2 " of nominal value.

Certifications

CSA tested to UL standards
Indoor use only
Damp location
Straight cord track mounting also available.

Warranty

5 year limited warranty

Rook® 350

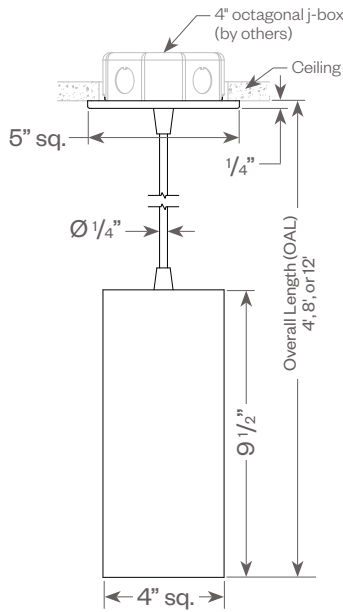
3.5" Square Pendants Dim-To-Warm



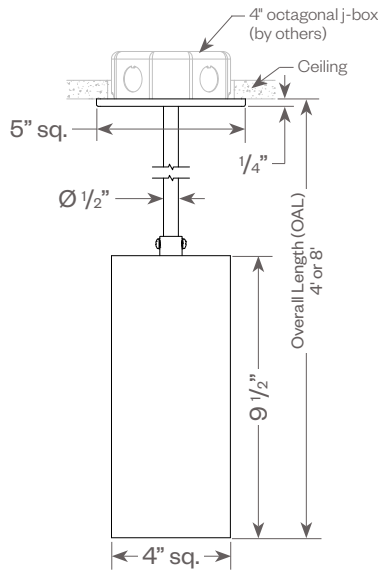
PROJECT:

TYPE:

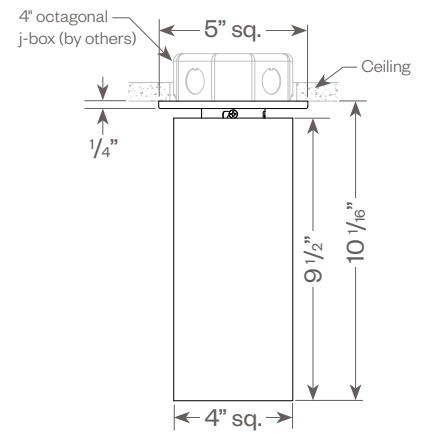
Canopy/Cord Mounting



Rigid Stem Mounting

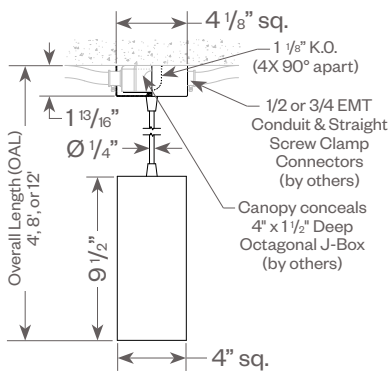


Surface Mounting

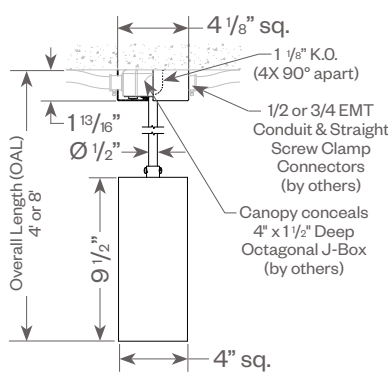


Ceiling Cut Out: $\text{Ø}4 \frac{1}{4}$ "

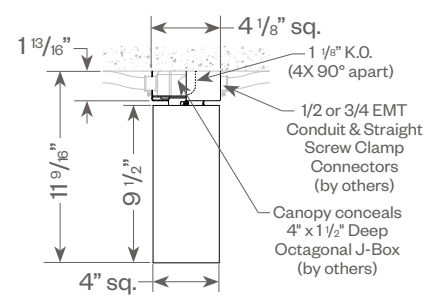
Conduit Canopy/Cord Mounting



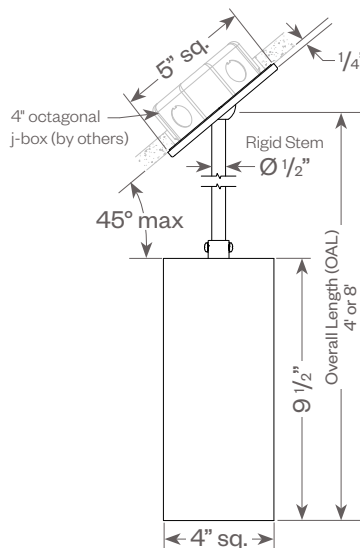
Conduit Rigid Stem Mounting



Conduit Surface Mounting

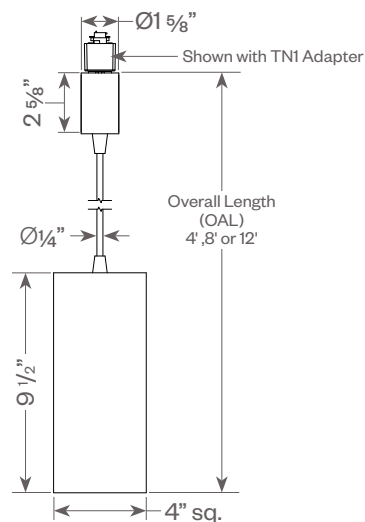


Swivel Stem Mounting



Ceiling Cut Out: $\text{Ø}4 \frac{1}{4}$ "

Straight Cord Track Mounting



Rook® 350

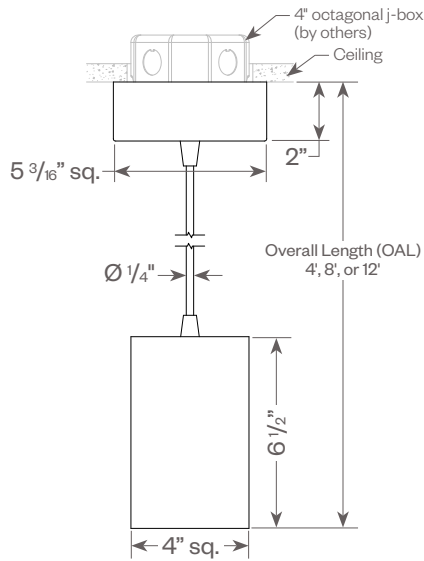
3.5" Square Pendants Dim-To-Warm



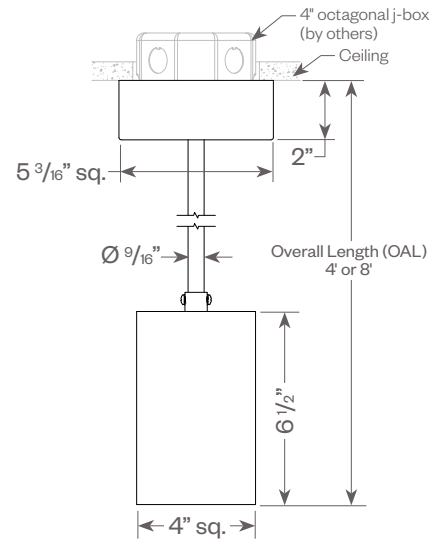
PROJECT:

TYPE:

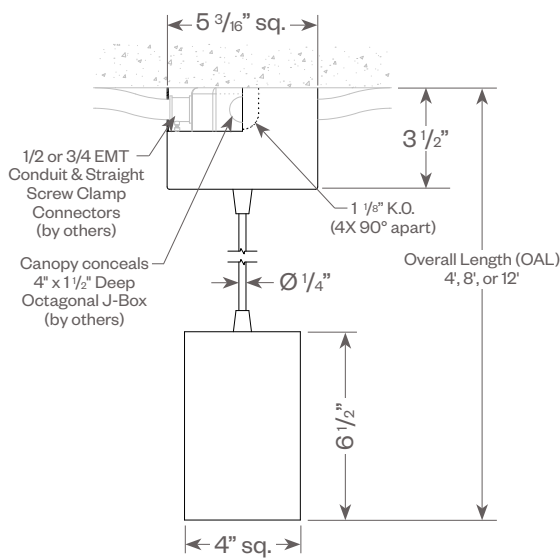
Remote Driver Canopy/Cord Mounting



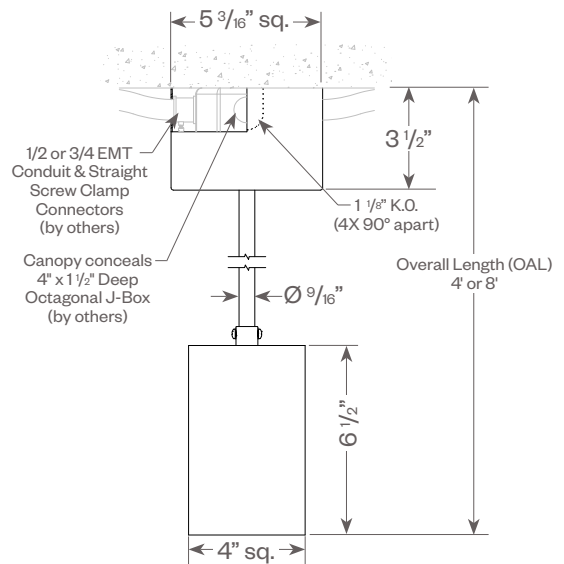
Remote Driver Rigid Stem Mounting



Remote Driver Conduit Canopy/Cord Mounting



Remote Driver Conduit Rigid Stem Mounting



Rook® 350

3.5" Square Pendants Dim-To-Warm



PROJECT:

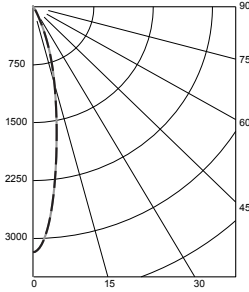
TYPE:

RK350SD/RK350SD-REMOTE

FIXTURE DATA: (Complete photometric data (.ies format) available upon request)

13W LED, 3000K-95

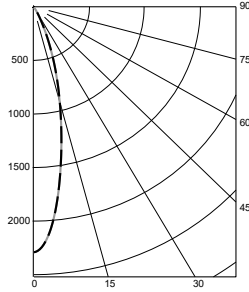
Very Narrow Flood (VNF)
Distribution, 18°
LTL #11919582.12
Lumens: 672



Candelas at Nadir

Deg	Candela
0	3179
5	2638
15	1030
25	252
35	43
45	10

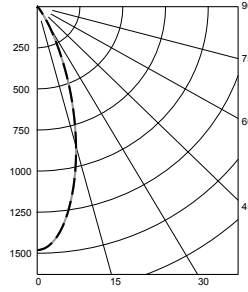
Medium Flood (MFL)
Distribution, 25°
LTL #11919582.13
Lumens: 609



Candelas at Nadir

Deg	Candela
0	2291
5	2024
15	942
25	267
35	50
45	11

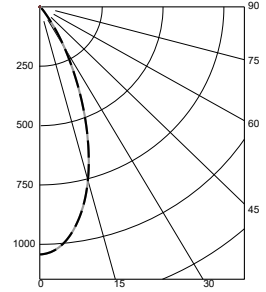
Flood (FL)
Distribution, 35°
LTL # 11919582.14
Lumens: 582



Candelas at Nadir

Deg	Candela
0	1481
5	1395
15	882
25	331
35	63
45	13

Wide Flood (WF)
Distribution, 45°
LTL # 11919582.15
Lumens: 540



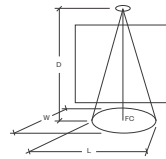
Candelas at Nadir

Deg	Candela
0	1042
5	1007
15	751
25	359
35	85
45	15

Application Data:

0° Aiming Angle Horizontal Footcandles

	D	FC	L	W
Very Narrow Flood	5.0'	122	1.8	1.8
	7.5'	55	2.9	2.9
	10.0'	31	3.7	3.7
	12.5'	20	4.6	4.6
Medium Flood	5.0'	88	2.3	2.3
	7.5'	40	3.3	3.3
	10.0'	23	4.4	4.4
	12.5'	15	5.5	5.5
Flood	5.0'	57	3.0	3.0
	7.5'	26	4.4	4.4
	10.0'	15	5.7	5.7
	12.5'	9	7.2	7.2
Wide Flood	5.0'	40	3.4	3.4
	7.5'	18	5.1	5.1
	10.0'	10	6.9	6.9
	12.5'	7	8.5	8.5



Notes and Definitions:

- Beam spread is to 50% center beam candlepower (CBCP).
- D**=Distance to floor or wall.
- FC**=Footcandles on floor or wall at center beam aiming location.
- L**=Effective Visual Beam length in feet (50% of maximum footcandle level).
- W**=Effective Visual Beam width in feet (50% of maximum footcandle level).
- CB**=Distance across or down to center beam location.

Rook® 350

3.5" Square Pendants Dim-To-Warm



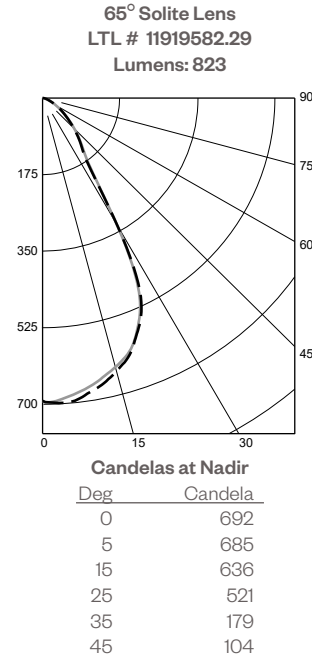
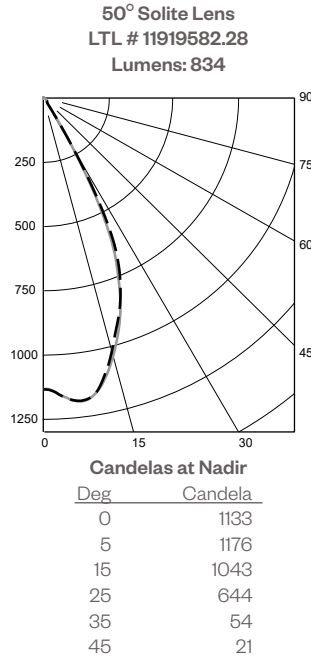
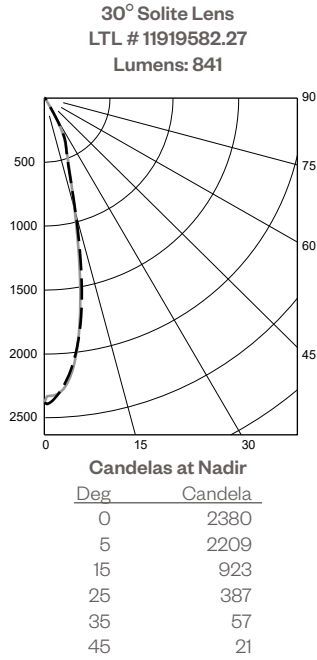
PROJECT:

TYPE:

RK350SLD/RK350SLD-REMOTE

FIXTURE DATA: (Complete photometric data (.ies format) available upon request)

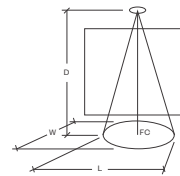
13W LED, 3000K-95



Application Data:

Notes and Definitions:

- Beam spread is to 50% center beam candlepower (CBCP).
- D**=Distance to floor or wall.
- FC**=Footcandles on floor or wall at center beam aiming location.
- L**=Effective Visual Beam length in feet (50% of maximum footcandle level).
- W**=Effective Visual Beam width in feet (50% of maximum footcandle level).
- CB**=Distance across or down to center beam location.



		0° Aiming Angle Horizontal Footcandles			
		D	FC	L	W
30° Solite Lens	5.0'	96	2.3	2.4	
	7.5'	43	3.3	3.4	
	10.0'	24	4.4	4.6	
	12.5'	15	5.5	5.6	
50° Solite Lens	5.0'	46	4.3	4.3	
	7.5'	21	6.4	6.4	
	10.0'	12	8.4	8.4	
	12.5'	8	10.5	10.6	
65° Solite Lens	5.0'	28	4.8	4.8	
	7.5'	13	7.4	7.4	
	10.0'	7	10.1	10.1	
	12.5'	5	12.7	12.7	

Rook® 350

3.5" Square Pendants Dim-To-Warm



PROJECT:

TYPE:

DIMMING COMPATIBILITY:

Amerlux® Rook fixtures are compatible with all major dimming protocols prevalent in the United States. Please see below for general compatibilities and wiring diagrams. Amerlux recommends testing your unique dimming configuration as the exact full configuration (Dimmer, Fixture Quantity, Voltage, etc) may affect dimming performance.

--- NOTE: INFORMATION BELOW IS FOR WIRED DIMMERS ONLY. FOR WIRELESS DIMMERS, CONSULT FACTORY ---

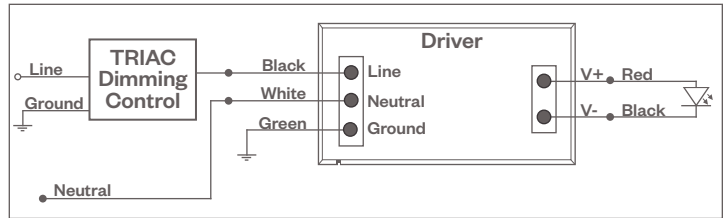
TRIAC (Forward Phase) DIMMING (Standard)

Utilizes standard TRIAC dimmers that are in wide use in installations across the US. Best for retrofit applications where TRIAC dimmers are installed.

Notes:

- 16W-19W - 120/277VAC; 23W-31W - 120VAC only*
- Dims down to 5% light output (most cases)
- Consult Dimming manufacturer for installation instructions - DO NOT SHARE NEUTRALS!
- Must meet dimmer Minimum Load Requirements per dimming manufacturer

TRIAC Wiring Diagram



Compatible Dimmers†:

Wall Box (TRIAC 120VAC)	Central System
Lutron "Diva"	Lutron "GP" Panel
Lutron "Nova-T"	Lutron Grafik Eye QS
Lutron "Maestro"	
Lutron "Vareo"	
Lutron "Skylark"	

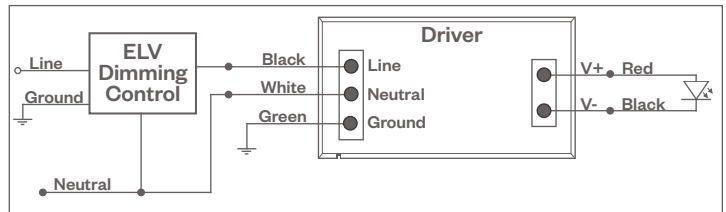
ELV - Electronic Low Voltage (Reverse Phase) DIMMING (Standard)

Utilizes specialized "ELV" dimmers.

Notes:

- 16W-19W - 120/277VAC; 23W-31W - 120VAC only*
- Dims down to 5% light output (most cases)
- Consult Dimming manufacturer for installation instructions - DO NOT SHARE NEUTRALS!
- Must meet dimmer Minimum Load Requirements

ELV Wiring Diagram



Compatible Dimmers†:

Wall Box (ELV 120VAC)	Wall Box (ELV 277VAC)	Central System
Lutron "Diva"	Leviton Revoir II AWSMT-E	Lutron "GP" Panel with PHPM-PA 120/277VAC
Lutron "Nova-T"		Lutron Grafik Eye QS with PHPM-PA 120/277VAC
Lutron "Maestro"		
Lutron "Vareo"		
Lutron "Skylark"		
Leviton "Surslide"		
Leviton "Vizio"		

Notes:

- * Driver is 277VAC dimmable with appropriate dimmer (by others). All provided wiring diagrams show 120VAC wiring colors and method. Please refer to 277VAC dimmer manufacturer installation instructions for 277VAC wiring diagrams.
- † The absence of a dimmer from the lists above does not imply incompatibility. Please consult factory for compatibility inquiries.

Rook® 350

3.5" Square Pendants Dim-To-Warm



PROJECT:

TYPE:

DIMMING COMPATIBILITY:

Amerlux® Rook fixtures are compatible with all major dimming protocols prevalent in the United States. Please see below for general compatibilities and wiring diagrams. Amerlux recommends testing your unique dimming configuration as the exact full configuration (Dimmer, Fixture Quantity, Voltage, etc) may affect dimming performance.

--- NOTE: INFORMATION BELOW IS FOR WIRED DIMMERS ONLY. FOR WIRELESS DIMMERS, CONSULT FACTORY ---

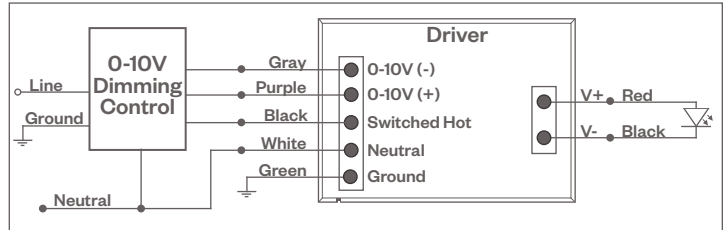
0-10V - DIMMING (-0-10V Option)

Integrates into a variety of building management and daylighting controls

Notes:

- 120V or 277V*
- Dims down to 1% light output
- Requires interface to turn off power to driver
- Consult Dimming manufacturer for installation instructions - DO NOT SHARE NEUTRALS!

0-10V Wiring Diagram



Compatible Dimmers†:

Wall Box

Lutron "Diva" - DTVV with PP-120H Interface

Leviton Renoir II 0-10V

Central System

Lutron Grafik Eye with GRX-TVI Interface

Notes:

- * Driver is 277VAC dimmable with appropriate dimmer (by others). All provided wiring diagrams show 120VAC wiring colors and method. Please refer to 277VAC dimmer manufacturer installation instructions for 277VAC wiring diagrams.
- † The absence of a dimmer from the lists above does not imply incompatibility. Please consult factory for compatibility inquiries.