

**INSTRUCTION SHEET**



**ROOK FLUSH WALL MOUNT (ADA COMPLIANT)**

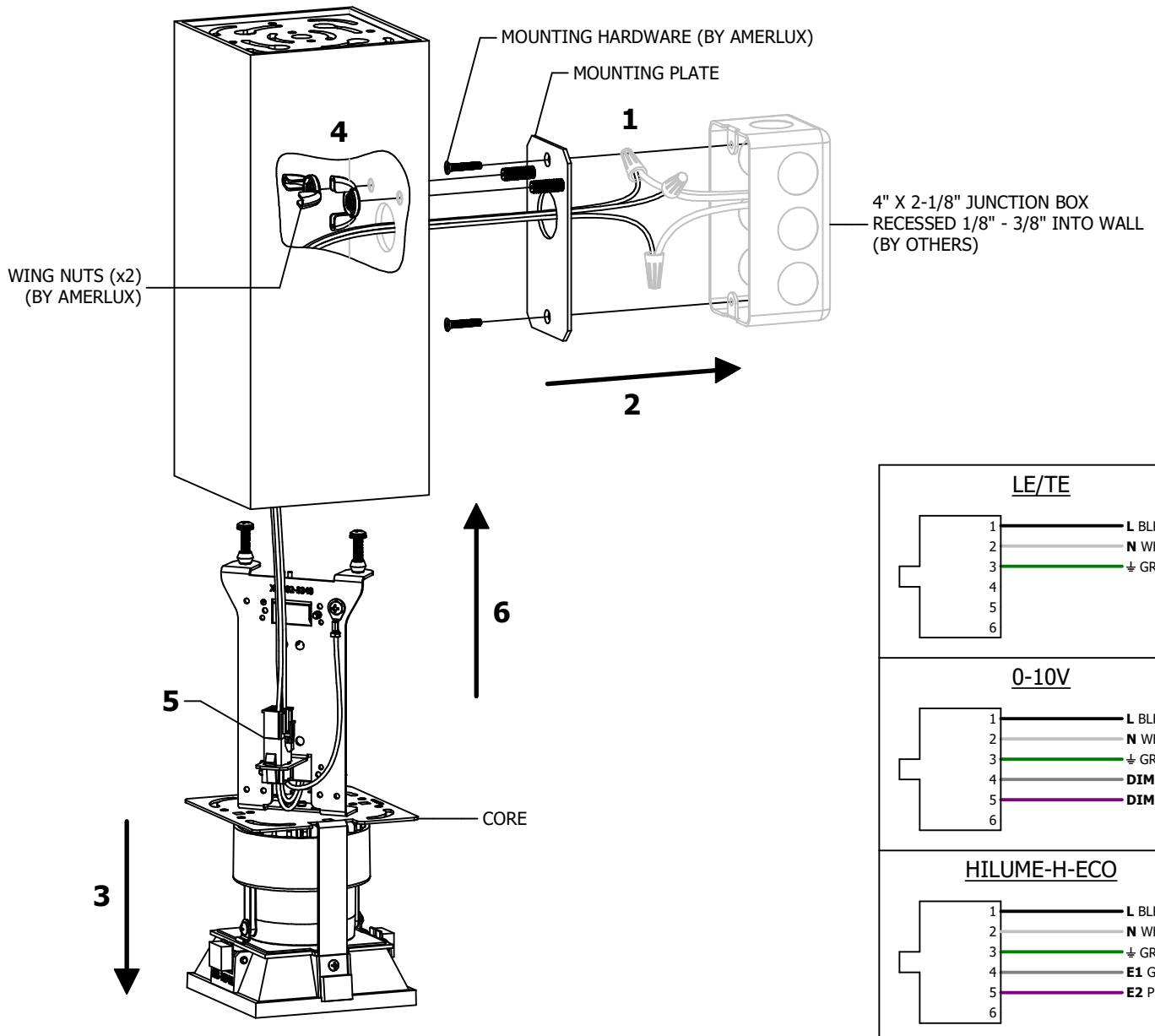
**689-0840**

PAGE 1 OF 1

**WARNING - RISK OF FIRE AND ELECTRICAL SHOCK. FIXTURE MUST BE INSTALLED BY A QUALIFIED ELECTRICIAN ONLY. FIXTURE IS INTENDED FOR INSTALLATION IN ACCORDANCE WITH THE NATIONAL ELECTRICAL CODE, LOCAL AND FEDERAL SPECIFICATIONS. DISCONNECT POWER AT ELECTRICAL PANEL BEFORE SERVICING.**

**RETAIN THESE INSTRUCTIONS FOR MAINTENANCE REFERENCE.**

- 1** WIRE MALE HARNESS FROM MOUNTING KIT TO HOUSE WIRES (SEE DIAGRAMS)
- 2** FEED HARNESS THROUGH MOUNTING PLATE CENTERHOLE, THEN ATTACH MOUNTING PLATE TO J-BOX
- 3** REMOVE CORE FROM FIXTURE (REFER TO 689-0764 FOR FURTHER INSTRUCTION)
- 4** FEED HARNESS THROUGH HOUSING CENTERHOLE, THEN ATTACH HOUSING TO PLATE STUDS WITH WING NUTS
- 5** CONNECT MALE HARNESS TO FEMALE HARNESS ON CORE
- 6** RE-INSTALL CORE IN HOUSING



**Amerlux, 178 Bauer Drive, Oakland, N.J. 07436, T: 973-882-5010, F: 973-882-2604 [www.amerlux.com](http://www.amerlux.com)**