

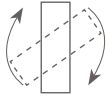
# Rook® 350

3.5" Square Wall Mount  
Universal,  
Direct or Indirect



Direct Wall Mount

Indirect Wall Mount



## Features

The contemporary Rook 350 Direct or Indirect Wall Mount is universal allowing the fixture to be mounted as a Direct or Indirect luminaire just by flipping its orientation. Rook 350 has the same optical performance as our Hornet 3.5" Downlights. With only a 3.5" aperture, the Rook 350 can be used to add visual interest to walls or columns. The flush mount option is a perfect solution for ADA compliance. The Rook 350 cylinder family is available as a pendant, surface or wall mount allowing it to fit in any retail, hospitality or commercial environment.

## Product Overview

**Type:** Square Wall Mount Universal, Direct or Indirect (Field changeable to indirect orientation)

**Wattage:** 11, 16 (R350WS) or 14, 21 (R350WSL)

**Color Temp:** 2200K, 2700K, 3000K, 3500K, 4000K

**CRI:** 83 typ. (2700K, 3000K, 3500K, 4000K)  
90+ typ. (2200K, 2700K, 3000K, 3500K, 4000K)  
CrispWhite & Class A LED available

**Dimming:** TRIAC & ELV (120V/277V) - 5% Dim  
Lutron Hi-lume® H Series/EcoSystem - 1% dim with soft on, fade to black, 120V/277V  
0-10V (120V/277V) - 1% Dim

## PROJECT:

Direct Remote Wall Mount

Indirect Remote Wall Mount



See page 4 for other mounting options

**Note:** Indirect Mounting Kit provided with all fixtures to mount fixture for uplighting.

## TYPE:

### Performance Chart

Watts	Delivered Lumens	LPW	CBCP	Color Temp
<b>RK350WS</b>				
11	796	72.4	7,627	3000K-83
16	1,162	72.6	11,128	3000K-83
<b>RK350WSL</b>				
14	1,429	102	2,025	3000K-83
21	2,133	101.6	3,023	3000K-83

Data is based on 30K-83 IES files available on website. See pgs 5-6 for data on other beam spreads.

### Electrical Data

<b>RK350WS</b>				
	11W		16W	
	System Watts	Amps	System Watts	Amps
120V	11	0.09	16	0.13
277V	11	0.04	16	0.06
<b>RK350WSL</b>				
	14W		21W	
	System Watts	Amps	System Watts	Amps
120V	14	0.12	21	0.18
277V	14	0.05	21	0.08

Electronic constant current LED driver

### Max. Fixture Weights

Model	Weight (lbs)
RK350WS(L)-U	5.2
RK350WS(L)-U-REMOTE	4.2
RK350WS(L)-U (FWM)	4.0
RK350WS(L)-U-REMOTE (FWM)	2.8

Remote driver & driver box are not included in weight



# Rook® 350

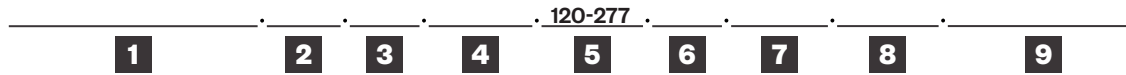
3.5" Square Wall Mount Universal, Direct or Indirect



## PROJECT:

## TYPE:

### Ordering Information



#### Open Unit

- 1** Model  
**RK350WS-U**  
**RK350WS-U-REMOTE** (remote driver)
  
- 2** Wattage  
**11**  
**16**
  
- 3** Housing Finish  
**MW** - matte white  
**MB** - matte black  
**SLV** - matte silver
  
- 4** Mounting\* (matches housing finish)  
**FWM** - flush wall mount (ADA compliant)  
**WM** - wall mount (no wall plate)  
**CWM** - wall mount with wall plate  
**CDWM** - wall mount conduit cover
  
- 5** Voltage  
**120-277**
  
- 6** Trim Finish  
**MW** - matte white  
**MB** - matte black  
**SLV** - matte silver
  
- 7** Beam Spread  
**SP** - spot, 15°  
**NF** - narrow flood, 20°  
**MFL** - medium flood, 24°  
**FL** - flood, 28°  
**WF** - wide flood, 45°  
**VWF** - very wide flood, 60°  
**LS** - linear spread, 60°x10°
  
- 8** Color Temp  

<b>83 CRI</b>	<b>90+ CRI</b>	
<b>27</b> - 2700K-83	<b>229</b> - 2200K-90+	<b>CRISP</b> - CrispWhite
<b>30</b> - 3000K-83	<b>279</b> - 2700K-90+	<b>3CLA</b> - 3K Class A
<b>35</b> - 3500K-83	<b>309</b> - 3000K-90+	
<b>40</b> - 4000K-83	<b>359</b> - 3500K-90+	
	<b>409</b> - 4000K-90+	
  
- 9** Driver  
**LE/TE** - TRIAC/ELV dimming, 5% dim  
**O-10V** - 0-10V dimming; 1% dim  
**HILUME-H-ECO** - Lutron Hi-lume® H Series, EcoSystem, 1% dim with soft on, fade to black

#### Lensed Unit

- 1** Model  
**RK350WSL-U** (Lensed)  
**RK350WSL-U-REMOTE** (Lensed, remote driver)
  
- 2** Wattage  
**14**  
**21**
  
- 3** Housing Finish  
**MW** - matte white  
**MB** - matte black  
**SLV** - matte silver
  
- 4** Mounting\* (matches housing finish)  
**FWM** - flush wall mount (ADA compliant)  
**WM** - wall mount (no wall plate)  
**CWM** - wall mount with wall plate  
**CDWM** - wall mount conduit cover
  
- 5** Voltage  
**120-277**
  
- 6** Trim Finish  
**MW** - matte white  
**MB** - matte black  
**SLV** - matte silver
  
- 7** Beam Spread  
**30SOL** - 30° solite lens  
**50SOL** - 50° solite lens  
**65SOL** - 65° solite lens  
**75SAT** - 75° satin ice lens
  
- 8** Color Temp  

<b>83 CRI</b>	<b>90+ CRI</b>	
<b>27</b> - 2700K-83	<b>229</b> - 2200K-90+	<b>CRISP</b> - CrispWhite
<b>30</b> - 3000K-83	<b>279</b> - 2700K-90+	<b>3CLA</b> - 3K Class A
<b>35</b> - 3500K-83	<b>309</b> - 3000K-90+	
<b>40</b> - 4000K-83	<b>359</b> - 3500K-90+	
	<b>409</b> - 4000K-90+	
  
- 9** Driver  
**LE/TE** - TRIAC/ELV dimming, 5% dim  
**O-10V** - 0-10V dimming; 1% dim  
**HILUME-H-ECO** - Lutron Hi-lume® H Series, EcoSystem, 1% dim with soft on, fade to black

**\* Note: Indirect Mounting Kit provided with all fixtures to mount fixture for uplighting. Not recommended for FWM option.**

# Rook® 350

3.5" Square Wall Mount Universal, Direct or Indirect



## PROJECT:

## TYPE:

### Specifications

#### Application

Commercial, hospitality and retail ambient/accent wall mounted fixtures.

#### Construction

Extruded aluminum housing  
Die-cast trim  
Extruded aluminum heat sink  
Fixture shipped with dust cover for use when fixture is used as indirect

#### Optical

**RK350WS Beam Spreads:**  
Spot, 15°; Narrow Flood, 22°; Medium Flood, 25°; Flood, 28°;  
Wide Flood, 45°; Very Wide Flood, 60°;  
Linear Spread, 60° x 10°  
**RK350WSL Beam Spreads:**  
**Satin Ice Lens** for maximum source concealment and wide distribution with a visually "hotter" aperture. 75° beam spread.  
**Solite Lens** for maximum efficacy and a visually quieter aperture. 30°, 50° & 65° beam spread options. Visually best with SLV reflector finish.

#### LED

**Color Temp Options:** 2200K, 2700K, 3000K, 3500K, 4000K  
**CRI:** 83 typ. (2700K, 3000K, 3500K, 4000K)  
90+ typ. (2200K, 2700K, 3000K, 3500K, 4000K)  
CrispWhite\* LED available  
Class A\*\* 3000K LED available  
**R9 Values:** 11 (83 CRI), 55 (90+ CRI)  
**Binning:** 3 MacAdam (SDCM)  
**Life:** 50,000+ hrs, > 70% of initial lumens at 50,000 hrs

*\*CrispWhite: CrispWhite Technology delivers the warmth of colors expected from a high 90 CRI solution but also creates the natural crisp white color that is pleasing to the eye. It creates the most impactful lighting ever available, by revealing the richest whites and vibrant colors that pop.*

*\*\*Class A LED: Class A LED's have a CRI > 80 and a GAI > 80. CRI defines color "Naturalness" and GAI defines color "Saturation." Both being high delivers rich colors and pure whites.*

#### Electrical

**Wattage:** 11, 16 (RK350WS) or 14, 21 (RK350WSL)  
Electronic constant current LED driver, 120V-277V input  
**This product complies with IEEE C62.41 for surge endurance up to 2.5KV. Amerlux® recommends using additional surge protection with this unit (supplied by others), surge and over voltage damage is not covered under warranty.**

**For emergency:** Remote EM inverter or emergency circuit by others

**Remote Driver Wiring:** Driver is supplied installed in remote driver box, (one driver per box), with 5' of low voltage plenum rated cable. Amerlux recommends a maximum of 15' between the fixture and the remote driver box. Consult factory with job specific electrical spec if more than 15' is required.

#### Drivers

LE/TE - Leading Edge, TRIAC, forward phase/Trailing Edge, ELV, reverse phase  
0-10V and Lutron also available see ordering page

#### Finish

Powder coat paint  
Consult factory for custom finishes

#### Mounting

Wall mounted (direct orientation), see options on pg 4

**Note: For Indirect orientation, use the INDIRECT MOUNTING KIT**

- Flip the mounting bracket
- Mount the Dust cover provided in kit
- Mounting bracket & design symmetrically centered

**Not recommended for the Flush Wall Mount option.**

#### Certifications

CSA tested to UL standards  
Indoor use only  
Damp location

#### Warranty

5 year limited warranty

# Rook® 350

3.5" Square Wall Mount Universal, Direct or Indirect

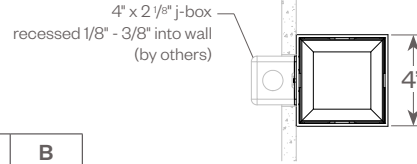
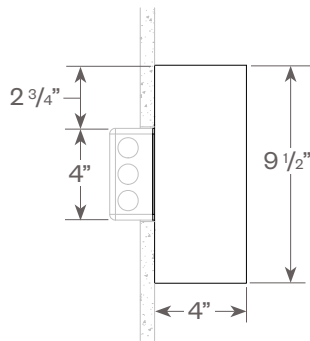


## PROJECT:

## TYPE:

### Flush Wall Mount

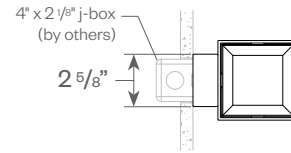
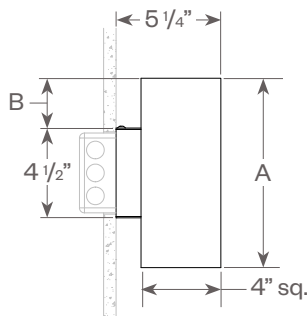
Flush Wall Mount Fixtures - not recommended to be flipped to indirect.



Fixture	A	B
RK350W(S/SL)	9 1/2"	2 3/4"
RK350W(S/SL)-REMOTE	6 1/2"	1 1/4"

### Wall Mount

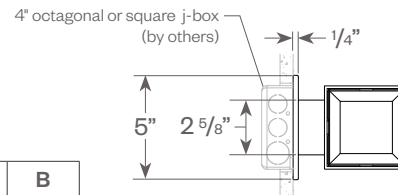
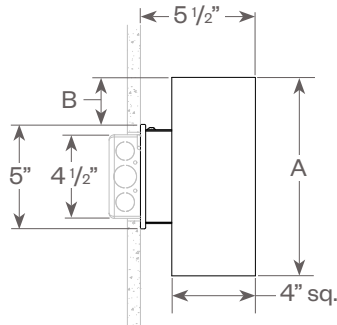
Wall Mount Fixtures are capable of being flipped to indirect.  
Dust cover provided with fixture for indirect orientation.



Fixture	A	B
RK350W(S/SL)	9 1/2"	2 1/2"
RK350W(S/SL)-REMOTE	6 1/2"	1"

### Wall Mount with Wall Plate

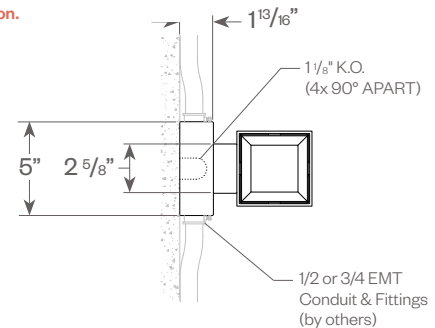
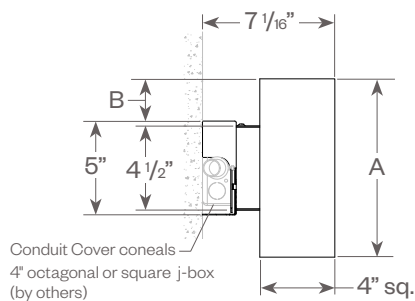
Wall Mount with Wall Plate Fixtures are capable of being flipped to indirect.  
Dust cover provided with fixture for indirect orientation.



Fixture	A	B
RK350W(S/SL)	9 1/2"	2 1/4"
RK350W(S/SL)-REMOTE	6 1/2"	3/4"

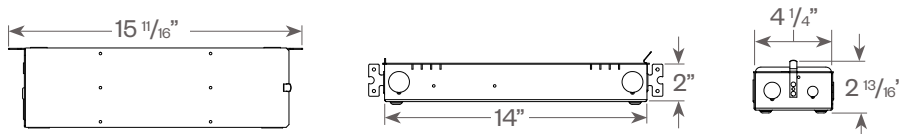
### Wall Mount Conduit Cover

Wall Mount Conduit Cover Fixtures are capable of being flipped to indirect.  
Dust cover provided with fixture for indirect orientation.



Fixture	A	B
RK350W(S/SL)	9 1/2"	2 1/4"
RK350W(S/SL)-REMOTE	6 1/2"	3/4"

### Remote Driver Box



Driver is supplied installed in remote driver box, (one driver per box), with 15' of low voltage plenum rated cable. Amerlux recommends a maximum of 15' between the fixture and the remote driver box. Consult factory with job specific electrical spec if more than 15' is required.

# Rook® 350

3.5" Square Wall Mount Universal, Direct or Indirect



## PROJECT:

## TYPE:

### RK350WS

**FIXTURE DATA:** (Complete photometric data (.ies format) available upon request)

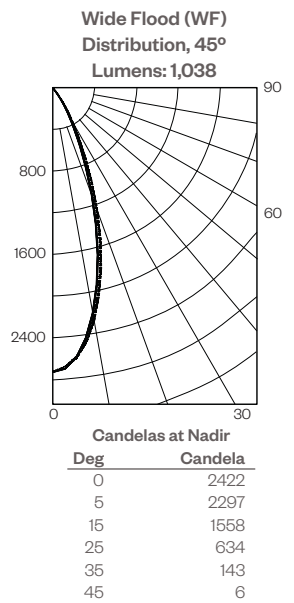
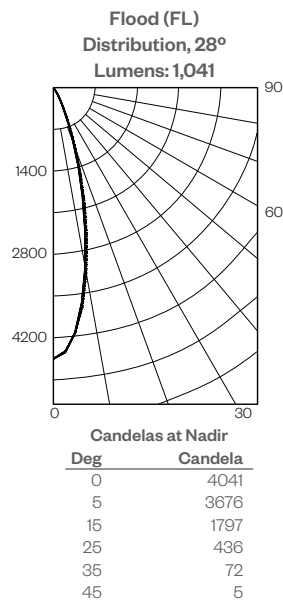
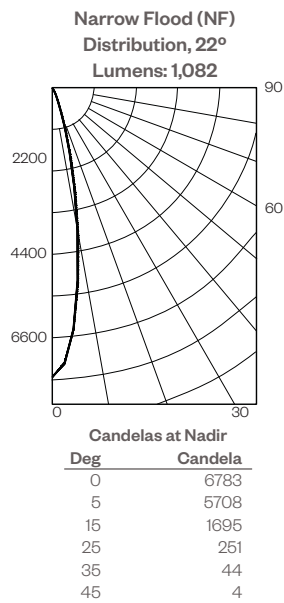
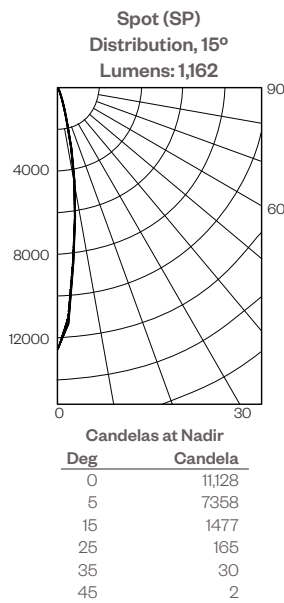
**MULTIPLYING FACTORS:** (Multiplying Factor is based on 3000K-83 120V IES file on website)

Wattage:	11W	16W
Factor:	0.69	1.0

CCT:	2700K-83	3000K-83	3500K-83	4000K-83
Factor:	0.96	1.0	1.02	1.04

CCT:	2200K-90+	2700K-90+	3000K-90+	3500K-90+	4000K-90+	CRISP	3CLA
Factor:	0.71	0.80	0.83	0.87	0.90	0.65	0.75

### 16W LED, 3000K-83



### Application Data:

RK350WS Mounted at 7' (to bottom of fixture) on wall  
Footcandles on wall

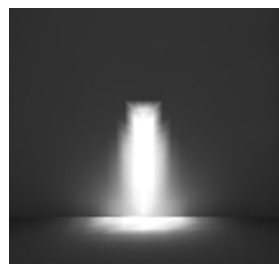
**Spot**

Distance from fixture	Footcandle distribution							
	0.5	1.5	2.5	3.5	4.5	5.5	6.5	7.5
0.5	0	0	0	60	59	0	0	0
1.5	0	0	1	75	90	1	0	0
2.5	0	0	2	39	45	2	0	0
3.5	0	1	3	20	23	3	1	0
4.5	1	1	4	14	14	4	1	1
5.5	1	1	5	11	11	5	2	1
6.5	1	2	5	11	11	5	2	1



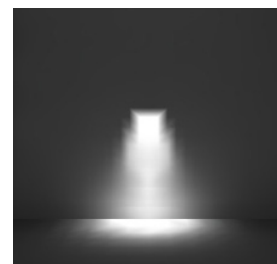
**Narrow Flood**

Distance from fixture	Footcandle distribution							
	0.5	1.5	2.5	3.5	4.5	5.5	6.5	7.5
0.5	0	0	0	68	70	0	0	0
1.5	0	0	2	72	83	2	0	0
2.5	0	0	3	32	37	3	0	0
3.5	0	1	3	17	17	3	1	0
4.5	0	1	3	10	11	3	1	0
5.5	1	1	4	8	8	4	1	1
6.5	0	1	4	8	7	4	2	1



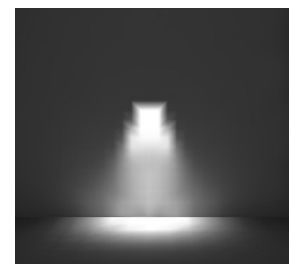
**Flood**

Distance from fixture	Footcandle distribution							
	0.5	1.5	2.5	3.5	4.5	5.5	6.5	7.5
0.5	0	0	1	89	71	0	0	0
1.5	0	0	2	71	73	2	0	0
2.5	0	0	4	27	30	3	0	0
3.5	0	1	4	13	13	4	1	0
4.5	1	1	3	8	7	3	1	1
5.5	1	2	4	6	6	4	2	1
6.5	1	2	4	6	6	4	2	1



**Wide Flood**

Distance from fixture	Footcandle distribution							
	0.5	1.5	2.5	3.5	4.5	5.5	6.5	7.5
0.5	0	0	1	92	111	1	0	0
1.5	0	0	3	59	78	4	0	0
2.5	0	1	4	20	23	5	1	0
3.5	0	1	4	9	9	4	1	0
4.5	1	1	3	5	5	3	1	1
5.5	1	1	3	4	4	3	2	1
6.5	1	1	3	4	3	3	2	1



# Rook® 350

3.5" Square Wall Mount Universal, Direct or Indirect



## PROJECT:

## TYPE:

### RK350WSL

**FIXTURE DATA:** (Complete photometric data (.ies format) available upon request)

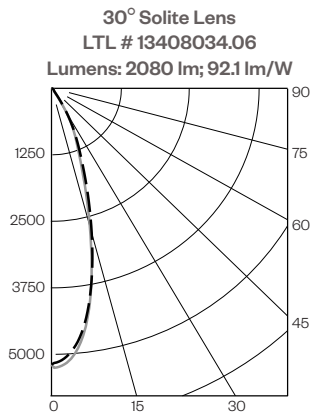
**MULTIPLYING FACTORS:** (Multiplying Factor is based on 3000K-83 120V IES file on website)

Wattage:	14W	21W
Factor:	0.67	1.0

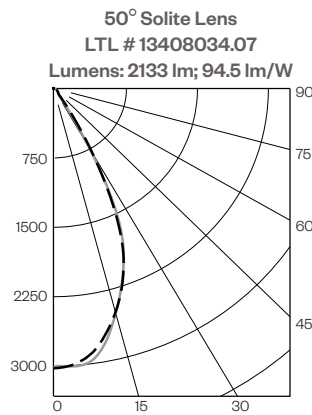
CCT:	2700K-83	3000K-83	3500K-83	4000K-83
Factor:	0.96	1.0	1.02	1.04

CCT:	2200K-90+	2700K-90+	3000K-90+	3500K-90+	4000K-90+	CRISP	3CLA
Factor:	0.71	0.80	0.83	0.87	0.90	0.65	0.75

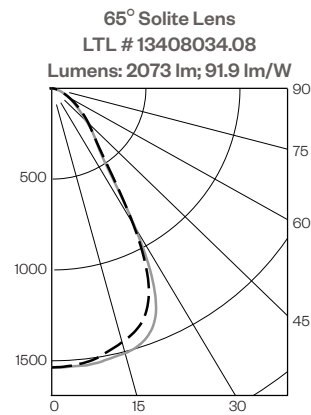
### 21W LED, 3000K-83



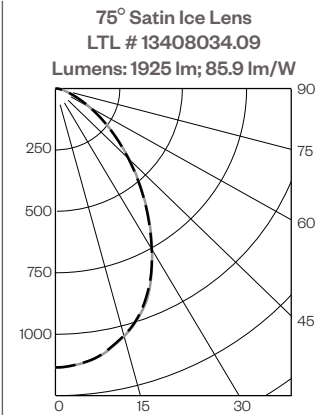
Candelas at Nadir	
Deg	Candela
0	5191
5	4959
15	2524
25	955
35	141
45	58



Candelas at Nadir	
Deg	Candela
0	3023
5	3010
15	2495
25	1604
35	180
45	66



Candelas at Nadir	
Deg	Candela
0	1537
5	1535
15	1509
25	1305
35	479
45	267



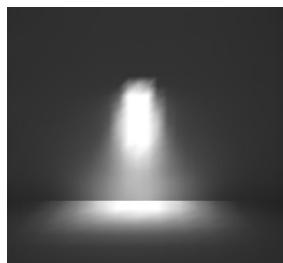
Candelas at Nadir	
Deg	Candela
0	1135
5	1125
15	1043
25	880
35	636
45	410

### Application Data:

RK350WSL Mounted at 7' (to bottom of fixture) on wall  
Footcandles on wall

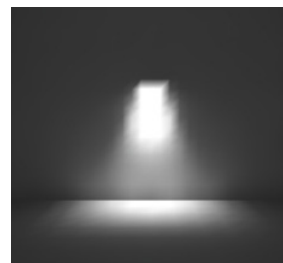
**30SOL**

Distance from fixture	0.5	1	1	3	205	212	2	1	1
1.5	1	1	6	108	129	6	1	1	
2.5	1	1	7	39	44	7	1	1	
3.5	1	2	6	18	19	7	2	1	
4.5	1	2	6	11	11	6	2	1	
5.5	2	3	6	9	9	6	3	2	
6.5	2	3	6	8	8	6	3	2	



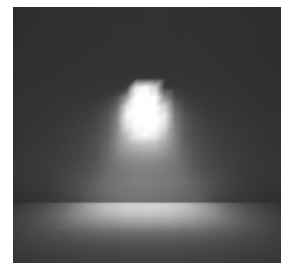
**50SOL**

Distance from fixture	0.5	1	1	3	227	252	3	1	1
1.5	1	1	8	108	140	8	1	1	
2.5	1	1	8	31	33	10	1	1	
3.5	1	2	7	13	13	7	2	1	
4.5	2	3	6	8	8	6	3	2	
5.5	2	4	6	6	7	6	4	2	
6.5	2	3	5	5	5	5	3	2	



**65SOL**

Distance from fixture	0.5	1	1	9	283	254	5	1	1
1.5	1	2	11	71	77	11	2	1	
2.5	1	2	8	19	21	8	2	1	
3.5	1	2	5	8	8	6	2	1	
4.5	2	2	4	4	4	4	3	2	
5.5	2	3	3	4	4	3	3	2	
6.5	2	3	3	3	3	3	3	2	



**75SAT**

Distance from fixture	0.5	1	1	8	203	272	9	1	1
1.5	1	2	10	58	79	13	2	1	
2.5	1	2	6	14	15	8	3	1	
3.5	1	2	4	6	6	4	3	1	
4.5	2	2	3	4	4	3	2	2	
5.5	2	2	3	3	3	3	2	2	
6.5	1	2	2	2	2	2	2	2	



# Rook® 350

3.5" Square Wall Mount Universal, Direct or Indirect



## PROJECT:

## TYPE:

### DIMMING COMPATIBILITY:

Amerlux® Rook fixtures are compatible with all major dimming protocols prevalent in the United States. Please see below for general compatibilities and wiring diagrams. Amerlux recommends testing your unique dimming configuration as the exact full configuration (Dimmer, Fixture Quantity, Voltage, etc) may affect dimming performance.

**--- NOTE: INFORMATION BELOW IS FOR WIRED DIMMERS ONLY. FOR WIRELESS DIMMERS, CONSULT FACTORY ---**

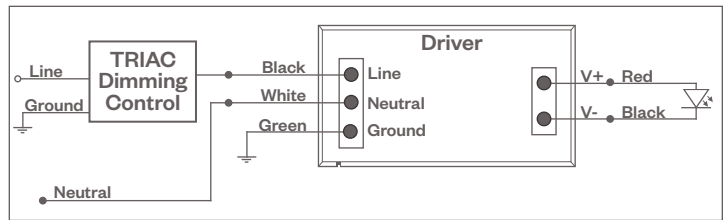
### TRIAC (Forward Phase) DIMMING (Standard)

Utilizes standard TRIAC dimmers that are in wide use in installations across the US. Best for retrofit applications where TRIAC dimmers are installed.

#### Notes:

- 120VAC or 277VAC\*
- Dims down to 5% light output (most cases)
- Consult Dimming manufacturer for installation instructions - DO NOT SHARE NEUTRALS!
- Must meet dimmer Minimum Load Requirements per dimming manufacturer

TRIAC Wiring Diagram



#### Compatible Dimmers†:

Wall Box (TRIAC 120VAC)	Central System
Lutron "Diva"	Lutron "GP" Panel
Lutron "Nova-T"	Lutron Grafik Eye QS
Lutron "Maestro"	
Lutron "Vareo"	
Lutron "Skylark"	

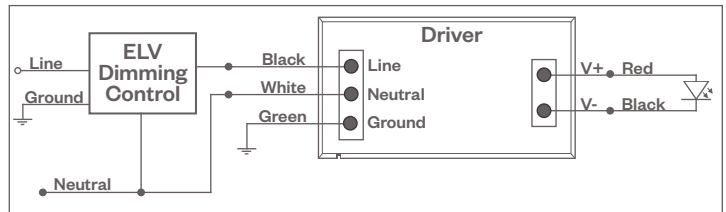
### ELV - Electronic Low Voltage (Reverse Phase) DIMMING (Standard)

Utilizes specialized "ELV" dimmers.

#### Notes:

- 120VAC or 277VAC\*
- Dims down to 5% light output (most cases)
- Consult Dimming manufacturer for installation instructions - DO NOT SHARE NEUTRALS!
- Must meet dimmer Minimum Load Requirements

ELV Wiring Diagram



#### Compatible Dimmers†:

Wall Box (ELV 120VAC)	Wall Box (ELV 277VAC)	Central System
Lutron "Diva"	Leviton Revoir II AWSMT-E	Lutron "GP" Panel with PHPM-PA 120/277VAC
Lutron "Nova-T"		Lutron Grafik Eye QS with PHPM-PA 120/277VAC
Lutron "Maestro"		
Lutron "Vareo"		
Lutron "Skylark"		
Leviton "Surslide"		
Leviton "Vizio"		

#### Notes:

- \* Driver is 277VAC dimmable with appropriate dimmer (by others). All provided wiring diagrams show 120VAC wiring colors and method. Please refer to 277VAC dimmer manufacturer installation instructions for 277VAC wiring diagrams.
- † The absence of a dimmer from the lists above does not imply incompatibility. Please consult factory for compatibility inquiries.

# Rook® 350

3.5" Square Wall Mount Universal, Direct or Indirect



## PROJECT:

## TYPE:

### DIMMING COMPATIBILITY:

Amerlux® Rook fixtures are compatible with all major dimming protocols prevalent in the United States. Please see below for general compatibilities and wiring diagrams. Amerlux recommends testing your unique dimming configuration as the exact full configuration (Dimmer, Fixture Quantity, Voltage, etc) may affect dimming performance.

**--- NOTE: INFORMATION BELOW IS FOR WIRED DIMMERS ONLY. FOR WIRELESS DIMMERS, CONSULT FACTORY ---**

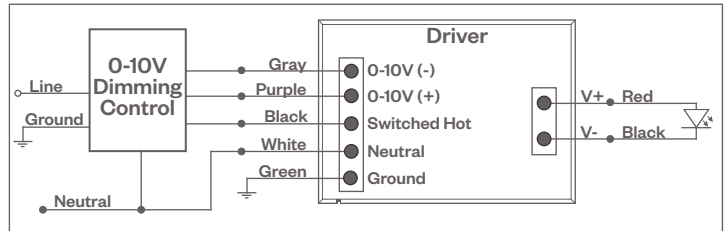
### 0-10V DIMMING

Integrates into a variety of building management and daylighting controls

#### Notes:

- 120VAC or 277VAC\*
- Dims down to 1% light output
- Requires interface to turn off power to driver
- Consult Dimming manufacturer for installation instructions - DO NOT SHARE NEUTRALS!

0-10V Wiring Diagram



#### Compatible Dimmers†:

##### Wall Box

Lutron "Diva" - DTVV with PP-120H Interface

Leviton Renoir II 0-10V

##### Central System

Lutron Grafik Eye with GRX-TV1 Interface

### LUTRON H-SERIES / ECOSYSTEM DIMMING

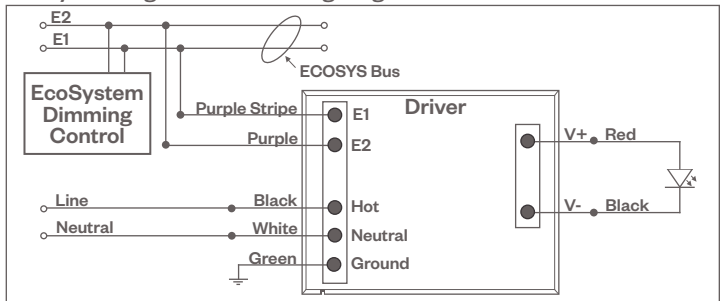
Integrates into Lutron EcoSystem building management

#### Notes:

- 120V or 277V\*
- Dims down to 1% light output
- EcoSystem Control
- Consult Dimming manufacturer for installation instructions - DO NOT SHARE NEUTRALS!

HILUME-H-ECO

EcoSystem Digital Control Wiring Diagram



#### Compatible Dimmers†:

##### Wall Box

Lutron "Diva"

Lutron "Nova-T"

Lutron "Maestro"

Lutron "Vareo"

##### Central System

Lutron EcoSystem compatible controls

#### Notes:

- \* Driver is 277VAC dimmable with appropriate dimmer (by others). All provided wiring diagrams show 120VAC wiring colors and method. Please refer to 277VAC dimmer manufacturer installation instructions for 277VAC wiring diagrams.
- † The absence of a dimmer from the lists above does not imply incompatibility. Please consult factory for compatibility inquiries.