

Grüv® 2.5" Perimeter Cove

Recessed Linear LED



PROJECT:

TYPE:

Features

Designed to provide high-performance, visually comfortable, high efficient comfortable perimeter ambient lighting with a 2.5" aperture for commercial and office environments. Featuring a 2.5" regress and a choice of ceiling interface options, Gruv 2.5 Cove is an effective and aesthetically pleasing way of lighting space perimeters.



EDR-1730-GRUV2.5-IS

Product Overview

Type: Recessed Linear, Direct
 Wattage: 5W/ft, 10W/ft (other wattages available see p2)
 Color Temp: 2700K, 3000K, 3500K, 4000K; Tunable White (2700K-5700K)
 CRI: 83 or 90+ typ. (2700K, 3000K, 3500K, 4000K)
 90+ (Tunable White)
 Dimming (wired): Static White Tunable White
 0-10V, 1% dimming (standard) 0-10V TW, 1% dimming
 Lutron LDE1 Hi-lume® 1% Dim DALI DT8, 1% digital dimming
 Soft-On/Fade-to-Black
 DALI dimming, 1% dim

Certifications



Fixture Summary

Ceiling Types

9/16"	15/16"	Gyp Board	Millwork
Yes	CF	Yes	Yes

CF - consult factory.

Performance Data

Nominal Wattage/Foot	Delivered Lumens	LPW	Color Temp-CRI
5	1972	99.5	3500K-83
10	3662	92.1	3500K-83

Data is based on 4' fixture with Performance lens, 3500K, 83CRI IES files available on website.

Electrical Data

Wattage/Foot	Voltage	4'		8'	
		System Watts	Amps	System Watts	Amps
5	120V	22.3	0.18	41.9	0.35
	277V	22.9	0.09	41.6	0.16
10	120V	42.1	0.30	84.2	0.70
	277V	41.5	0.15	83.0	0.30

Electronic multi-volt (120-277VAC), constant current LED driver.

Grüv® 2.5" Perimeter Cove

Recessed Linear LED



PROJECT:

TYPE:

Ordering Information



1 Model EDR-1730-GRUV2.5-IS-J/GB-COVE-A16* j-mold/gyp board trimless EDR-1730-GRUV2.5-IS-J/GRID-COVE-A16* j-mold/grid EDR-1730-GRUV2.5-IS-J/FLG-COVE-A16* j-mold/flange	2 Optics PL performance lens (<i>standard</i>) DL designer lens SLDW straight blade louver, white aluminum, solid blades w/overlay SLDB straight blade louver, black, solid blades w/overlay SLDS straight blade louver, silver, solid blades w/overlay
---	---

3 Wattage (per foot) <table border="1"> <tr> <th>Standard</th> <th>Optional</th> </tr> <tr> <td>5 5W/ft</td> <td>3 3W/ft*</td> </tr> <tr> <td>10 10W/ft</td> <td>4 4W/ft*</td> </tr> <tr> <td></td> <td>6 6W/ft</td> </tr> <tr> <td></td> <td>7 7W/ft</td> </tr> <tr> <td></td> <td>8 8W/ft</td> </tr> <tr> <td></td> <td>9 9W/ft</td> </tr> </table> <p><small>* 4' min. length required</small></p>	Standard	Optional	5 5W/ft	3 3W/ft*	10 10W/ft	4 4W/ft*		6 6W/ft		7 7W/ft		8 8W/ft		9 9W/ft	4 Color Temp-CRI <table border="1"> <tr> <th colspan="2">Static White</th> </tr> <tr> <td>27 2700K-83</td> <td>279 2700K-90+</td> </tr> <tr> <td>30 3000K-83</td> <td>309 3000K-90+</td> </tr> <tr> <td>35 3500K-83</td> <td>359 3500K-90+</td> </tr> <tr> <td>40 4000K-83</td> <td>409 4000K-90+</td> </tr> <tr> <th colspan="2">Tunable White</th> </tr> <tr> <td colspan="2">TW9-2757 tunable white, 90CRI (2700K-5700K)</td> </tr> </table>	Static White		27 2700K-83	279 2700K-90+	30 3000K-83	309 3000K-90+	35 3500K-83	359 3500K-90+	40 4000K-83	409 4000K-90+	Tunable White		TW9-2757 tunable white, 90CRI (2700K-5700K)		5 Finish HW high reflectance matte white	6 Voltage 120/277
Standard	Optional																														
5 5W/ft	3 3W/ft*																														
10 10W/ft	4 4W/ft*																														
	6 6W/ft																														
	7 7W/ft																														
	8 8W/ft																														
	9 9W/ft																														
Static White																															
27 2700K-83	279 2700K-90+																														
30 3000K-83	309 3000K-90+																														
35 3500K-83	359 3500K-90+																														
40 4000K-83	409 4000K-90+																														
Tunable White																															
TW9-2757 tunable white, 90CRI (2700K-5700K)																															

7 Length <table border="1"> <tr> <th>Length A</th> <th>Length B</th> <th>Length C</th> </tr> <tr> <td>- all patterns</td> <td>- all patterns</td> <td>- PU</td> </tr> <tr> <td>- IND</td> <td>- PR (2 lengths of 2)</td> <td>- PZ</td> </tr> <tr> <td>- CON</td> <td></td> <td></td> </tr> <tr> <td>- CUS</td> <td></td> <td></td> </tr> </table>	Length A	Length B	Length C	- all patterns	- all patterns	- PU	- IND	- PR (2 lengths of 2)	- PZ	- CON			- CUS			8 Configuration IND ¹ individual fixture, 2' to 8' in 1' increments CON continuous run > than 8', specify to nearest foot CUS custom made to measure, ± 1/8" of customer supplied field dimensions <u>Standard Patterns</u> (<i>see pg 8 for details</i>) PLL L left, (2) straights + (1) 90° corner, leg right PLR L right, (2) straights + (1) 90° corner, leg left PU U shape, (3) straight lengths + (2) 90° corners PR Rectangle shape, (4) straight lengths + (4) 90° corners PZ Z shape, (3) straight lengths + (2) 90° corners
Length A	Length B	Length C														
- all patterns	- all patterns	- PU														
- IND	- PR (2 lengths of 2)	- PZ														
- CON																
- CUS																

9 Drivers/Controls <u>Wired - Static White</u> O-10V 1% analogue dimming, 120-277VAC, dim to off when selected with wireless dimming control HILUME-H-ECO Lutron LDE1 Hi-lume® 1% dim Soft-On/Fade-to-Black DALI DALI dimming 120-277VAC, 1% dim <u>Wired - Tunable White</u> O-10V-TW 1% dimming, multi-volt (120V-277V) constant current DALI-DT8 1% digital dimming, CCT control per DALI DT8 (120V-277V) constant current	10 Options/Accessories CP Chicago Plenum (CCEA) WHIP 6' whip, 18/5 conductor EMC-PF² emergency circuit requires power feed located in last fixture section (<i>for other locations consult factory</i>) PF² extra power feed for additional circuiting FC section at the end of the row designed to be field cuttable up to 6" to provide on-site fixture length flexibility EMB emergency battery pack (<i>not available for lengths under 4'</i>)
--	--

* The "A" refers to the sequential revision in a year and "XX" refers to the year of update. Updates coincide with improved performance while not changing the overall fixture aesthetic and are reflected in the published performance data. Please contact your Amerlux representative for explanations of changes.

¹ Lengths less than 4' may have restrictions based upon wattage, lengths, drivers or other options.

² Not available with IND (*individual*) configuration.

Grüv[®] 2.5" Perimeter Cove

Recessed Linear LED



PROJECT:

TYPE:

Specifications

Application

Commercial and retail recessed perimeter cove ambient lighting.

Construction

Heavy gauge steel upper housing is secured to aluminum extruded trim rails. Die-formed, cold-rolled steel internal components and external mounting brackets. Numerous configurations accommodate most architectural ceiling conditions. Die formed steel cove walls - powder coat painted.

Optical

All lenses are snap-in, extruded acrylic, with a maximum length of 8'. Amerlux's proprietary acrylic lens provide excellent transmission while effectively concealing source image.
PL - Performance Lens provides high efficiency with controlled lens surface brightness (*standard*).
DL - Designer Lens provides flat even glow on lens. Best when lens is in direct or constant view. Such as vertical wall mounted.
SLD - Straight blade Louver Direct has 0.5" high blades 0.75" on center with overlay. Available in white aluminum (*light gray, appears white when lit*), black or silver

LED

Amerlux's boards and patented connector design with brand name LEDs enables Amerlux fixtures to have excellent thermal management and offer a 5 year warranty. Our LED binning is within 3 MacAdam ellipse. Boards are configured for maximum flexibility resulting in even illumination no matter the fixture layout. LED boards are easily replaced in the field with just a Phillips screw driver.

	Static White	Tunable White
CCT:	2700K, 3000K, 3500K, 4000K	2700K-5700K
CRI:	83 or 90+ typical	90+ (<i>92 typ</i>)
R9:	16 @ CRI 83; >50 @ CRI 90+	>50
Life:	50,000+ hr., > 70% of initial lumens (L70)	

Electrical

Wiring: Supply wires are easily accessible through access plate on top of fixture.
WHIP: Optional factory installed 6' Greenfield whip (*18/5 conductor*) simplifies installation.
Standard Wattage: 5W/ft, 10W/ft.
Optional Wattages: 3W/ft, 4W/ft, 6W/ft, 7W/ft, 8W/ft, 9W/ft. (*3W & 4W have a minimum length of 4'*). For other wattages consult factory. Emergency circuit via remote inverter or auxiliary emergency power supply (*by others*).
This product complies with IEEE C62.41 for surge endurance up to 2.5KV. Amerlux[®] recommends using additional surge protection with this unit (supplied by others), surge and over voltage damage is not covered under warranty.
EMC-PF - Emergency circuit requires power feed to be located in last fixture section for continuous runs. For other locations consult factory. Not available for individual (**IND**) configuration.
PF - Extra power feed for additional circuiting. Not available for individual (**IND**) configuration.

Finish

HW - High reflectance, matte white powder coat paint. Baked on finish for maximum durability and color stability.

Configurations/Lengths

IND - Individual fixtures are made of single standard lengths of 2 ft to 8 ft (*in 1' increments*). These are stand alone fixtures with matching End Caps, supplied with the mounting hardware. Lengths less than 4' may have restrictions based upon wattage, lengths, drivers or other options.
CON - Continuous runs, > 8', specified to nearest whole foot length in 1' increments. Runs made from standard lengths have End Caps at the beginning and end of run. Runs > 60' may require second power feed. Each Housing has factory installed alignment pins. Mating fixtures are easily aligned and joined with "catch and latch" mechanisms out of sight, on top of the Housing. Wiring is made fast and positive with molded quick connectors.
CUS - Custom made to measure runs are made to nearest 1/8" of customer supplied field measurements or drawings. Custom lengths use the same hardware for hairline joining.
PXX - Standard Patterns consist of 90° corners with standard lengths (*4' to 8' in 1' increments*), continuous runs or made to measure lengths. Depending upon complexity of the pattern drawings may be required from the Customer. If ordering please give overall lengths.
A'-B'-PLL - L Left - (1) 90° Corner (2) segments. Specify overall segments: A' & B'
A'-B'-PLR - L Right - (1) 90° Corner (2) segments. Specify overall segments: A' & B'
A'-B'-PR - Rectangle - (4) 90° Corners joining (4) segments. Specify overall segments: A' & B'
A'-B'-C'-PU - U shape - (2) 90° Corners joining (3) segments. Specify overall segments: A', B', & C'
A'-B'-C'-PZ - Z shape - (2) 90° Corners joining (3) segments. Specify overall segments: A', B', & C'
See page 8 for layouts.

Mounting

Intended for use in gypsum board, 9/16" Tee grid and Screw Slot, and millwork ceilings. Wall mounting J-Molding details available. For individual, continuous row, or pattern applications.
Please note - fixtures to be installed before gypsum board ceiling.
GRUV2.5-IS-J/GB-COVE - J mold/gyp trimless, plastered in ceiling - J Channel wall side
GRUV2.5-IS-J/GRID-COVE - J mold/grid, in 9/16" Screw Slot or Flat Tee ceilings - J Channel wall side
GRUV2.5-IS-J/FLG-COVE - J mold/flange - J Channel wall side

Options

FC - section at the end of the row designed to be field cuttable up to 6" to provide on-site fixture length flexibility. Please refer to the Field Cuttable Installation Instructions on our website for more details.
Note: The length of the field cuttable section can only be reduced, not increased. For example: if a 17'-6" long fixture is specified, adjustable lengths are between 17' to 17'-6".
EMB - Emergency battery pack - 10W output power, 90 min of illumination time, up to 1300 lm of initial light output. Illuminated test-switch/charging indicator light is provided. Wattage consumption by EM: 2.5W/ft (*4ft fixture*), 1.66W/ft (*6ft fixture*), 1.25W/ft (*8ft fixture*). Request can be made to light up 4ft section on 8ft unit.

Certifications

Approved to UL standards for damp locations as tested by CSA Intended for indoor use only
Chicago Plenum (CCEA) optional

Warranty

Amerlux's 5 year limited warranty. Please consult Amerlux website for details.

Grüv[®] 2.5" Perimeter Cove

Recessed Linear LED

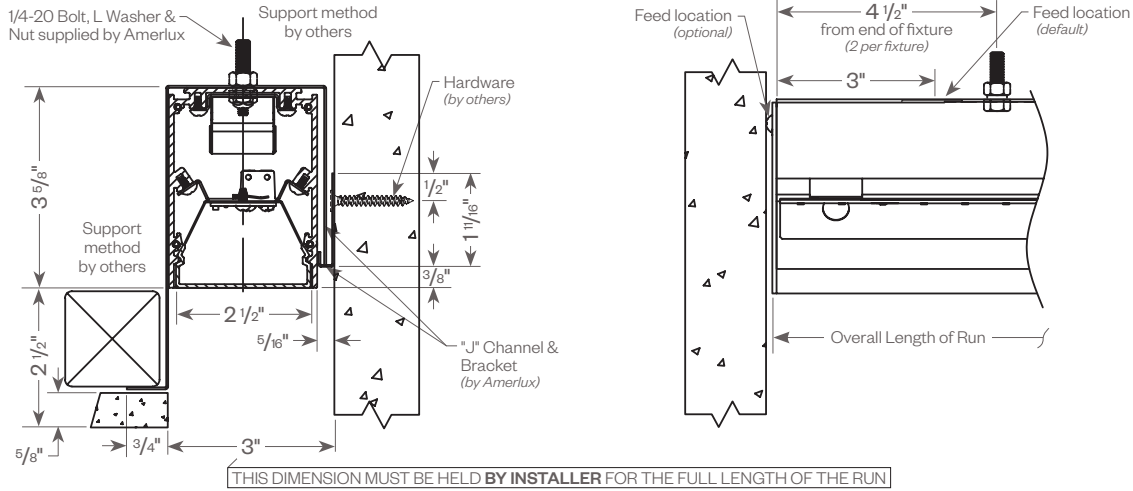


PROJECT:

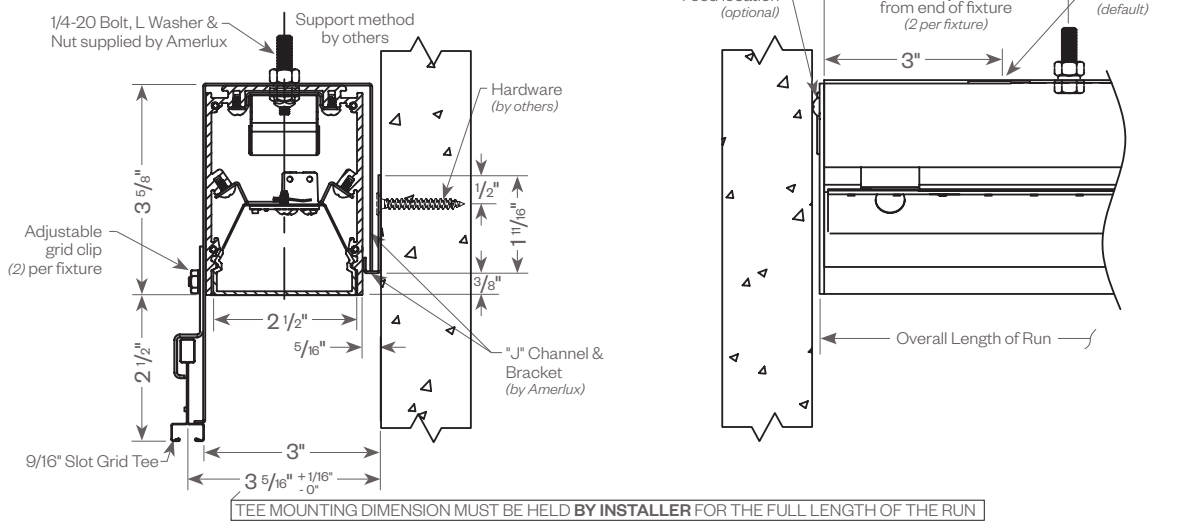
TYPE:

Product Details

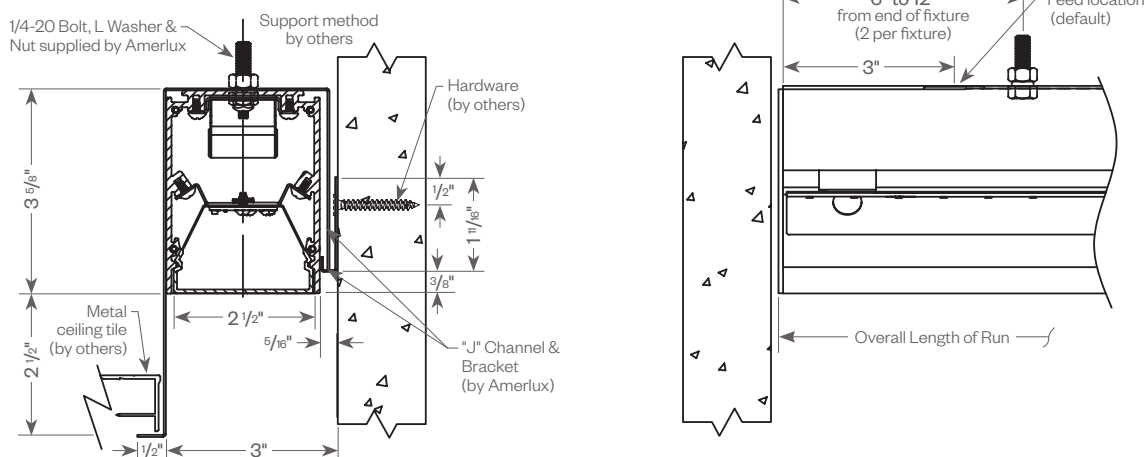
GRUV2.5-IS-J/GB-COVE (*j-mold/gyp board trimless*)



GRUV2.5-IS-J/GRID-COVE (*j-mold/grid mount*)



GRUV2.5-IS-J/FLG-COVE (*j-mold/flange*)



Grüv® 2.5" Perimeter Cove

Recessed Linear LED



PROJECT:

TYPE:

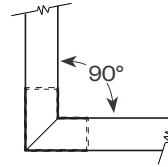
Grüv 2.5" Patterns

Standard Patterns

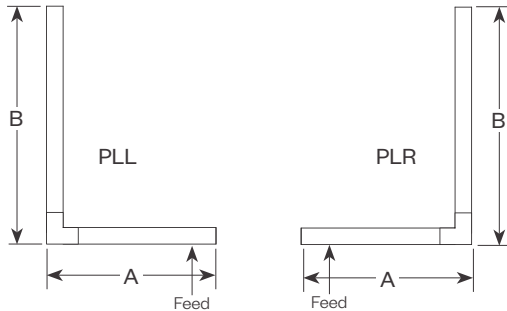
All corners are standard 90°, standard length legs.
 Use standard lengths: 4' min to 8' in 1 foot increments.
 Continuous runs must be the same length in pairs for closed configuration.

Custom Patterns

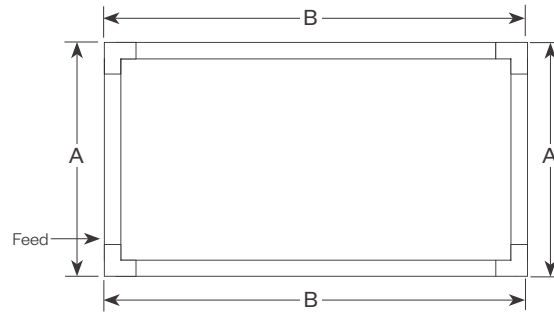
Please provide drawings of your configuration.
 Made to Measure: +/- 1/8", consult factory.
 PC - custom pattern, please provide drawings and consult factory



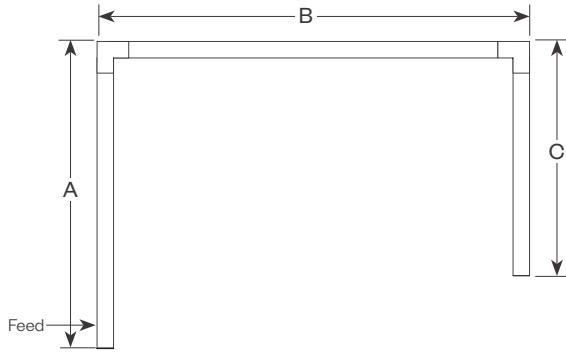
Grüv 2.5 Lens
Mitered Lens



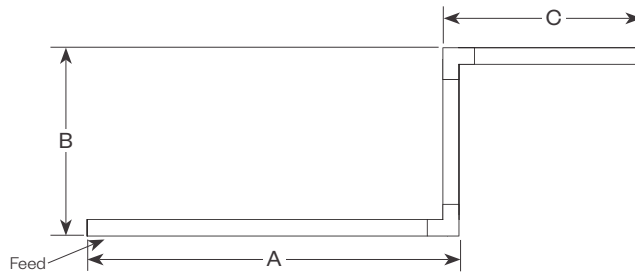
PLL - L Left, (2) straights + (1) 90° corner, leg right
PLR - L Right, (2) straights + (1) 90° corner, leg left
 Provide overall lengths: A' & B'
 Nomenclature: A-B-PLL A-B-PLR



PR - Closed Rectangle, (4) straight lengths + (4) 90° corners
 Provide overall lengths: A' & B'
 Nomenclature: A-B-PR



PU - Open U, (3) straight lengths + (2) 90° corners
 Provide overall lengths: A', B' & C'
 Nomenclature: A-B-C-PU



PZ - Open Z, (3) straight lengths + (2) 90° corners
 Provide overall lengths: A', B' & C'
 Nomenclature: A-B-C-PZ

Grüv[®] 2.5" Perimeter Cove

Recessed Linear LED



PROJECT:

TYPE:

Performance Data

Multiplying Factors: (Multiplying Factor is based on 3500K-83 120V IES file on website)

Wattage:	3W	4W	5W	6W	7W	8W	9W	10W
Factor:	0.31	0.42	0.53	0.63	0.72	0.81	0.90	1.0

CCT Factors:					TW9
CRI	2700K	3000K	3500K	4000K	(@3500K)
83	0.92	0.97	1.0	1.02	-
90	0.81	0.84	0.86	0.89	0.86

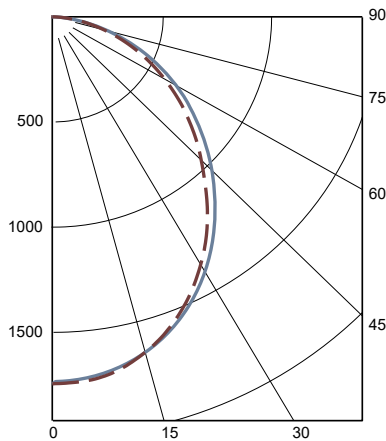
GRUV 2.5" DIRECT PERFORMANCE LENS 10W 3500K 4FT

Total Watts: 38

Total Lumens: 4374

Source: 128 White LED's

LTL# 14664757.09



ZONAL LUMEN SUMMARY

Zone	Lumens	%Fixt
0-40	2101	48.0
0-60	3534	80.8
0-90	4374	100.0
90-180	0	0.00

Efficacy = 115 lumens/Watt

COEFFICIENTS OF UTILIZATION

Effective Floor Cavity Reflectance 20%

RC	80			
RW	70	50	30	10
RCR				
0	119	119	119	119
1	109	104	100	97
2	100	91	85	79
3	91	81	73	66
4	83	72	63	57
5	77	64	56	49
6	71	58	49	43
7	66	53	44	38
8	62	48	40	34
9	58	44	36	31
10	54	41	33	28

Note: Values expressed as percent of total lumen output delivered to the task surface.

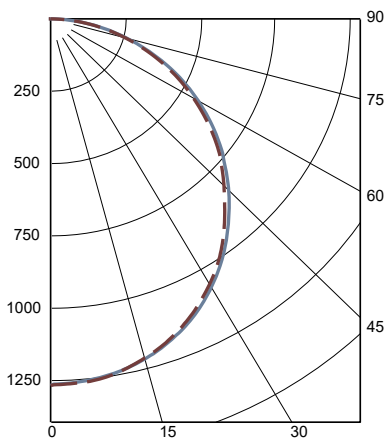
GRUV 2.5" DIRECT DESIGNER LENS 10W 3500K 4FT

Total Watts: 38

Total Lumens: 3658

Source: 128 White LED's

LTL# 14664757.10



ZONAL LUMEN SUMMARY

Zone	Lumens	%Fixt
0-40	1606	43.9
0-60	2832	77.4
0-90	3658	100.0
90-180	0	0.00

Efficacy = 96.3 lumens/Watt

COEFFICIENTS OF UTILIZATION

Effective Floor Cavity Reflectance 20%

RC	80			
RW	70	50	30	10
RCR				
0	119	119	119	119
1	108	103	99	95
2	98	90	83	77
3	90	79	70	64
4	82	70	61	54
5	75	62	53	46
6	69	56	47	40
7	64	51	42	36
8	60	46	38	32
9	56	42	34	29
10	53	39	31	26

Note: Values expressed as percent of total lumen output delivered to the task surface.

Grüv[®] 2.5" Perimeter Cove

Recessed Linear LED



PROJECT:

TYPE:

Performance Data (continued)

Multiplying Factors: (Multiplying Factor is based on 3500K-83 120V IES file on website)

Wattage:	3W	4W	5W	6W	7W	8W	9W	10W
Factor:	0.31	0.42	0.53	0.63	0.72	0.81	0.90	1.0

CCT Factors:					TW9
CRI	2700K	3000K	3500K	4000K	(@3500K)
83	0.92	0.97	1.0	1.02	-
90	0.81	0.84	0.86	0.89	0.86

Louver		
Finish:	SLV	BLK
Factor:	1.0	0.65

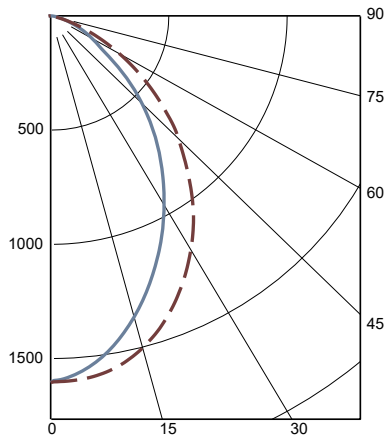
GRUV 2.5" DIRECT STRAIGHT BLADE LOUVER (SLV) 10W 3500K 4FT

Total Watts: 38

Total Lumens: 2694

Source: 128 White LED's

LTL# 14664757.11



ZONAL LUMEN SUMMARY

Zone	Lumens	%Fixt
0-40	1663	61.7
0-60	2469	91.7
0-90	2694	100.0
90-180	0	0.00

Efficacy = 70.9 lumens/Watt

COEFFICIENTS OF UTILIZATION

Effective Floor Cavity Reflectance 20%

RC	80			
RW	70	50	30	10
RCR				
0	119	119	119	119
1	111	107	104	101
2	103	96	91	86
3	96	87	80	75
4	89	79	71	65
5	82	71	64	58
6	77	65	57	52
7	72	60	52	47
8	67	55	48	42
9	63	51	44	39
10	59	47	40	35

Note: Values expressed as percent of total lumen output delivered to the task surface.

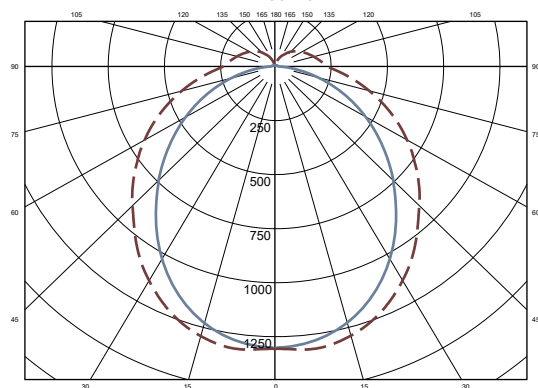
GRUV 2.5" DIRECT DROP LENS 10W 3500K 4FT

Total Watts: 38

Total Lumens: 4566

Source: 128 White LED's

LTL# 14664757.12



ZONAL LUMEN SUMMARY

Zone	Lumens	%Fixt
0-40	1661	36.4
0-60	2930	64.2
0-90	4038	88.4
90-180	528	11.6

Efficacy = 120.1 lumens/Watt

COEFFICIENTS OF UTILIZATION

Effective Floor Cavity Reflectance 20%

RC	80			
RW	70	50	30	10
RCR				
0	116	116	116	116
1	105	99	94	90
2	95	86	78	72
3	86	75	66	59
4	78	66	57	50
5	72	59	50	43
6	67	53	44	37
7	62	48	39	33
8	57	44	35	29
9	54	40	32	26
10	50	37	29	24

Note: Values expressed as percent of total lumen output delivered to the task surface.

Grüv[®] 2.5" Perimeter Cove

Recessed Linear LED



PROJECT:

TYPE:

Static White - Dimming Compatibility

Amerlux[®] Gruv fixtures are compatible with all major dimming protocols prevalent in the United States. Please see below for general compatibilities and wiring diagrams. Amerlux recommends testing your unique dimming configuration as the exact full configuration (*Dimmer, Fixture Quantity, Voltage, etc*) may affect dimming performance.

--- NOTE: INFORMATION BELOW IS FOR WIRED DIMMERS ONLY. FOR WIRELESS DIMMERS, CONSULT FACTORY ---

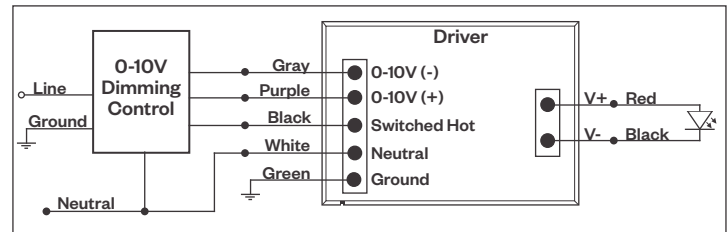
0-10V - DIMMING (Standard)

Integrates into a variety of building management and daylighting controls

Notes:

- 120V or 277V*
- Dims down to 1% light output
- Requires interface to turn off power to driver
- Consult Dimming manufacturer for installation instructions - **DO NOT SHARE NEUTRALS!**

0-10V Wiring Diagram



Compatible Dimmers*:

Wall Box			Central System
Lutron:	Wattstopper:	Leviton:	Lutron Grafikx Eye with GRX-TV1 Interface
Diva - DVSTV	ADF-120277	Renoir II	
Maestro - MS-Z101			
Nova-T - NTSTV-DV			

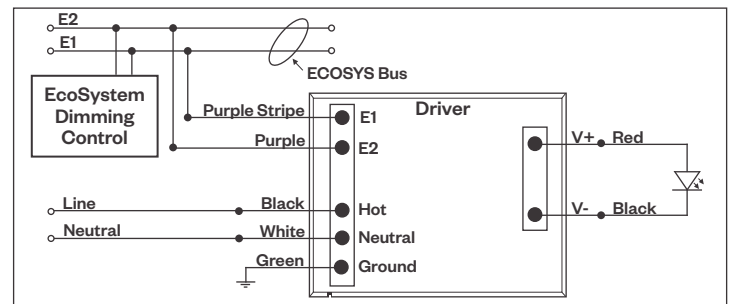
LUTRON LDE1 DIMMING

Integrates into Lutron EcoSystem building management

Notes:

- 120VAC or 277VAC*
- Dims down to 1% Soft-On/Fade-to-Black
- EcoSystem Control
- Consult Dimming manufacturer for installation instructions - **DO NOT SHARE NEUTRALS!**

LDE1 (HILUME-H-ECO) EcoSystem Digital Control Wiring Diagram



Compatible Dimmers*:

Lutron ECO System	Central System
Pow Pak Dimming Modules	Lutron EcoSystem compatible controls
Energi Savr Node	
Grafik Eye QS/Homeworks	
QS Control Unit	
Quantum Hub	
Homeworks QS/My Room	

Notes:

* Driver is 277VAC dimmable with appropriate dimmer (by others). All provided wiring diagrams show 120VAC wiring colors and method. Please refer to 277VAC dimmer installation instructions for 277VAC wiring diagrams.

† The absence of a dimmer from the lists above does not imply incompatibility. Please consult factory for compatibility inquiries.

Grüv[®] 2.5" Perimeter Cove

Recessed Linear LED



PROJECT:

TYPE:

Static White - Dimming Compatibility *(continued)*

Amerlux[®] Gruv fixtures are compatible with all major dimming protocols prevalent in the United States. Please see below for general compatibilities and wiring diagrams. Amerlux recommends testing your unique dimming configuration as the exact full configuration (*Dimmer, Fixture Quantity, Voltage, etc*) may affect dimming performance.

--- NOTE: INFORMATION BELOW IS FOR WIRED DIMMERS ONLY. FOR WIRELESS DIMMERS, CONSULT FACTORY ---

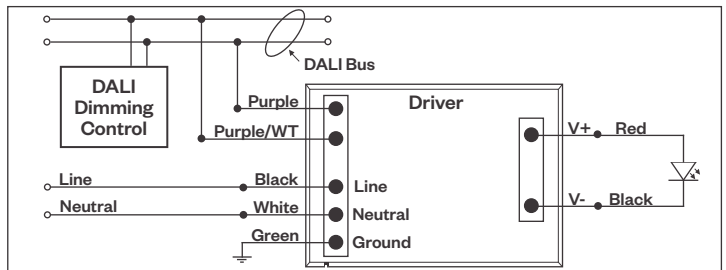
DALI - DALI DIMMING 120V-277V

Digital control protocol allows individual fixture control

Notes:

- 120VAC - 277VAC*
- Dims down to 1% light output in most cases

DALI Wiring Diagram



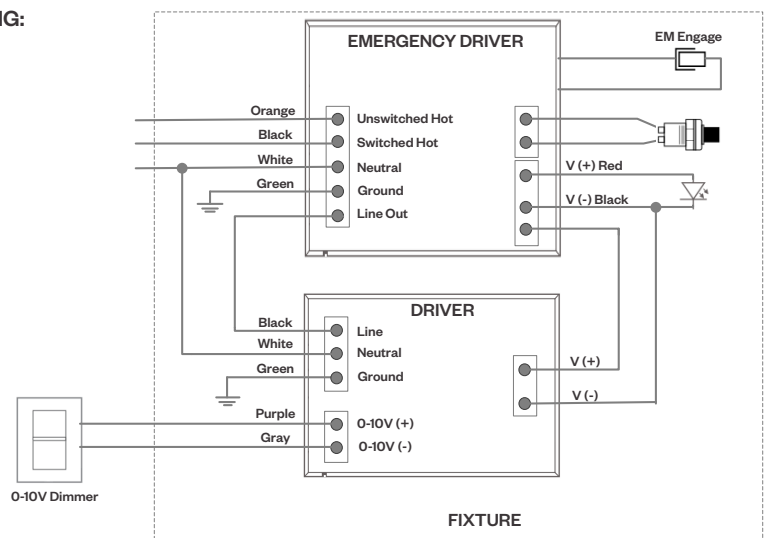
Compatible Dimmers*:

Wall Box	Central System
Leviton CD250 Controller	Dynalite
	Fifth Light

Emergency Fixture with Built-In Battery Pack

EMERGENCY FIXTURE WITH BUILT-IN BATTERY PACK (EMB) WIRING:

Note: EMB not available on lengths under 4'.



Notes:

* Driver is 277VAC dimmable with appropriate dimmer (*by others*). All provided wiring diagrams show 120VAC wiring colors and method. Please refer to 277VAC dimmer installation instructions for 277VAC wiring diagrams.

† The absence of a dimmer from the lists above does not imply incompatibility. Please consult factory for compatibility inquiries.

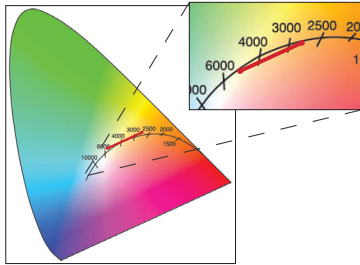
Grüv® 2.5" Perimeter Cove

Recessed Linear LED



PROJECT:	TYPE:
-----------------	--------------

Tunable White



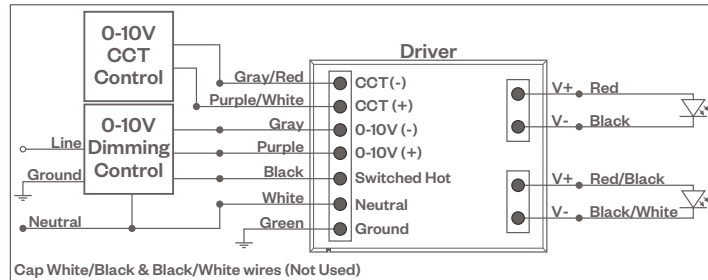
Tunable White range from 2700K-5700K, 90 CRI.
See wiring diagrams below.

Tunable White - Dimming Compatibility

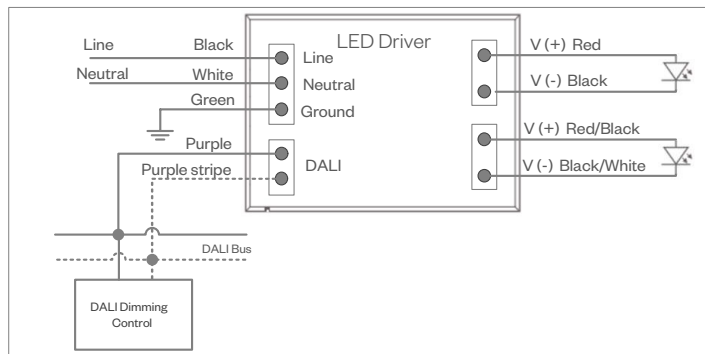
Amerlux® Gruv fixtures are compatible with all major dimming protocols prevalent in the United States. Please see below for general compatibilities and wiring diagrams. Amerlux recommends testing your unique dimming configuration as the exact full configuration (*Dimmer, Fixture Quantity, Voltage, etc*) may affect dimming performance.

--- NOTE: INFORMATION BELOW IS FOR WIRED DIMMERS ONLY. FOR WIRELESS DIMMERS, CONSULT FACTORY ---

0-10V Wiring Diagram



DALI DT8 Wiring Diagram



Notes:
 * Driver is 277VAC dimmable with appropriate dimmer (by others). All provided wiring diagrams show 120VAC wiring colors and method. Please refer to 277VAC dimmer installation instructions for 277VAC wiring diagrams.
 † The absence of a dimmer from the lists above does not imply incompatibility. Please consult factory for compatibility inquiries.