

MURRO LED WALL WASH

VERTICAL TRACK HEAD LED INTERNATIONAL

APPLICATION

Wall wash lighting for retail, commercial & hospitality environments

CONSTRUCTION:

Die-cast heatsink
Extruded driver enclosure
No exposed wiring
Powder coat paint

ELECTRICAL:

Electronic constant current LED driver, 240v input
ELV and Triac dimming standard

This product complies with IEEE C62.41 for surge endurance up to 2.5KV. Amerlux® recommends using additional surge protection with this unit (supplied by others), surge damage is not covered by warranty.

OPTICS:

0-180° tilt, 360° rotation
Wall wash beam spread
LED:
Color Temp Options: 2700K, 3000K, 3500K, 4000K
CRI: 83 typ. (2700K, 3000K, 3500K, 4000K)
90+ typ. (2700K, 3000K)
CrispWhite LED available
R9 Values: 11 (83CRI), 55 (90+CRI)
Binning: 3 MacAdam
Lumen Maintenance: >70% of initial lumens @ 50,000 hrs
Lumen Output: 19w 2114 lm, 111.3 lpw
31w 3203 lm, 102.7 lpw

MOUNTING:

Track mounting
- Not for use on vertically mounted track

LABELING:

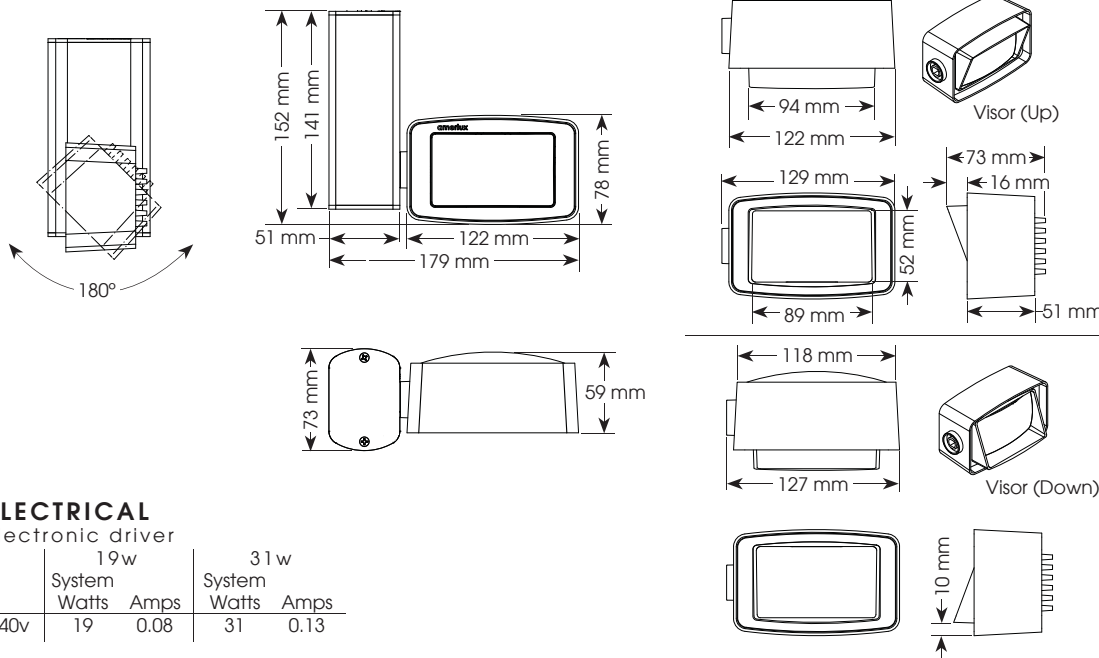
CE pending
Dry location

I-MURV
LED



PROJECT:

TYPE:



ELECTRICAL

Electronic driver

240v	19w		31w	
	System Watts	Amps	System Watts	Amps
	19	0.08	31	0.13



3 year limited warranty
AMERLUX INTERNATIONAL
(see website for details)

ORDERING INFORMATION:

Model	Wattage	Lamp Type	Finish	Mounting	Voltage	Beam Spread	Color Temp (CCT-CRI)	Listing Code	Options
I-MURV	19 31	LED	WT - white texture BT - black texture ST - silver texture - (other RAL)	GB67 - Global 1 cir GA100 - Global 3 cir	240	WW - wall wash	27 - 2700K-83 30 - 3000K-83 35 - 3500K-83 40 - 4000K-83 279 - 2700K-90+ 309 - 3000K-90+ CRISP - CrispWhite	CE	VISU - visor up VISD - visor down

Example: I-MURV-31-LED-WT-GB67-240-WW-30-CE

Cat #:

Amerlux reserves the right to change details that do not affect overall function and performance.



MURRO LED WALL WASH

VERTICAL TRACK HEAD LED INTERNATIONAL

I-MURV
LED



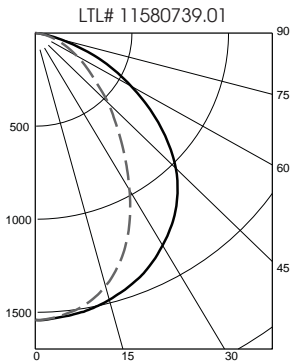
TYPE:



FIXTURE DATA: For 19w data, multiply by 0.66
 CCT Correction Factors: 2700-83 = 0.96; 3500-83 = 1.02; 4000-83 = 1.04
 2700-90+ = 0.80; 3000-90+ = 0.83; CRISP = 0.65

Complete photometric data (.ies format) available upon request.

MURRO LED WALL WASH 31W 3000K
 Source: 1 white LED array Lumens: 3,203
 Track Mounting



ZONAL LUMEN SUMMARY

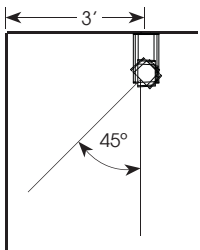
Zone	Lumens	%Fixt
0-40	1763	55.0
0-60	2768	86.4
0-90	3203	100.0
60-90	244	8.52
90-180	0	0.00

Efficacy (Lm/W = 102.7)

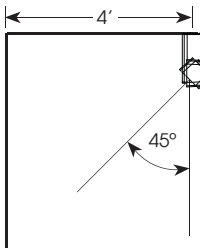
APPLICATION DATA:

Footcandles on Wall

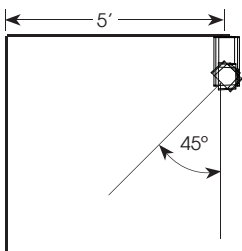
Footcandles are average and rounded off.
 Data for multiple units are based on a minimum of five units.



Distance from ceiling	0.5'	1.5'	2.5'	3.5'	4.5'	5.5'	6.5'	7.5'	8.5'
0.5'	93	94	72	54	53	70	93	94	
1.5'	117	119	93	72	71	91	117	118	
2.5'	92	93	80	68	67	79	92	92	
3.5'	63	63	58	54	54	58	63	63	
4.5'	43	43	42	40	40	42	42	42	
5.5'	30	30	30	29	29	30	30	30	
6.5'	23	23	22	22	22	22	22	22	
7.5'	18	18	18	17	17	17	17	17	
8.5'	14	14	14	14	14	14	14	14	



Distance from ceiling	0.5'	1.5'	2.5'	3.5'	4.5'	5.5'	6.5'	7.5'	8.5'
0.5'	51	51	43	34	29	29	34	43	51
1.5'	68	68	57	45	38	38	45	57	68
2.5'	64	64	56	47	41	41	47	56	64
3.5'	51	51	47	41	38	38	41	47	50
4.5'	38	38	36	34	32	32	33	36	38
5.5'	29	29	28	27	26	26	27	28	28
6.5'	22	22	22	21	21	21	21	22	22
7.5'	18	18	17	17	17	17	17	17	17
8.5'	15	15	15	14	14	14	14	14	14



Distance from ceiling	0.5'	1.5'	2.5'	3.5'	4.5'	5.5'	6.5'	7.5'	8.5'
0.5'	35	35	32	28	26	26	28	32	35
1.5'	46	46	42	37	34	34	37	42	46
2.5'	49	49	45	41	38	38	41	45	49
3.5'	44	44	42	39	37	37	39	42	44
4.5'	37	37	35	34	33	33	34	36	37
5.5'	30	30	30	30	28	28	29	30	30
6.5'	24	24	24	24	23	23	24	24	24
7.5'	20	20	20	20	20	20	20	20	20
8.5'	16	17	17	17	17	17	17	17	17