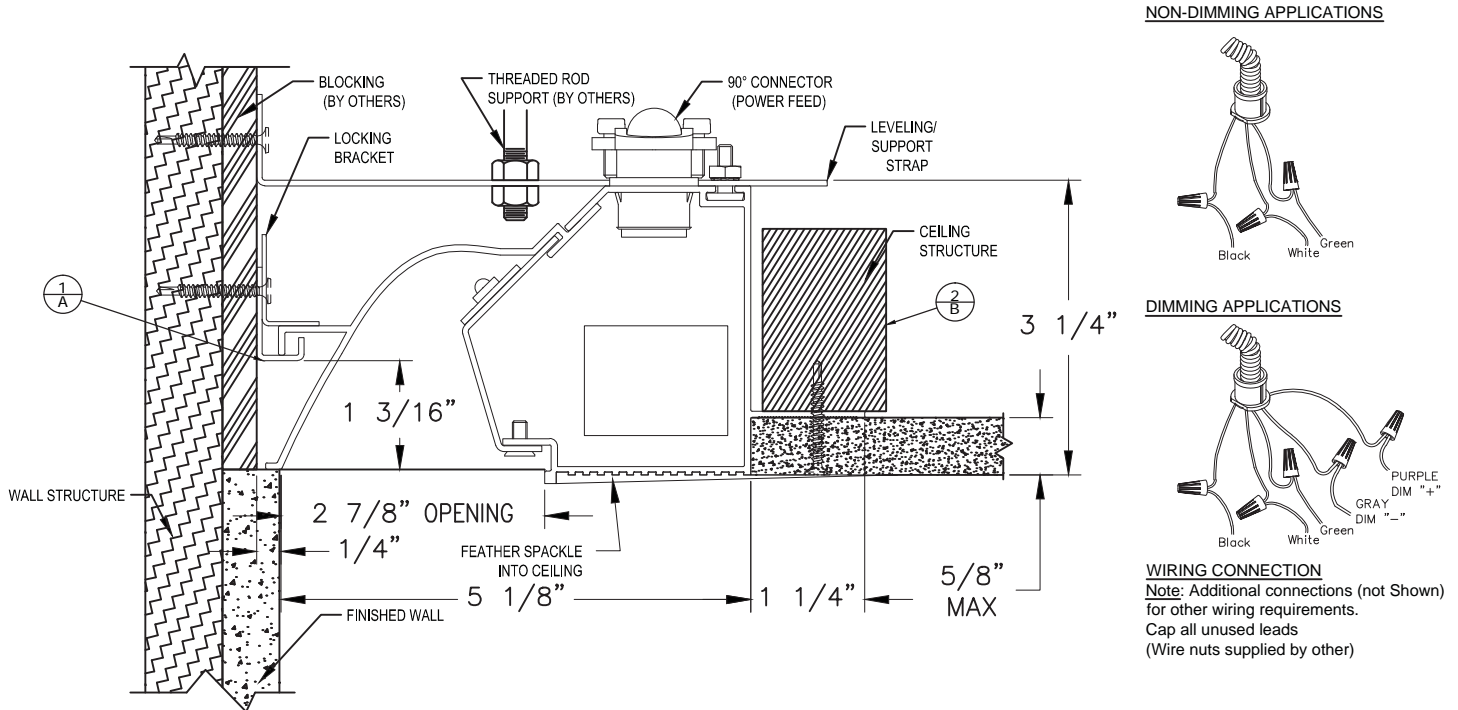




WARNING - RISK OF FIRE AND ELECTRICAL SHOCK. FIXTURE MUST BE INSTALLED BY A QUALIFIED ELECTRICIAN ONLY. FIXTURE IS INTENDED FOR INSTALLATION IN ACCORDANCE WITH THE NATIONAL ELECTRICAL CODE, LOCAL AND FEDERAL SPECIFICATIONS. DISCONNECT POWER AT ELECTRICAL PANEL BEFORE SERVICING. RETAIN THESE INSTRUCTIONS FOR MAINTENANCE REFERENCE.

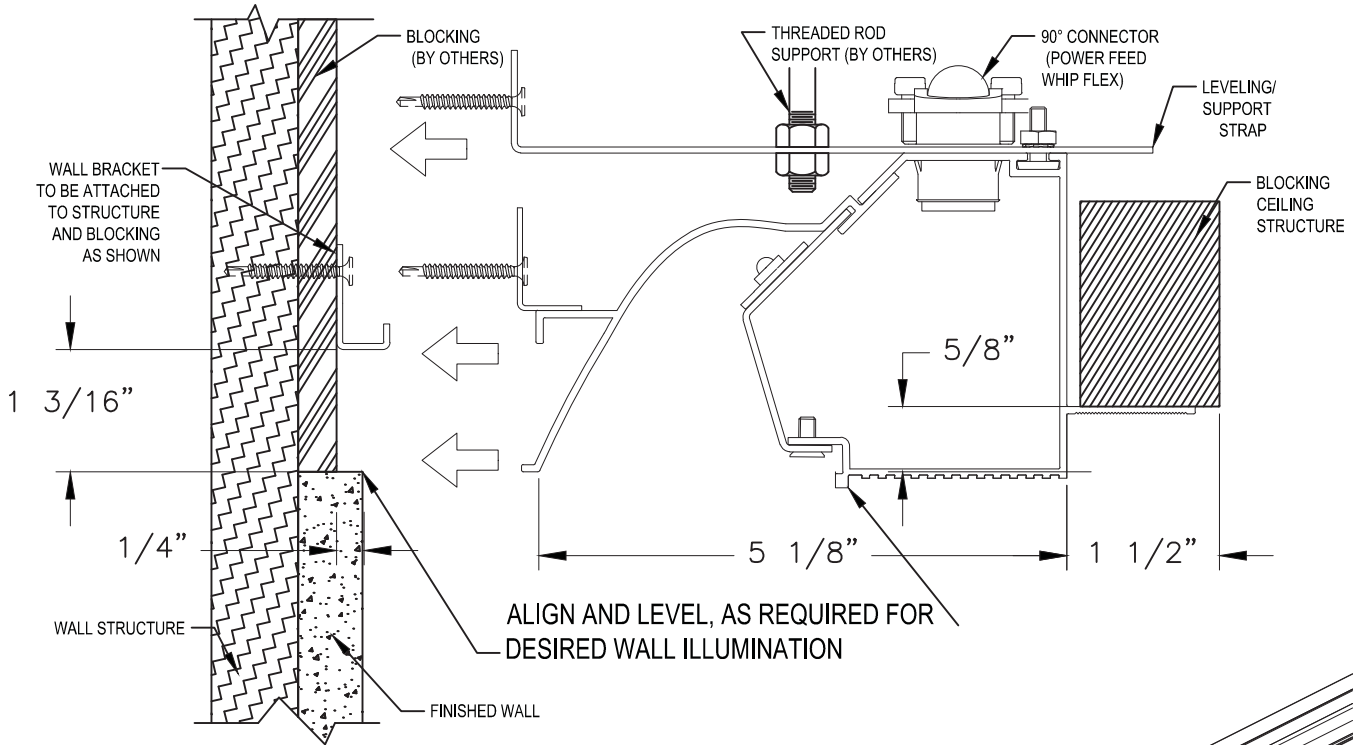
FIXTURE MUST BE INSTALLED BEFORE SHEETROCK



- 1.) INSTALL WALL BRACKETS (TYPICALLY) TO STRUCTURE AND BLOCKING AS SHOWN ABOVE. BOTTOM EDGE OF WALL BRACKET TO BE APPROX. 1 3/16" ABOVE FINISHED WALL. LEAVE 1/4" GAP AS SHOWN FROM BLOCKING TO FINISHED SURFACE OF WALL. ALIGN AND LEVEL ALL WALL BRACKETS, ACCORDINGLY.
- 2.) LOCATE FIXTURE MOUNTING FLANGE ONTO WALL BRACKETS, RAISE FIXTURE INTO PREPARED CEILING OPENING ENSURING ORIENTATION TOWARDS WALL TO BE ILLUMINATED AND ALIGNED OR CENTERED AS REQUIRED BY LIGHTING PLAN/DESIGN. SECURE LOCKING BRACKETS TO WALL BRACKETS AND LEVEL/SUPPORT BRACKETS TO BLOCKING AS SHOWN FIXTURE FLANGE ONTO THE WALL BRACKETS
- 3.) INSTALL THREADED ROD (BY OTHERS) AS SHOWN, TO LEVELING/SUPPORT BRACKETS. THREADED ROD TO BE SECURED TO STRUCTURE.
- 4.) INSTALL BLOCKING APPROX. 5 1/2" AWAY FROM FINISHED WALL TO SECURE FIXTURE FLANGE.
- 5.) FASTEN FIXTURE TO CEILING STRUCTURE USING #6 SELF-DRILLING CONSTRUCTION SCREWS (BY OTHERS).
- 6.) MAKE ELECTRICAL CONNECTIONS AS REQUIRED TO FIELD INSTALLED JUNCTION BOX (J-BOX SUPPLIED AND INSTALLED BY OTHERS), ABIDING BY LOCAL CODES AND ORDINANCES.
 3/8" X 6' WHIP FLEX IS PRE-ASSEMBLED AND WIRED TO FIXTURE.
- 7.) CRITICAL NOTE: ENSURE THAT FIXTURE IS LEVEL AND TRUE BY SHIMMING MOUNTING FLANGES AS REQUIRED, AND TEST BEAM/FIXTURE OPERATION ON WALL SURFACE FOR PROPER ILLUMINATION.**
- 8.) FOR CONTINUOUS ROWS FIXTURES, INSTALL BOR (BEGINNING OF ROW) FIXTURE, MOR (MIDDLE OF ROW) AND EOR (END OF ROW) USING JOINING BRACKET, CATCH / LATCHES (2X) FOR CONNECTING AND ALIGNING FIXTURE HOUSINGS AND REFLECTORS. MATE N LOCK WIRING HARNESS SUPPLIED FOR THRU-WIRING OF FIXTURES.
- 8.) CLOSE CEILING STRUCTURE WITH GYPBOARD.
- 9.) FEATHER SPACKLE PERIMETER OF FIXTURE.
- 10.) PROTECT EXPOSED REFLECTOR SURFACE FINISH DURING ALL INSTALLATION AND FINISHING STEPS.

WARNING - RISK OF FIRE AND ELECTRICAL SHOCK. FIXTURE MUST BE INSTALLED BY A QUALIFIED ELECTRICIAN ONLY. FIXTURE IS INTENDED FOR INSTALLATION IN ACCORDANCE WITH THE NATIONAL ELECTRICAL CODE, LOCAL AND FEDERAL SPECIFICATIONS. DISCONNECT POWER AT ELECTRICAL PANEL BEFORE SERVICING. RETAIN THESE INSTRUCTIONS FOR MAINTENANCE REFERENCE.

FIXTURE MUST BE INSTALLED BEFORE SHEETROCK



CONTINUOUS ROWS

QUICK CONNECT WIRE HARNESS

MOR/
EOR

LEVEL/
SUPPORT
STRAP

BOR

JOINER

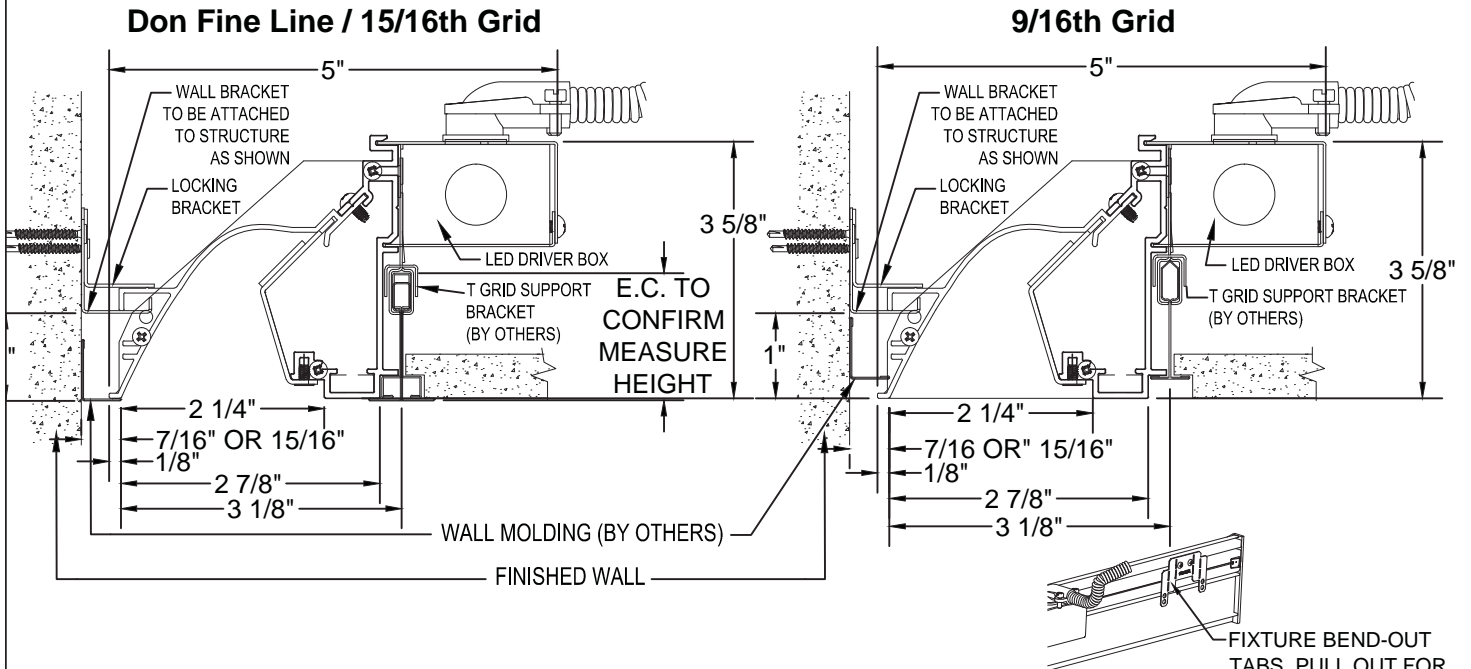
CATCH (2X)

LATCH (2X)

This product complies with IEEE C62.41 for surge endurance up to 2.5KV. Amerlux recommends using additional surge protection with this unit (supplied by others). Surge damage is not covered by warranty.

WARNING - RISK OF FIRE AND ELECTRICAL SHOCK. FIXTURE MUST BE INSTALLED BY A QUALIFIED ELECTRICIAN ONLY. FIXTURE IS INTENDED FOR INSTALLATION IN ACCORDANCE WITH THE NATIONAL ELECTRICAL CODE, LOCAL AND FEDERAL SPECIFICATIONS. DISCONNECT POWER AT ELECTRICAL PANEL BEFORE SERVICING. RETAIN THESE INSTRUCTIONS FOR MAINTENANCE REFERENCE.

FIXTURE MUST BE INSTALLED BEFORE SHEETROCK



- 1.) INSTALL WALL BRACKETS (TYPICALLY) TO STRUCTURE AND BLOCKING AS SHOWN ABOVE. BOTTOM EDGE OF WALL BRACKET TO BE APPROX. 1 3/16" ABOVE FINISHED WALL. LEAVE 1/4" GAP AS SHOWN FROM BLOCKING TO FINISHED SURFACE OF WALL. ALIGN AND LEVEL ALL WALL BRACKETS, ACCORDINGLY.
- 2.) LOCATE FIXTURE MOUNTING FLANGE ONTO WALL BRACKETS, RAISE FIXTURE INTO PREPARED CEILING GRID OPENING ENSURING ORIENTATION TOWARDS WALL TO BE ILLUMINATED AND ALIGNED OR CENTERED AS REQUIRED BY LIGHTING PLAN/DESIGN. SECURE LOCKING BRACKETS TO WALL BRACKETS AND LEVEL/SUPPORT BRACKETS TO BLOCKING AS SHOWN FIXTURE FLANGE ONTO THE WALL BRACKETS
- 3.) INSTALL FIXTURE INTO CEILING GRID, MAKING SURE FIXTURE FLANGE RESTS ON CEILING GRID AND BEND-OUT TABS ARE THEN PRESSED SECURELY AGAINST CEILING GRID. FASTEN FIXTURE TO CEILING GRID USING APPROPRIATE T-GRID TAB (SCREW LOCATIONS PROVIDED FOR FASTENING). WALL MOLDINGS TO BE SUPPLIED & INSTALLED BY OTHERS.
- 4.) MAKE ELECTRICAL CONNECTIONS AS REQUIRED TO FIELD INSTALLED JUNCTION BOX (J-BOX SUPPLIED AND INSTALLED BY OTHERS), ABIDING BY LOCAL CODES AND ORDINANCES.
3/8" X 6' WHIP FLEX IS PRE-ASSEMBLED AND WIRED TO FIXTURE.
- 5.) CRITICAL NOTE: ENSURE THAT FIXTURE IS LEVEL AND TRUE AS REQUIRED, AND TEST BEAM/FIXTURE OPERATION ON WALL SURFACE FOR PROPER ILLUMINATION.**
- 6.) CLOSE CEILING STRUCTURE WITH GRID PANELS.

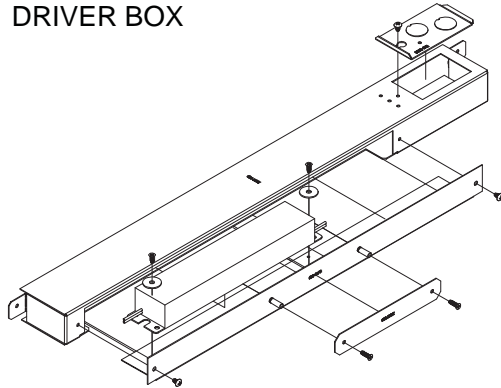
This product complies with IEEE C62.41 for surge endurance up to 2.5KV. Amerlux recommends using additional surge protection with this unit (supplied by others). Surge damage is not covered by warranty.

WARNING - RISK OF FIRE AND ELECTRICAL SHOCK. FIXTURE MUST BE INSTALLED BY A QUALIFIED ELECTRICIAN ONLY. FIXTURE IS INTENDED FOR INSTALLATION IN ACCORDANCE WITH THE NATIONAL ELECTRICAL CODE, LOCAL AND FEDERAL SPECIFICATIONS. DISCONNECT POWER AT ELECTRICAL PANEL BEFORE SERVICING.

RETAIN THESE INSTRUCTIONS FOR MAINTENANCE REFERENCE.

FIXTURE MUST BE INSTALLED BEFORE SHEETROCK

DRIVER BOX

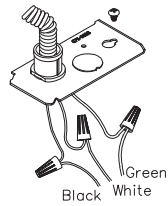


ACCESS PLATE

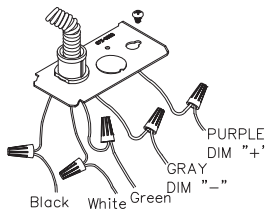
DRIVER BOX (ATTACHED TO FIXTURE, NOT SHOWN)

DRIVER DRAWER

NON-DIMMING APPLICATION



DIMMING APPLICATION



WIRING CONNECTION
Note: Additional connections (not shown) for other wiring requirements. Cap all unused leads (Wire nuts supplied by other)

CONTINUOUS ROWS

QUICK CONNECT WIRE HARNESS

MOR/EOR

PINS (3X)

BOR

JOINER

LATCH

LATCH

This product complies with IEEE C62.41 for surge endurance up to 2.5KV. Amerlux recommends using additional surge protection with this unit (supplied by others). Surge damage is not covered by warranty.