

INSTRUCTION SHEET



E4.75SD/SLW-G2 11/18/30watt LED, FRAME AND OPTIC HEAD INSTALLATION

689-0374

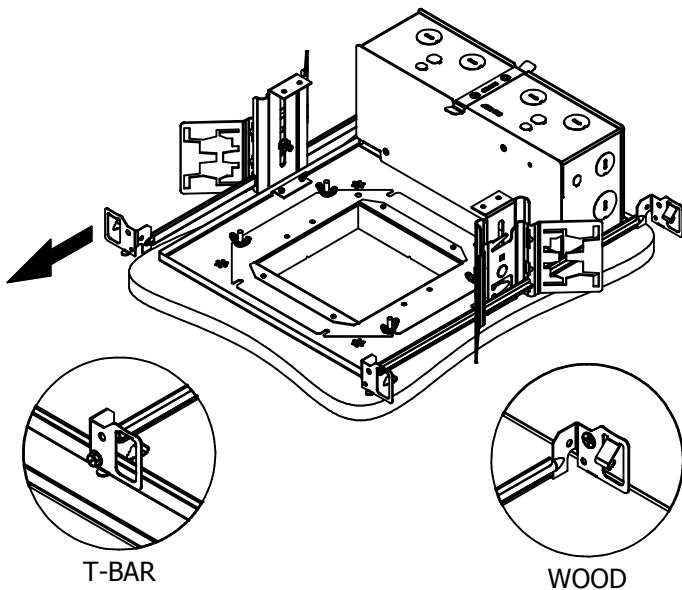
PAGE 1 OF 2

WARNING - RISK OF FIRE AND ELECTRICAL SHOCK. FIXTURE MUST BE INSTALLED BY A QUALIFIED ELECTRICIAN ONLY. FIXTURE IS INTENDED FOR INSTALLATION IN ACCORDANCE WITH THE NATIONAL ELECTRICAL CODE, LOCAL AND FEDERAL SPECIFICATIONS. DISCONNECT POWER AT ELECTRICAL PANEL BEFORE SERVICING.

RETAIN THESE INSTRUCTIONS FOR MAINTENANCE REFERENCE.

1 MOUNT FRAME

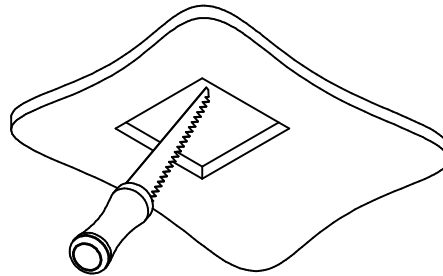
SPREAD HANGER BARS AND MOUNT, WITH HARDWARE BY OTHERS, TO T-BAR OR WOOD. MAKE ELECTRICAL CONNECTION TO JUNCTION BOX.



T-BAR

WOOD

2a CUT HOLE IN CEILING

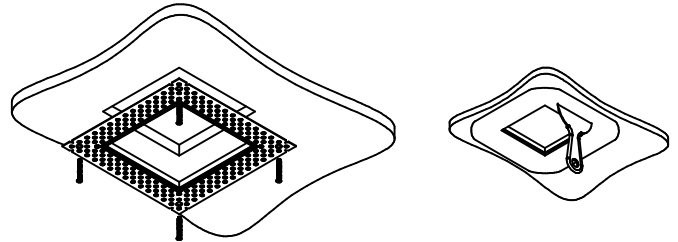


STANDARD:
5 1/8 x 5 1/8 in.

TRIMLESS:
5 7/8 x 5 7/8 in.

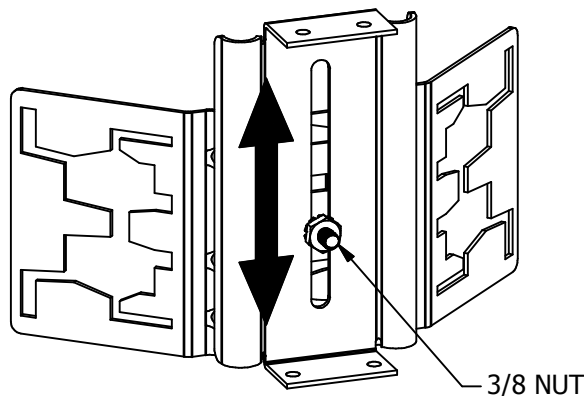
2b INSTALL MUD RING (TRIMLESS ONLY)

ATTACH MUD RING TO CEILING WITH SCREWS, THEN COVER WITH A THIN LAYER OF FINISH PLASTER



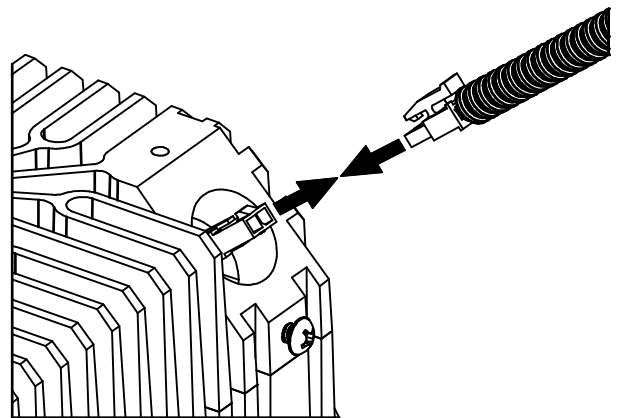
3 VERTICAL FRAME ADJUSTMENT

LOOSEN 3/8 in. NUT, ADJUST FRAME SO APERTURE RING BOTTOM IS FLUSH TO CEILING BOTTOM, THEN TIGHTEN 3/8 in. NUT.



3/8 NUT

4 MAKE ELECTRICAL CONNECTION



Amerlux, 178 Bauer Drive, Oakland, N.J. 07436, T: 973-882-5010, F: 973-882-2604 www.amerlux.com

INSTRUCTION SHEET



E4.75SD/SLW-G2 11/18/30watt LED, OPTIC HEAD INSTALLATION AND MAINTENANCE

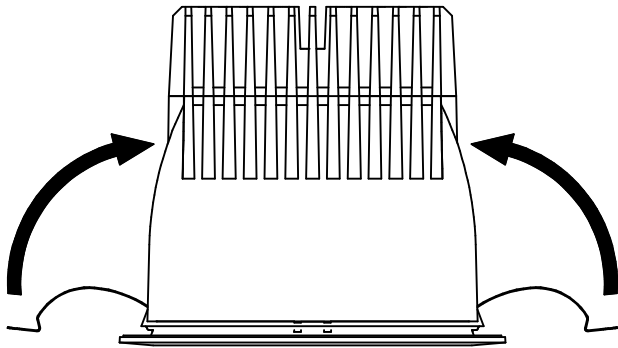
689-0374

PAGE 2 OF 2

WARNING - RISK OF FIRE AND ELECTRICAL SHOCK. FIXTURE MUST BE INSTALLED BY A QUALIFIED ELECTRICIAN ONLY. FIXTURE IS INTENDED FOR INSTALLATION IN ACCORDANCE WITH THE NATIONAL ELECTRICAL CODE, LOCAL AND FEDERAL SPECIFICATIONS. DISCONNECT POWER AT ELECTRICAL PANEL BEFORE SERVICING.

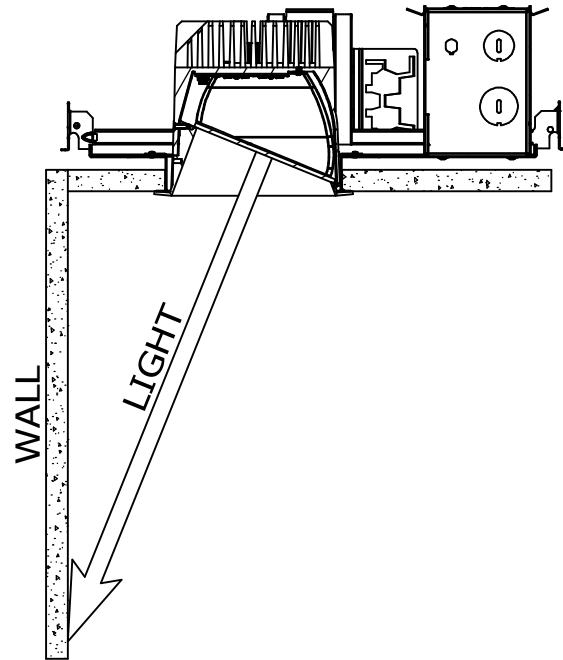
RETAIN THESE INSTRUCTIONS FOR MAINTENANCE REFERENCE.

5 COMPRESS SPRING CLIPS

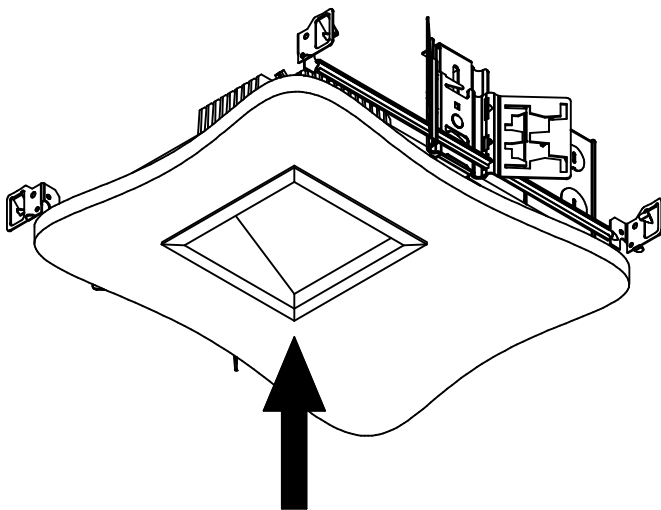


NOTE: WALL WASH OPTIC HEAD SHOWN.
FOR SQUARE OMIT STEP 6.

6 ORIENT WALL WASH

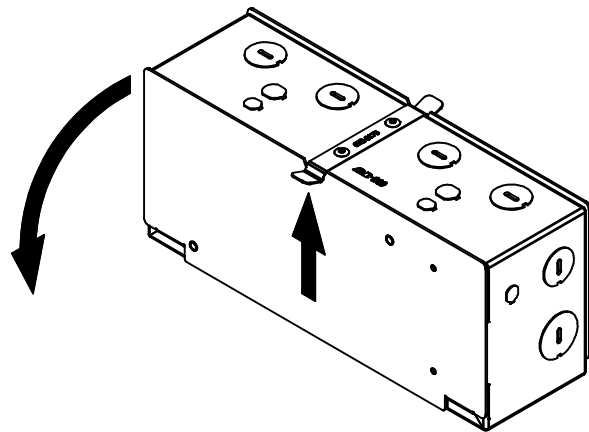


7 INSERT TRIM



DRIVER BOX MAINTENANCE

REMOVE OPTIC HEAD.
PUSH UP ON CLIP THEN OPEN DOOR



Amerlux, 178 Bauer Drive, Oakland, N.J. 07436, T: 973-882-5010, F: 973-882-2604 www.amerlux.com