



AMERLUX[®]
LIGHTING SOLUTIONS

ADAPT. ABILITY.™

INSTALLATION INSTRUCTIONS

SHEET #: 689-0383 SHEET 1 OF 6

SPEC. SHEET
REFERENCE:

LIN3.5D LED (SHEETS 1-4) LS35D T5/T5HO (SHEETS 5-6)

CABLE MOUNTED FOR INDIVIDUAL FIXTURES OR CONTINUOUSLY ROW MOUNTED

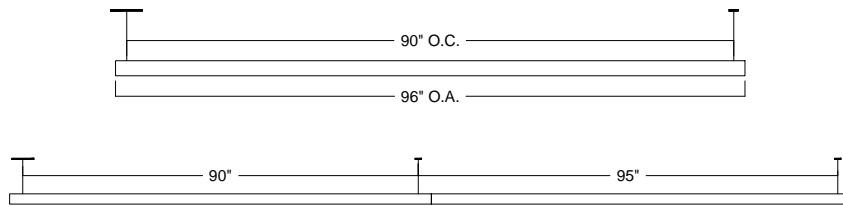
WARNING - RISK OF FIRE AND ELECTRICAL SHOCK. FIXTURE MUST BE INSTALLED BY A QUALIFIED ELECTRICIAN ONLY. FIXTURE IS INTENDED FOR INSTALLATION IN ACCORDANCE WITH THE NATIONAL ELECTRICAL CODE, LOCAL AND FEDERAL SPECIFICATIONS. DISCONNECT POWER AT ELECTRICAL PANEL BEFORE SERVICING .
RETAIN THESE INSTRUCTIONS FOR MAINTENANCE REFERENCE.

Pre-installation Note:

Supplied by others: - 4" octagonal junction boxes

Supplied by Amerlux: - canopies
- suspension cable

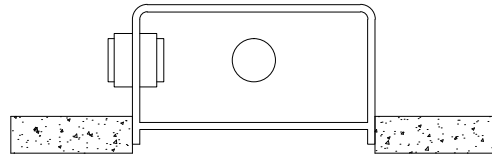
Suspension points for fixtures are:



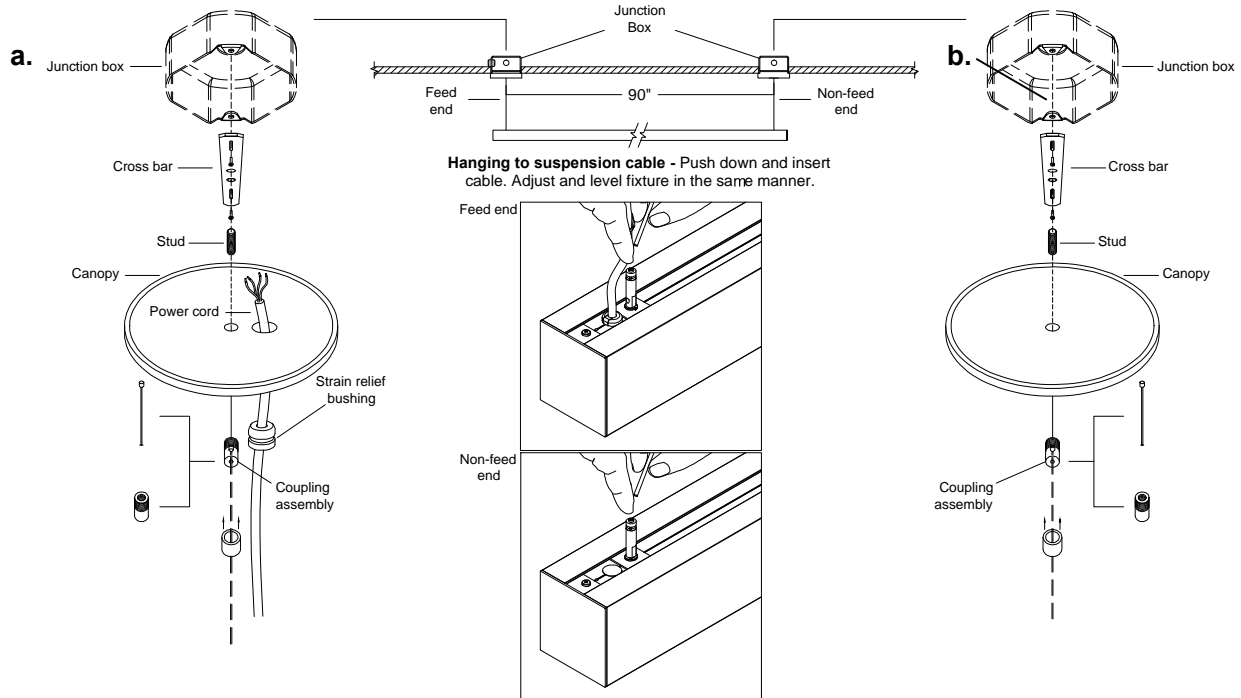
Example of continuous rows

Refer to general contractor/ electrician layout for proper location of mounting points/ locations for junction boxes.

1. Install junction box(es) - The junction box should be placed as shown to make sure that the canopy cover sits flush with the ceiling when install is finished.



2. Individual and Beginning of Run Install -





3. Middle of Run/End of Run install - After the BOR has been installed:

a.

b.

Hang to suspension cable - Push down and insert cable. Adjust and level fixture in the same manner.

Connect power harness - After hanging fixture as shown above at the end specified in layout. Bring up the other end and **make the electrical connection** by joining male and female power supply connector harness.

c. Join Fixtures Together - Use the aligning pins to engage and secure with Catch/Latch

d. Install light leak shield (rows only):

INSTRUCTIONS:

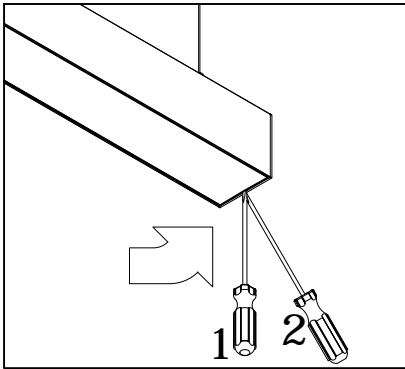
- 1- Peel-off protective film.
- 2- Bring light leak protector to housing seam (long side is vertical).
- 3- Attach protector to direct lamp seam from inside housing, mylar silver side down. Start applying from bottom, working up. Try to keep seam on the protector center line.
- 4- Repeat procedure for other side direct seam.

Light Leak Protector
AMX P/N 637-0114

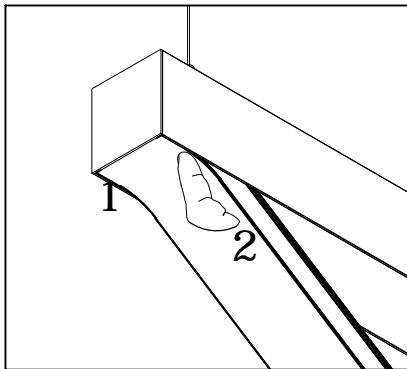
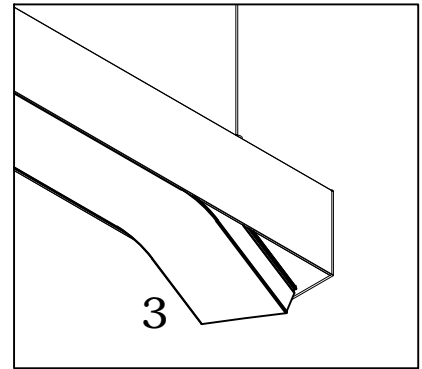
Install Light Leak Protector at each fixture joint, AMX P/N 637-0114, (2) matte white/mylar silver patches per bagged kit, (1) bagged kit per fixture joint.



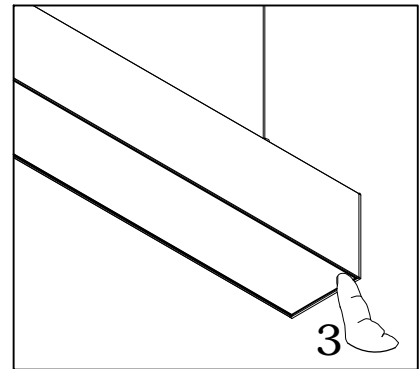
4. Removing/Installing the Lens



- Removing**
- 1: Insert flathead screwdriver between lens and fixture.
 - 2: Pry out lens edge with Screwdriver.
 - 3: Grab lens by the edge and "peel" lens out of fixture.

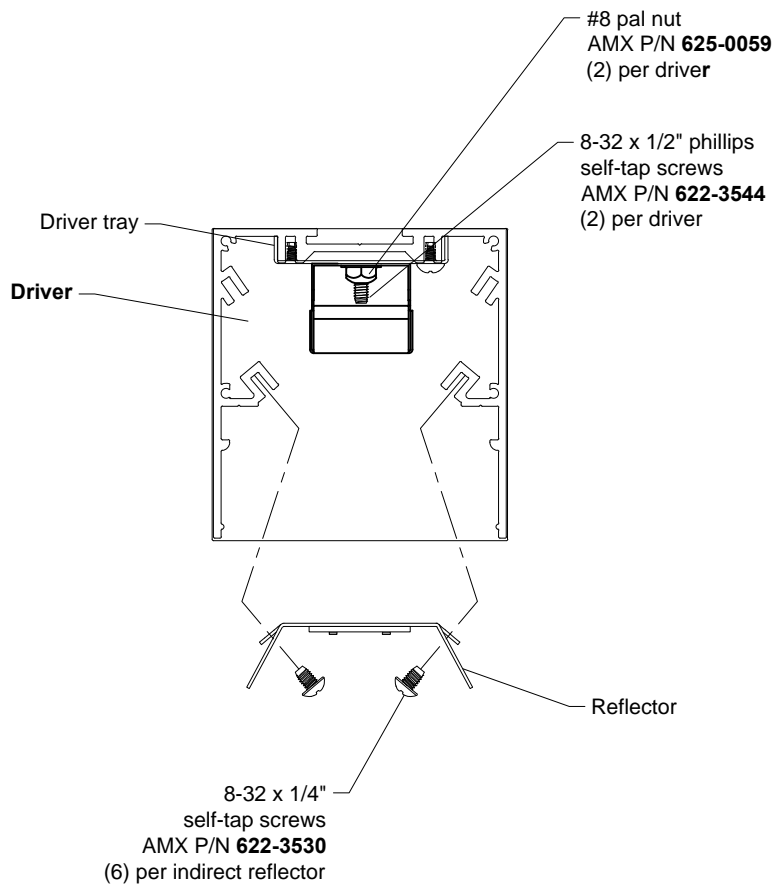


- Installing**
- 1: Insert Lens on one end.
 - 2: Smooth lens in along fixture length with fingers.
 - 3: Exert pressure until lens "clicks" in. Slide fingers down fixture until whole lens has "clicked" in.





5. Reflector removal (only required to access driver)



WARNING: Electrostatic and polarity sensitive device. Use caution while handling and wiring.

1.) LED Fixture:

Consult Amerlux for LED maintenance.

2.) LED Replacement:

For LED board replacement reference 689-0394 Instruction Sheet.

3.) Driver maintenance:

Drivers are located on tray beneath reflectors, (1) driver per tray, secured by (2) 8-32 screws & (2) #8 pal nuts. Remove the reflector mounting screws to access. For driver replacement please specify: **Manufacturer, Model No.** and **Current Setting** (mA). See 710-0134 Wiring Schematic for more details.

MAKE SURE TO DISCONNECT ALL ELECTRICAL CONNECTIONS BEFORE MAINTENANCE

Amerlux, LLC. - 178 Bauer Drive, Oakland NJ 07436 - T: 973-882-5010 - F: 973-882-2605
www.amerlux.com



LS35D T5, LS35D T5 HIGH OUTPUT

CABLE MOUNTED FOR INDIVIDUAL FIXTURES OR CONTINUOUSLY ROW MOUNTED

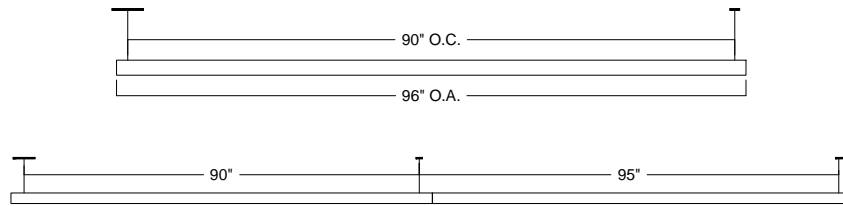
WARNING - RISK OF FIRE AND ELECTRICAL SHOCK. FIXTURE MUST BE INSTALLED BY A QUALIFIED ELECTRICIAN ONLY. FIXTURE IS INTENDED FOR INSTALLATION IN ACCORDANCE WITH THE NATIONAL ELECTRICAL CODE, LOCAL AND FEDERAL SPECIFICATIONS. DISCONNECT POWER AT ELECTRICAL PANEL BEFORE SERVICING .
RETAIN THESE INSTRUCTIONS FOR MAINTENANCE REFERENCE.

Pre-installation Note:

Supplied by others: - 4" octagonal junction boxes
- fluorescent lamps

Supplied by Amerlux: - canopies
- suspension cable

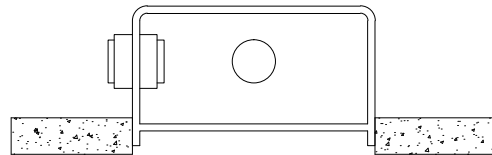
Suspension points for fixtures are:



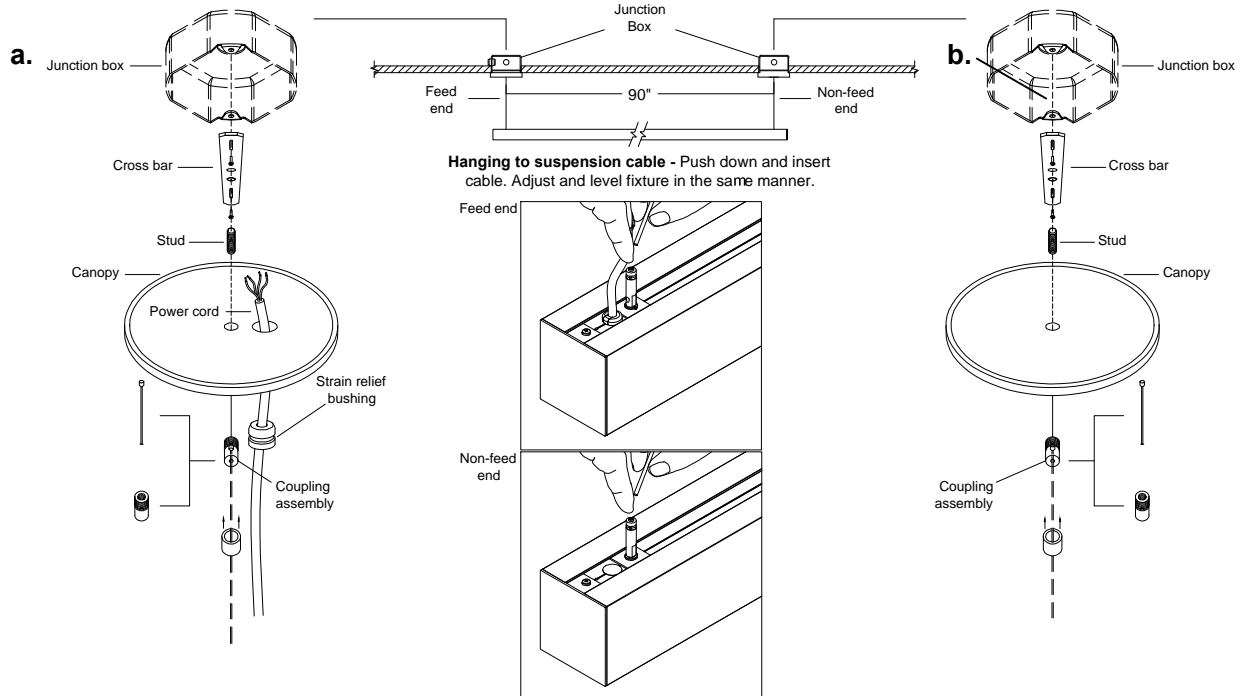
Example of continuous rows

Refer to general contractor/ electrician layout for proper location of mounting points/ locations for junction boxes.

1. Install junction box(es) - The junction box should be placed as shown to make sure that the canopy cover sits flush with the ceiling when install is finished.

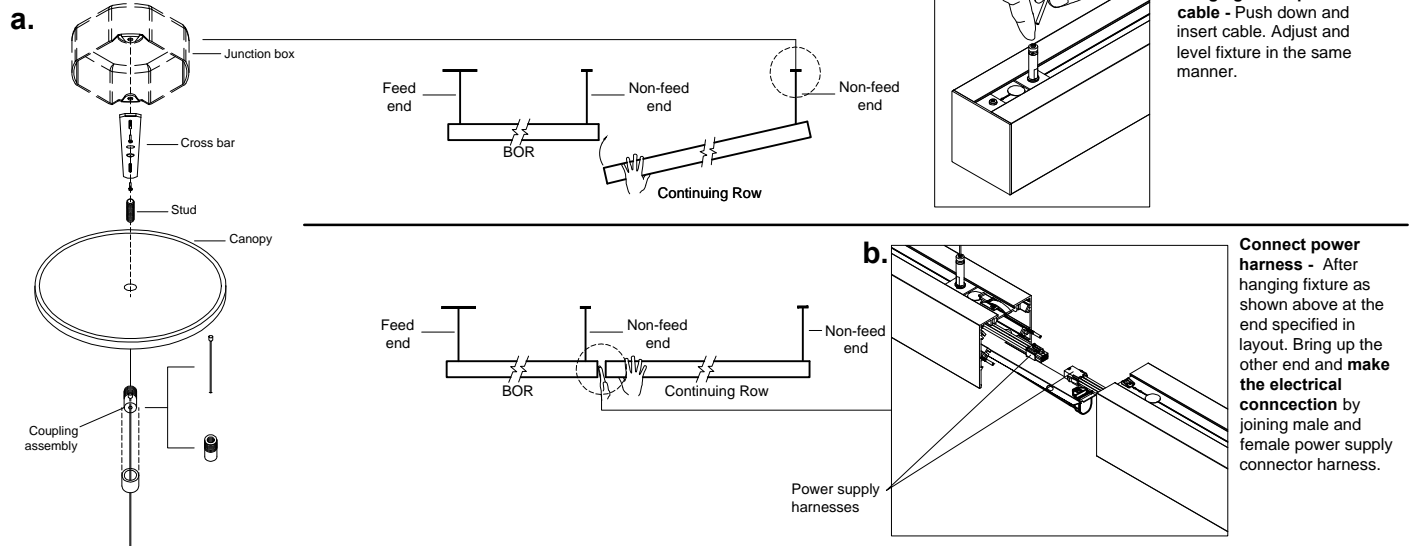


2. Individual and Beginning of Run Install -

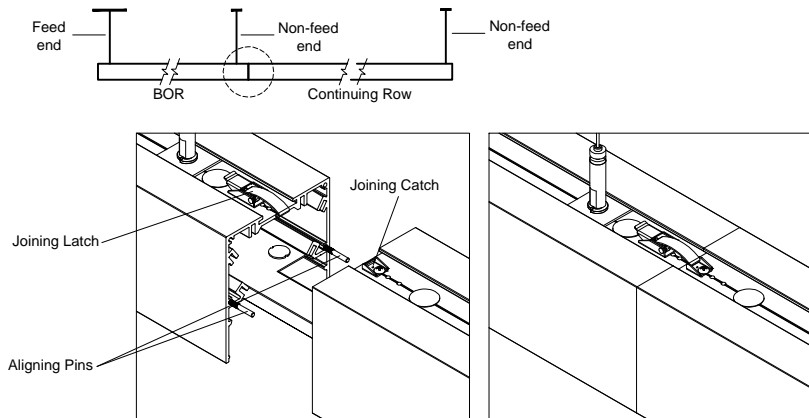




3. Middle of Run/End of Run install - After the BOR has been installed:

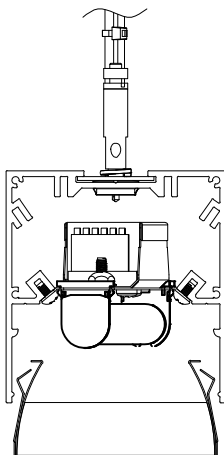


c. Join Fixtures Together - Use the aligning pins to engage and secure with Catch/Latch



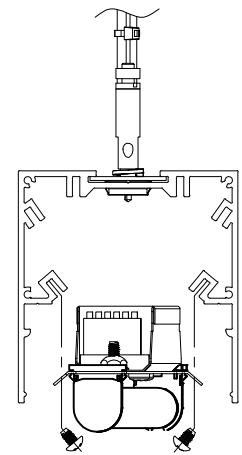
FOR LENS INSTALLATION & REMOVAL SEE SHEET 3.

RELAMPING / MAINTENANCE



Remove louver OR lens for relamping.

To access ballast for maintenance:
Remove screws securing tray.
Remove Tray
Disconnect Ballast from power harness



When Finished, Reassemble.

- 1. Install correct lamps.** See relamping label on reflector for the correct wattage.
- 2. Ballast maintenance.** Ballasts are located beneath the reflector. Remove the screws, near the sockets, on both ends of the fixture to access.

MAKE SURE TO DISCONNECT ALL ELECTRICAL CONNECTIONS BEFORE RELAMPING .