

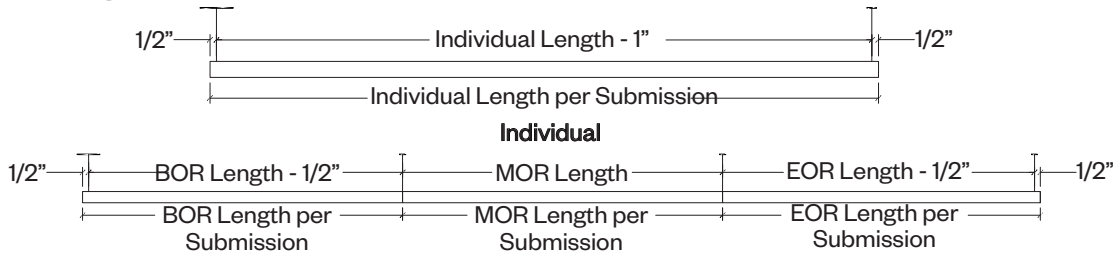
WARNING: RISK OF FIRE AND ELECTRICAL SHOCK. FIXTURE MUST BE INSTALLED BY A QUALIFIED ELECTRICIAN ONLY. FIXTURE IS INTENDED FOR INSTALLATION IN ACCORDANCE WITH THE NATIONAL ELECTRICAL CODE, LOCAL AND FEDERAL SPECIFICATIONS. DISCONNECT POWER AT ELECTRICAL PANEL BEFORE SERVICING.

RETAIN THESE INSTRUCTIONS FOR MAINTENANCE REFERENCE.

Pre-installation Note:

- Supplied by others: 4" octagonal junction boxes
- Supplied by Amerlux: canopies, suspension cables

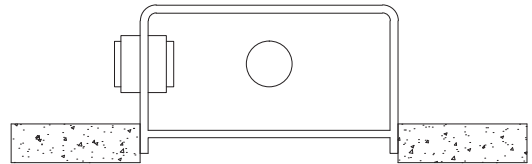
Suspension points:



Example of Continuous Row

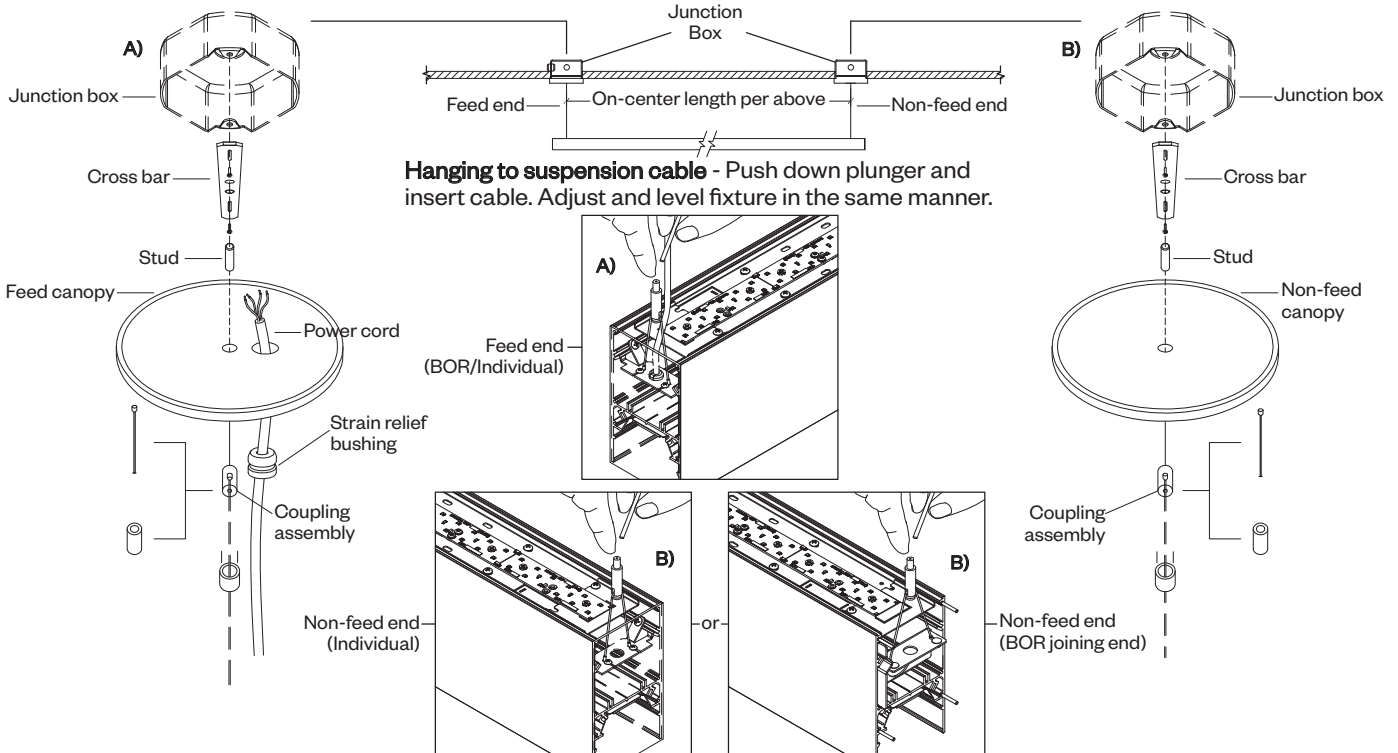
Refer to general contractor/electrician layout for proper location of mounting points/locations for junction boxes.

1. Install junction box(es) - The junction box should be regressed as shown to make sure that the canopy cover sits flush with the ceiling when install is finished.

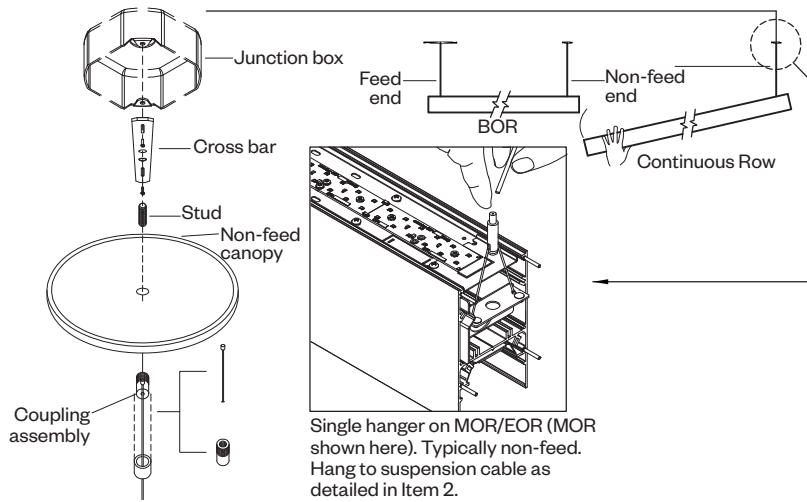


2. Individual and Beginning of Run (BOR) Install:

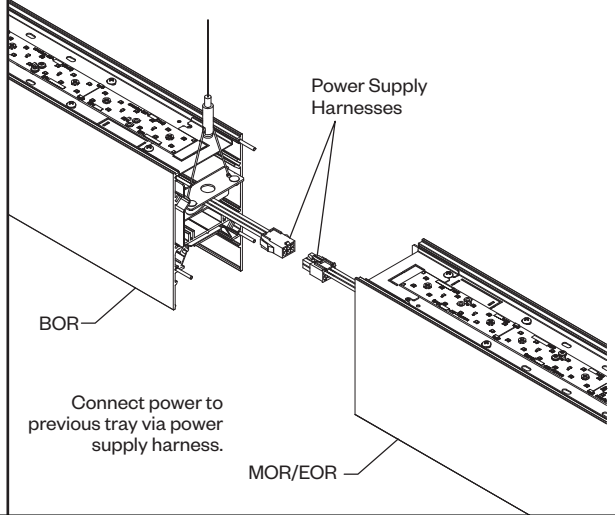
LED



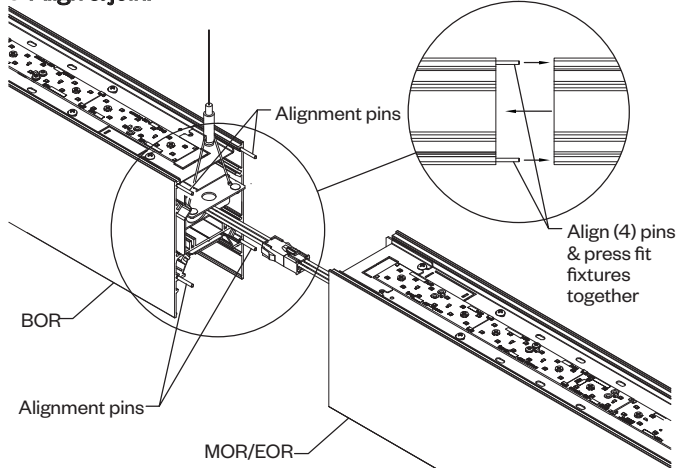
3. Hang MOR/EOR:



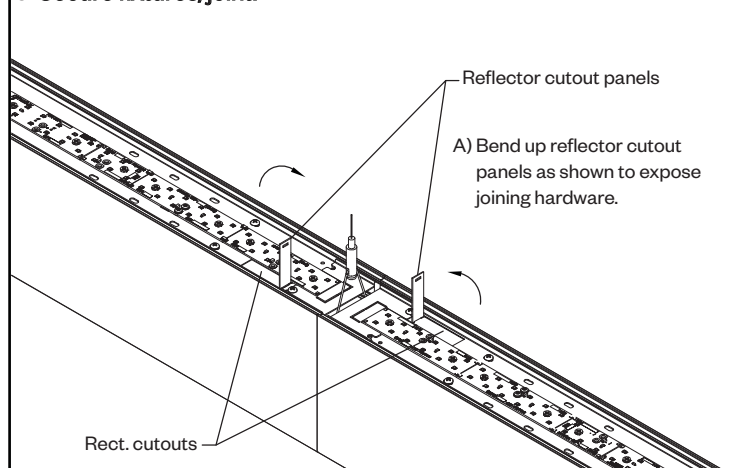
4. Connect Power:



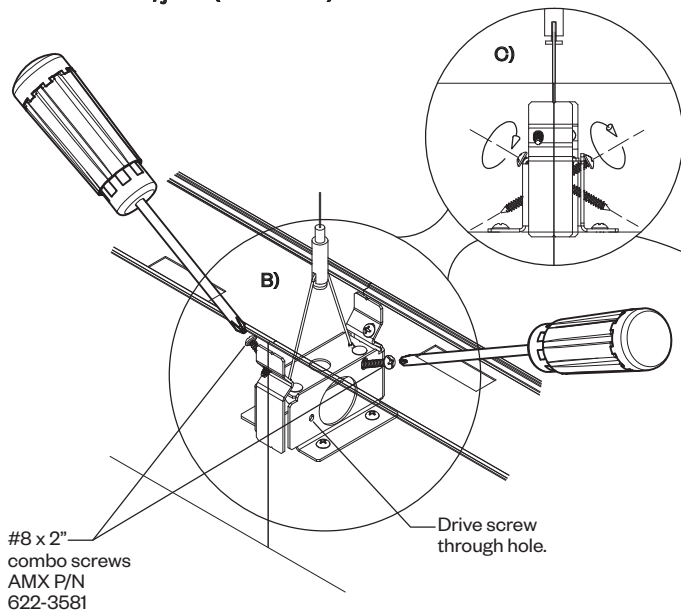
5. Align & join:



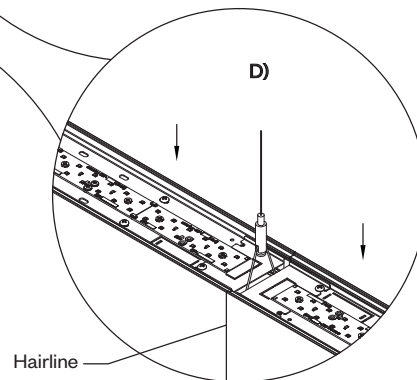
6. Secure fixtures/joint:



6. Secure fixtures/joint (continued):

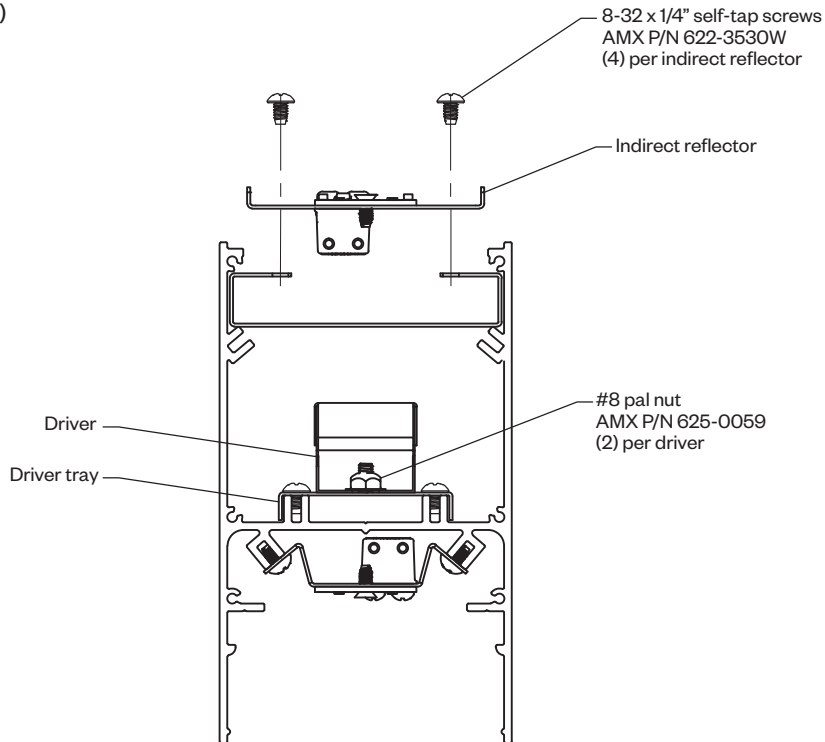


- B) Through rect. cutouts in reflectors, locate (2) #8x2" combo screws installed loosely in joining brackets.
- C) Drive (1) combo screw diagonally downward into hole in opposite hanger bracket without tightening. Drive second screw diagonally downward into hole in opposite hanger bracket without tightening. Tighten both screws fully in turn to pull together & secure fixtures.
- D) Rebend down reflector cutout panels



REPEAT STEPS 3-6 FOR EACH FIXTURE IN ROW

7. Reflector Removal:
(only required to access driver)



WARNING: Electrostatic and polarity sensitive device. Use caution while handling and wiring.

1.) LED Fixture:

Consult Amerlux for LED maintenance.

2.) LED Replacement:

For LED board replacement reference 689-0394 Instruction Sheet.

3.) Driver maintenance:

Drivers are located on tray beneath indirect reflectors, (1) driver per tray, secured by (2) #8 pal nuts.

Remove the reflector mounting screws to access. For programmable driver replacement please specify:

Manufacturer, Model No. and **Current Setting** (____ mA). For drivers with **external** resistors, keep driver resistor value during driver maintenance or replacement.

See 710-0134 Wiring Schematic for more details.

MAKE SURE TO DISCONNECT ALL ELECTRICAL CONNECTIONS BEFORE SERVICING

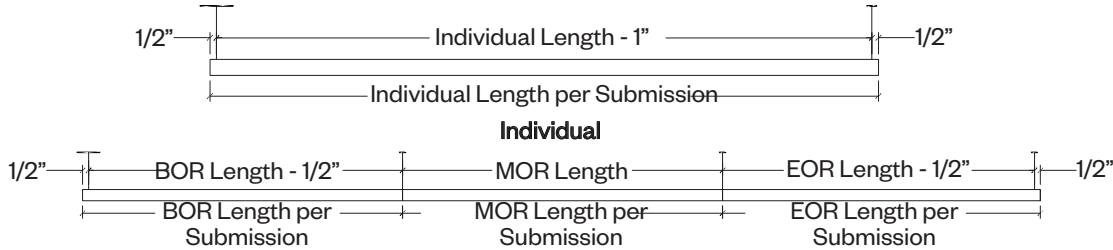
WARNING: RISK OF FIRE AND ELECTRICAL SHOCK. FIXTURE MUST BE INSTALLED BY A QUALIFIED ELECTRICIAN ONLY. FIXTURE IS INTENDED FOR INSTALLATION IN ACCORDANCE WITH THE NATIONAL ELECTRICAL CODE, LOCAL AND FEDERAL SPECIFICATIONS. DISCONNECT POWER AT ELECTRICAL PANEL BEFORE SERVICING.

RETAIN THESE INSTRUCTIONS FOR MAINTENANCE REFERENCE.

Pre-installation Note:

- Supplied by others: 4" octagonal junction boxes, lamps
- Supplied by Amerlux: canopies, suspension cables, light leak protector bagged kts

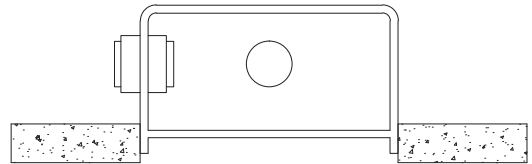
Suspension points:



Example of Continuous Row

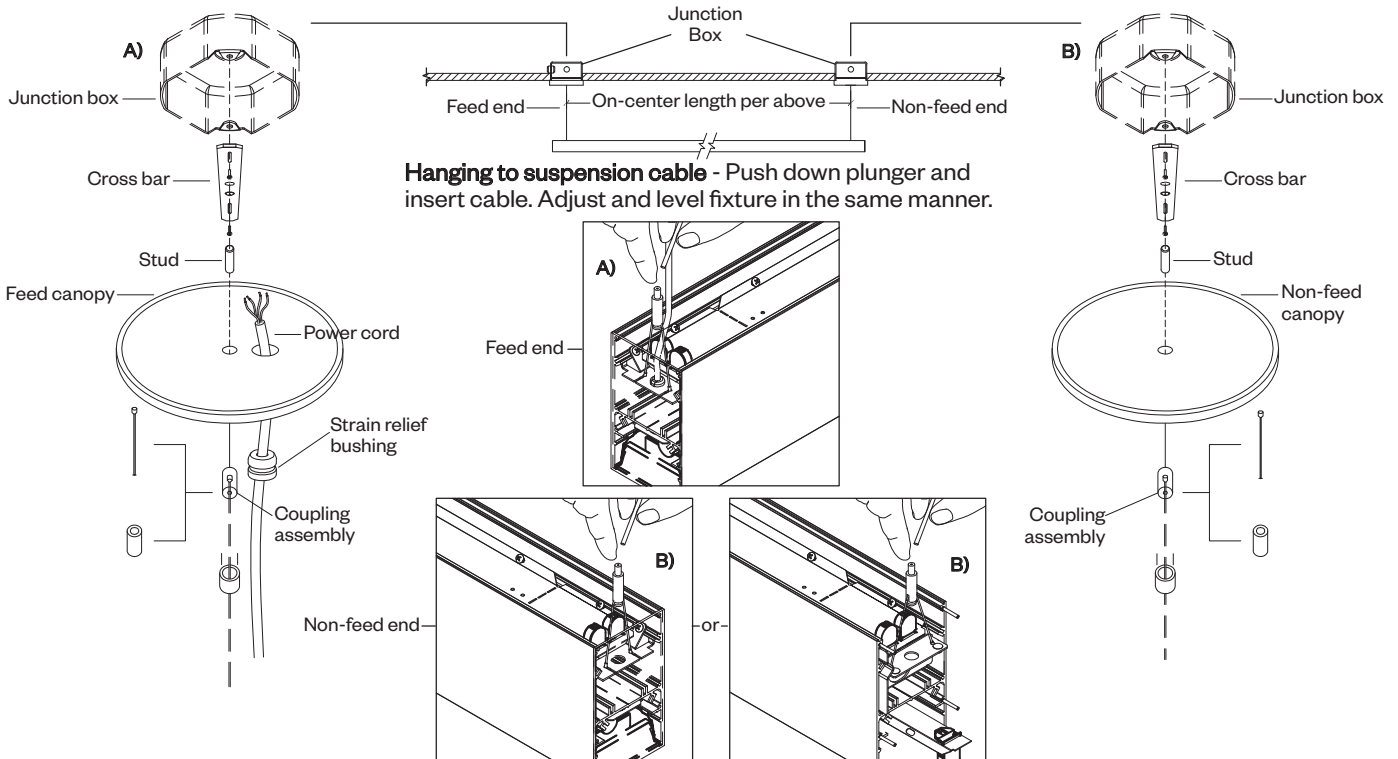
Refer to general contractor/electrician layout for proper location of mounting points/locations for junction boxes.

1. Install junction box(es) - The junction box should be regressed as shown to make sure that the canopy cover sits flush with the ceiling when install is finished.

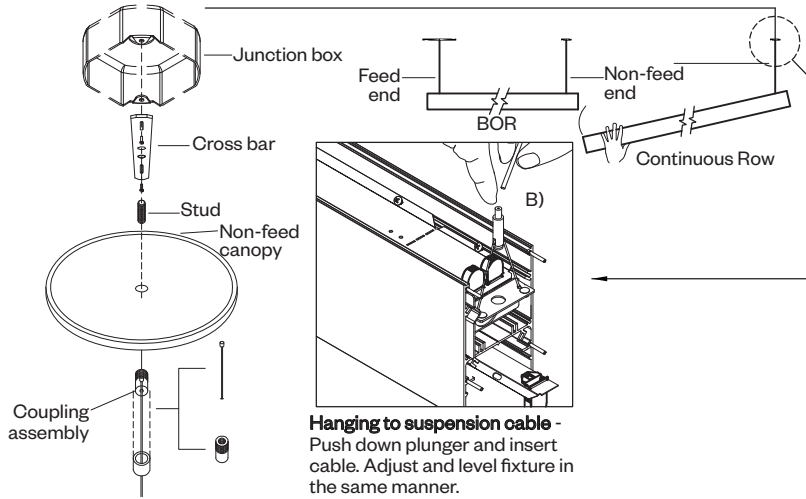


2. Individual and Beginning of Run (BOR) Install:

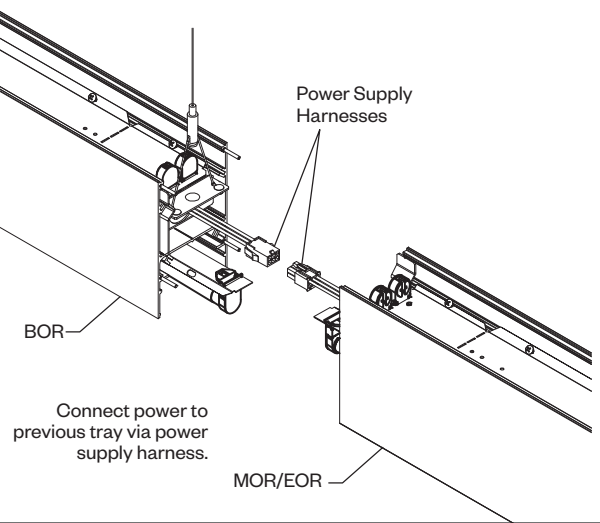
Fluorescent



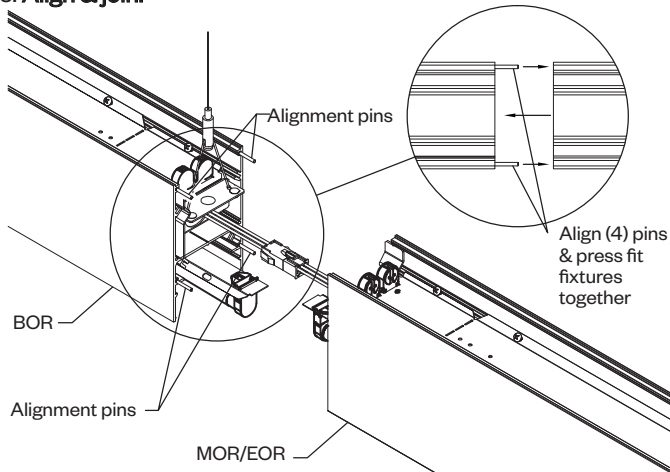
3. Hang MOR/EOR:



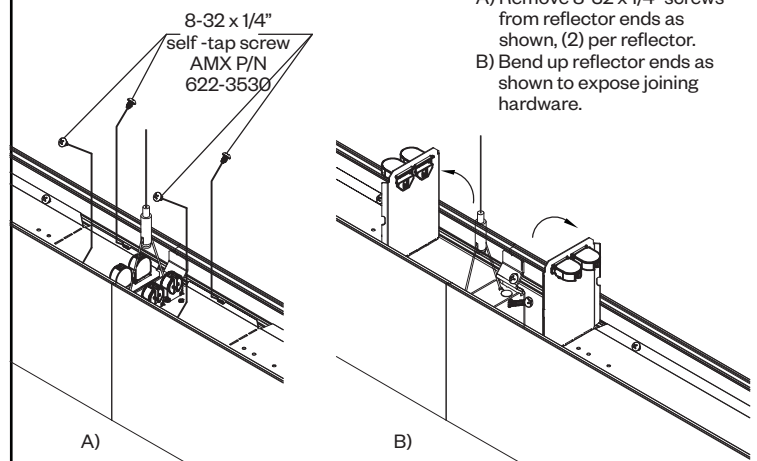
4. Connect Power:



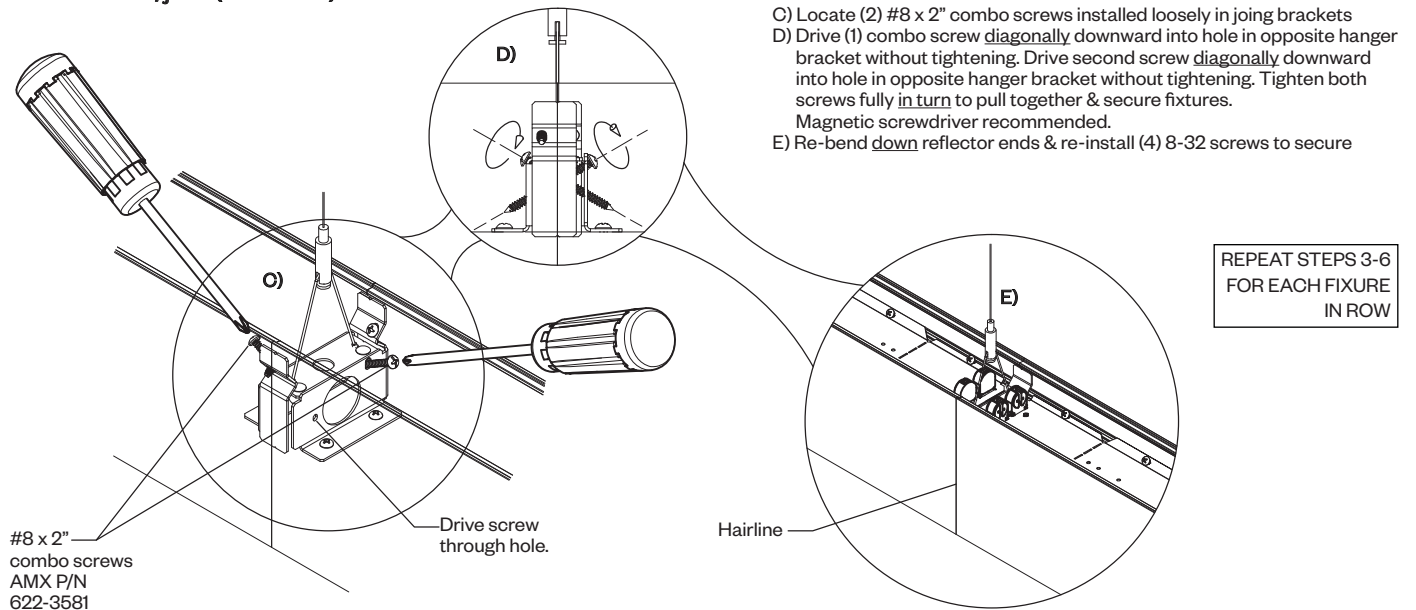
5. Align & join:



6. Secure fixtures/joint:



6. Secure fixtures/joint (continued):



REPEAT STEPS 3-6
FOR EACH FIXTURE
IN ROW

7. Lamping and ballast access:

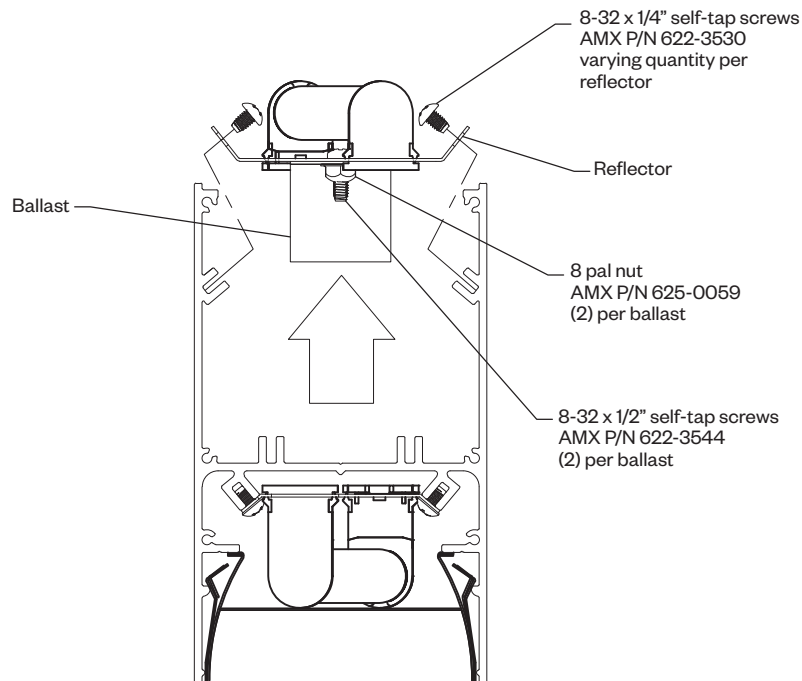
WARNING: Make sure to disconnect all electrical connections before relamping or servicing

1.) Install correct lamps.

See relamping label on reflector for the correct wattage.

2.) Ballast maintenance:

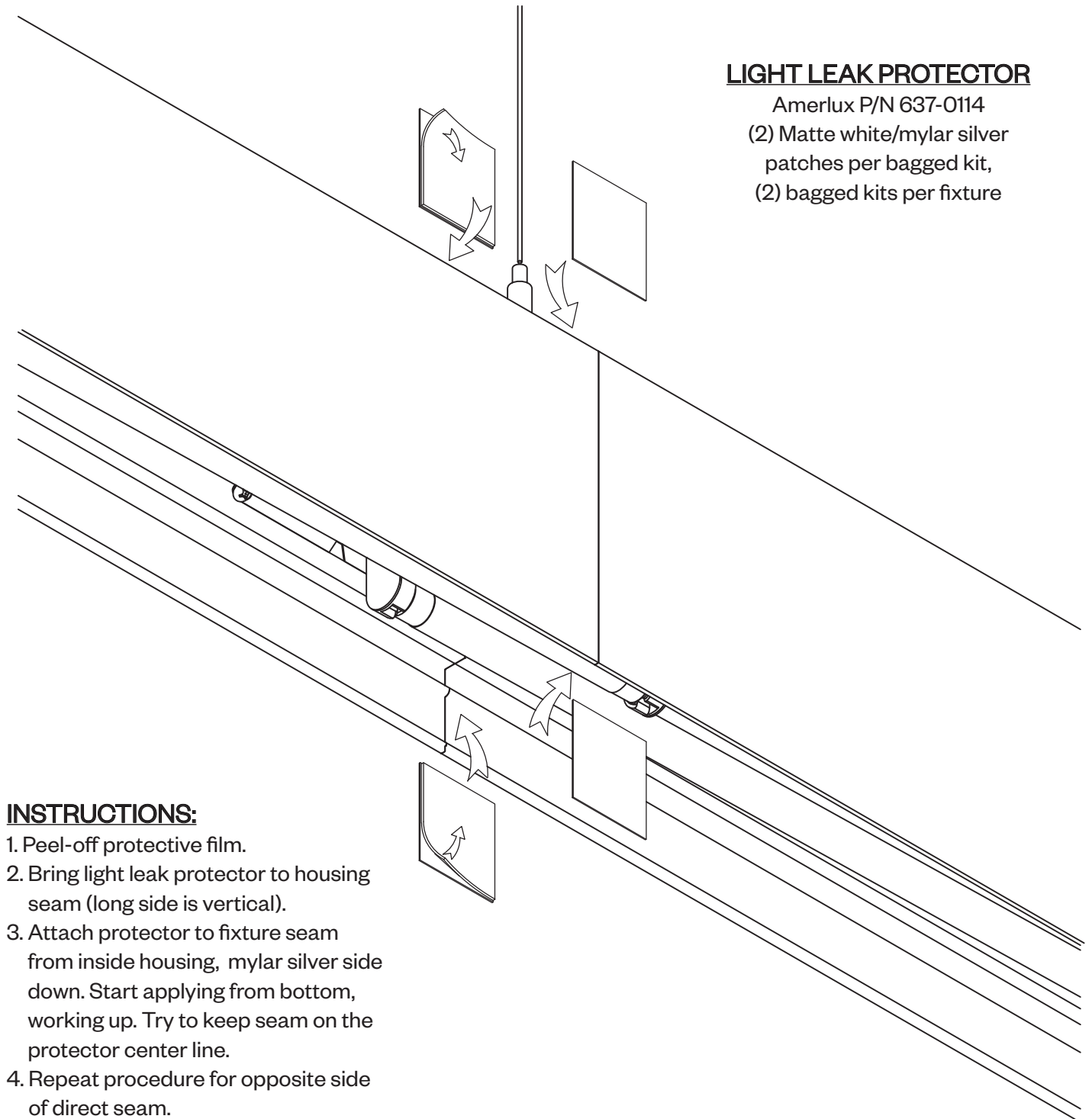
Ballasts are mounted on the underside of the upper reflector tray or on a bracket located beneath the upper tray. Remove reflector screws as shown below to access.



MAKE SURE TO DISCONNECT ALL ELECTRICAL CONNECTIONS BEFORE SERVICING

LIGHT LEAK PROTECTOR

Amerlux P/N 637-0114
(2) Matte white/mylar silver
patches per bagged kit,
(2) bagged kits per fixture



INSTRUCTIONS:

1. Peel-off protective film.
2. Bring light leak protector to housing seam (long side is vertical).
3. Attach protector to fixture seam from inside housing, mylar silver side down. Start applying from bottom, working up. Try to keep seam on the protector center line.
4. Repeat procedure for opposite side of direct seam.
5. Repeat procedure for both sides of indirect seam.

MAKE SURE TO DISCONNECT ALL ELECTRICAL CONNECTIONS BEFORE SERVICING