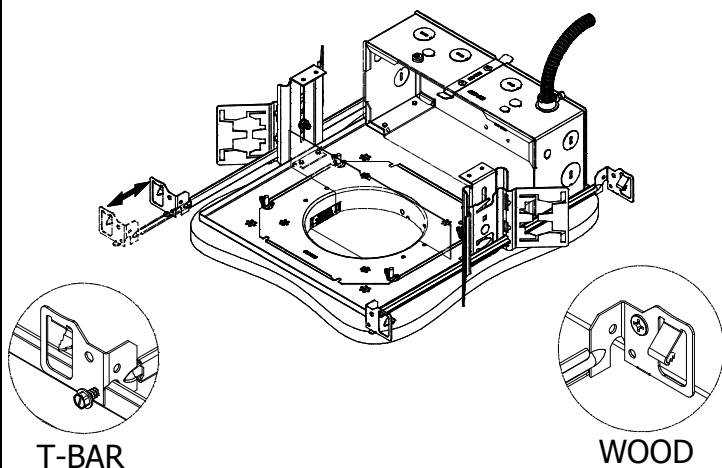


**WARNING - RISK OF FIRE AND ELECTRICAL SHOCK. FIXTURE MUST BE INSTALLED BY A QUALIFIED ELECTRICIAN ONLY. FIXTURE IS INTENDED FOR INSTALLATION IN ACCORDANCE WITH THE NATIONAL ELECTRICAL CODE, LOCAL AND FEDERAL SPECIFICATIONS. DISCONNECT POWER AT ELECTRICAL PANEL BEFORE SERVICING.**

**RETAIN THESE INSTRUCTIONS FOR MAINTENANCE REFERENCE.**

**1 FRAME INSTALL/  
HORIZONTAL ADJUSTMENT**

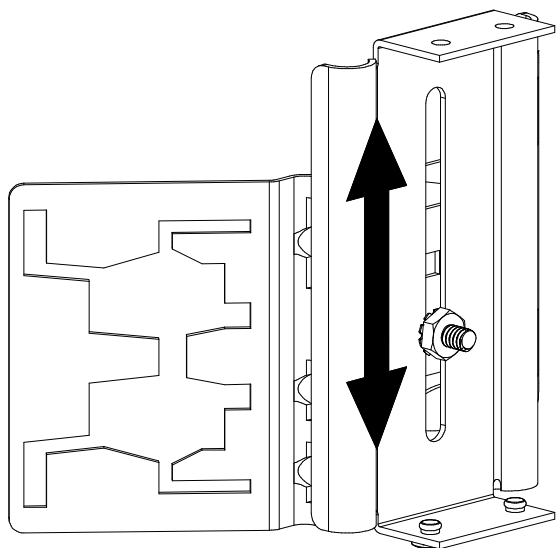
SPREAD HANGER BARS TO APPROPRIATE DISTANCE. FASTEN WITH HARDWARE (BY OTHERS) TO PREVENT VERTICAL MOVEMENT OF FIXTURE.



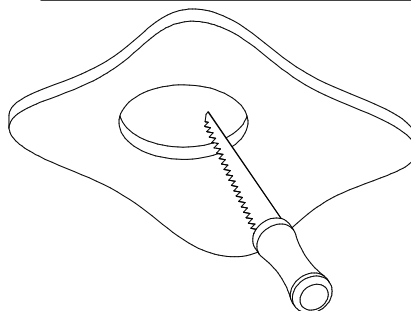
*NOTE: FOR WALL WASH SEE "WALL WASH ORIENTATION".*

**3 VERTICAL ADJUSTMENT**

LOOSEN 3/8" NUT, ADJUST HEIGHT, THEN TIGHTEN NUT.



**2a CUT HOLE IN CEILING**

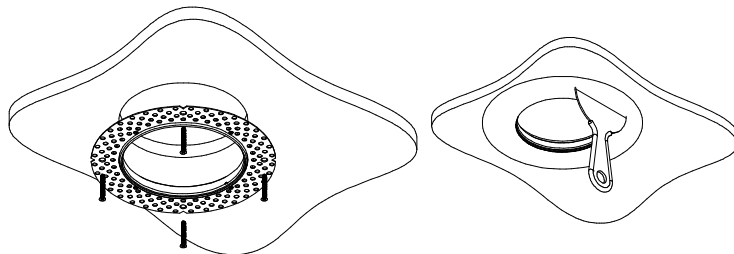


**STANDARD:**  
Ø5 1/8 in.

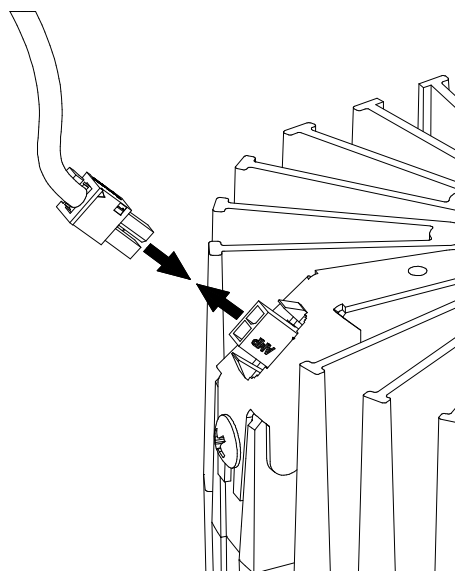
**TRIMLESS:**  
Ø5 7/8 in.

**2b INSTALL MUD RING (TRIMLESS ONLY)**

ATTACH MUD RING TO CEILING WITH SCREWS, THEN COVER WITH A THIN LAYER OF FINISH PLASTER.



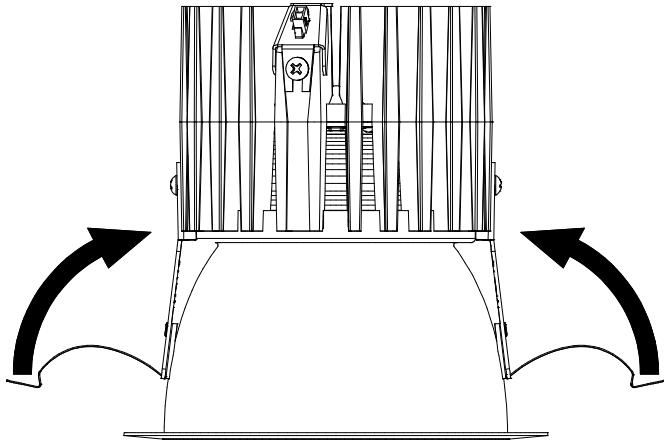
**4 MAKE ELECTRICAL CONNECTION**



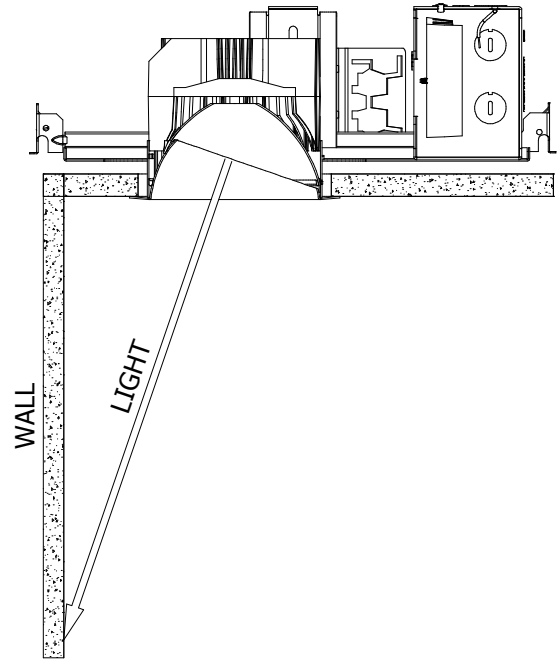
**WARNING - RISK OF FIRE AND ELECTRICAL SHOCK. FIXTURE MUST BE INSTALLED BY A QUALIFIED ELECTRICIAN ONLY. FIXTURE IS INTENDED FOR INSTALLATION IN ACCORDANCE WITH THE NATIONAL ELECTRICAL CODE, LOCAL AND FEDERAL SPECIFICATIONS. DISCONNECT POWER AT ELECTRICAL PANEL BEFORE SERVICING.**

**RETAIN THESE INSTRUCTIONS FOR MAINTENANCE REFERENCE.**

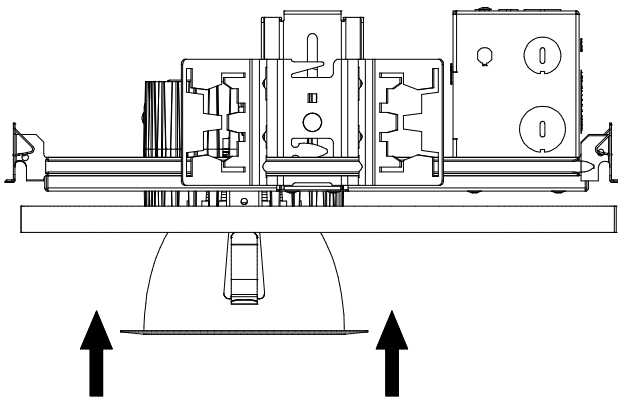
**5 COMPRESS SPRING CLIPS**



**6 ORIENT WALL WASH**



**7 INSERT TRIM**



**DRIVER BOX MAINTENANCE**

REMOVE OPTIC HEAD.  
PUSH UP ON CLIP THEN OPEN DOOR

