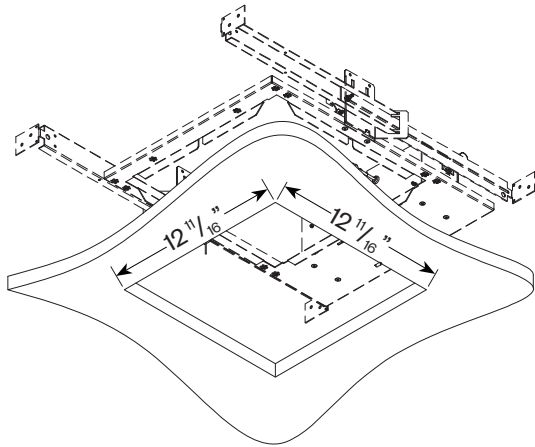


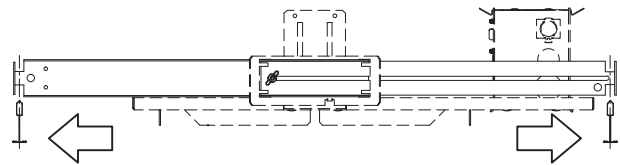
**WARNING: RISK OF FIRE AND ELECTRICAL SHOCK. FIXTURE MUST BE INSTALLED BY A QUALIFIED ELECTRICIAN ONLY. FIXTURE IS INTENDED FOR INSTALLATION IN ACCORDANCE WITH THE NATIONAL ELECTRICAL CODE, LOCAL AND FEDERAL SPECIFICATIONS. DISCONNECT POWER AT ELECTRICAL PANEL BEFORE SERVICING.**

**RETAIN THESE INSTRUCTIONS FOR MAINTENANCE REFERENCE.**

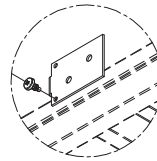
**Grid Ceiling Installation:**



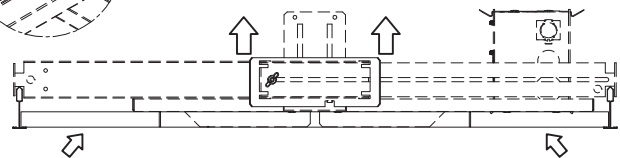
1. Prepare a cutout in the ceiling tile. 12": 12 <sup>11</sup>/<sub>16</sub>" x 12 <sup>11</sup>/<sub>16</sub>"  
9": 9 <sup>11</sup>/<sub>16</sub>" x 9 <sup>11</sup>/<sub>16</sub>"



2a. Adjust arm width to match grid spacing.

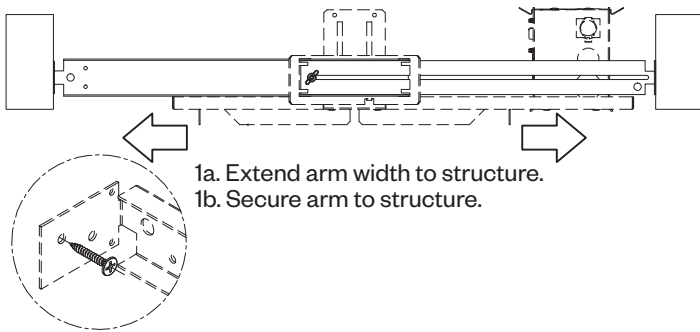


2b. Lay arm on grid and secure with self drilling screws.

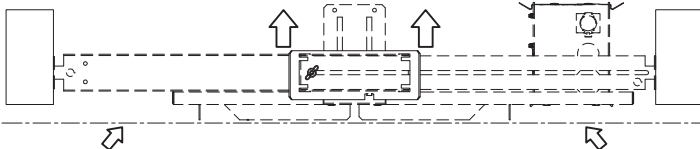


3. Adjust bracket so that frame is slightly recessed from bottom edge of ceiling tile.

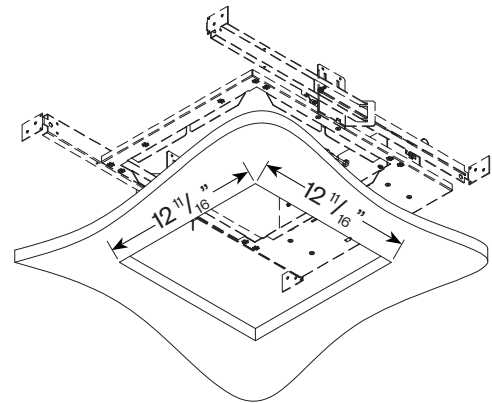
**Gypsum Board (GB) Ceiling Installation:**



1a. Extend arm width to structure.  
1b. Secure arm to structure.

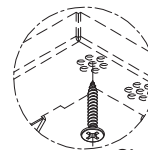


2. Adjust bracket so that frame is slightly recessed from bottom edge of Gyp Ceiling.



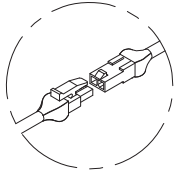
3a. Prepare a cutout in the Gyp Board.

12": 12 <sup>11</sup>/<sub>16</sub>" x 12 <sup>11</sup>/<sub>16</sub>"  
9": 9 <sup>11</sup>/<sub>16</sub>" x 9 <sup>11</sup>/<sub>16</sub>"

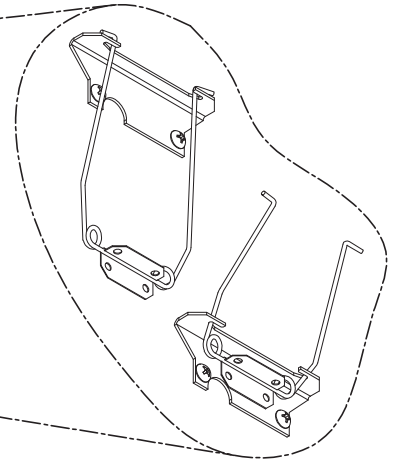
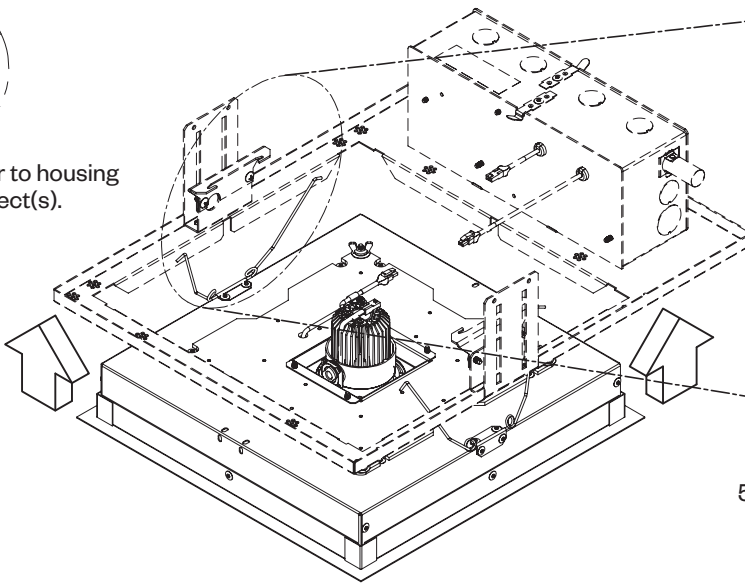


3b. Fasten Gyp Board to frame via cluster locations (Hardware by others).

**Housing Installation:**

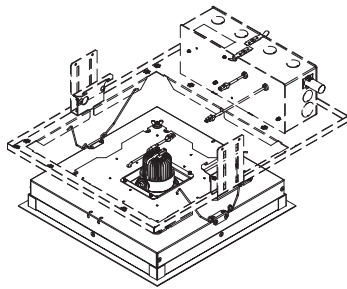


4. Connect power to housing via quick-connect(s).

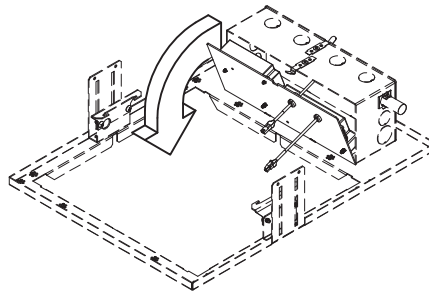


5. Squeeze spring and fit into bracket. Raise housing unit into frame until spring opens to hold in place.

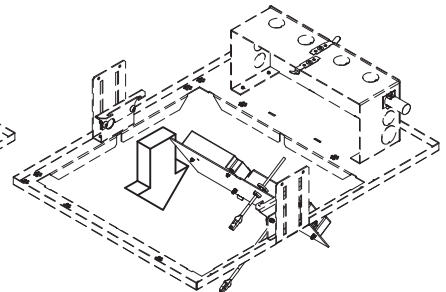
**Driver Maintenance:**



1. Remove and disconnect housing.



2. Disengage Driver compartment door and rotate out.



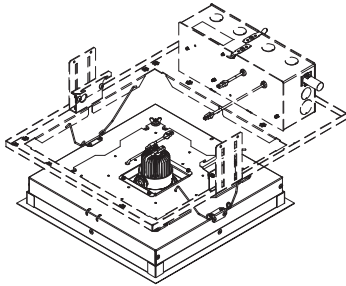
3. Remove door through fixture opening.



Driver Door Layout

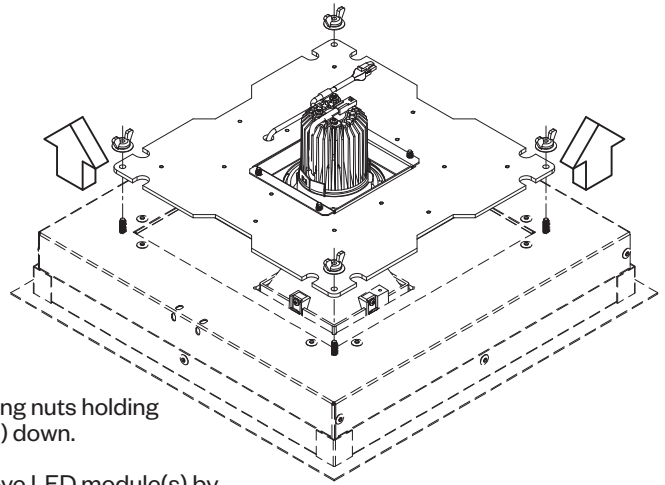
**MAKE SURE ALL POWER TO FIXTURE IS OFF/DISCONNECTED BEFORE ANY SERVICING/MAINTENANCE.**

**Relamping:**



1. Remove and disconnect housing.

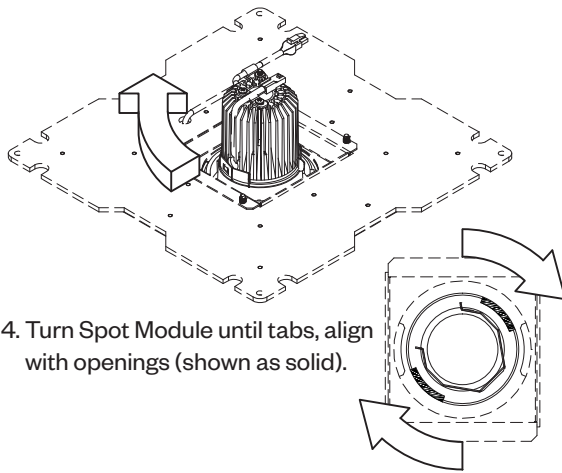
**Ambient (ESG & EG):**



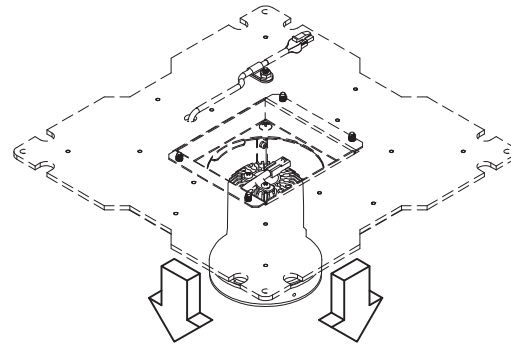
2. Remove (4) wing nuts holding LED module(s) down.

3. Remove LED module(s) by lifting tray off studs.

**Spot (ESG):** Follow Ambient (above) steps first.



4. Turn Spot Module until tabs, align with openings (shown as solid).



5. Once tabs are released, remove Spot Module down through sheet metal chimney.

**MAKE SURE ALL POWER TO FIXTURE IS OFF/DISCONNECTED  
BEFORE ANY SERVICING/MAINTENANCE.**