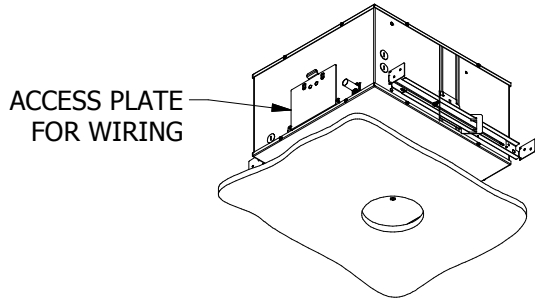


WARNING - RISK OF FIRE AND ELECTRICAL SHOCK. FIXTURE MUST BE INSTALLED BY A QUALIFIED ELECTRICIAN ONLY. FIXTURE IS INTENDED FOR INSTALLATION IN ACCORDANCE WITH THE NATIONAL ELECTRICAL CODE, LOCAL AND FEDERAL SPECIFICATIONS. DISCONNECT POWER AT ELECTRICAL PANEL BEFORE SERVICING.

RETAIN THESE INSTRUCTIONS FOR MAINTENANCE REFERENCE.

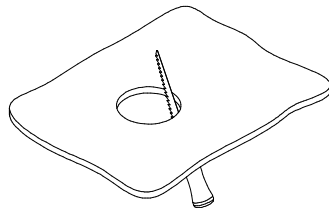
1 SECURE FIXTURE AND MAKE ELECTRICAL CONNECTION



2 CUT HOLE IN CEILING FOR TRIMLESS SEE 4a

CUTOUT DIMENSIONS: (STANDARD)

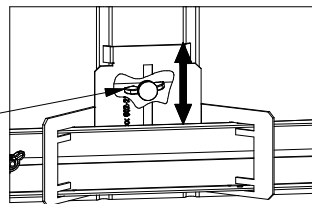
E6RA: Ø6.625"
E4.75RA: Ø5.375"
E4.75SA: 5.375" X 5.375"



ALIGN APERTURE PLATE WITH CEILING CUTOUT. APERTURE PLATE TO BE FLUSH WITH CEILING BOTTOM.

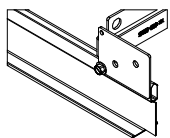
3 ADJUST FIXTURE

WING NUT ON INSIDE OF HOUSING

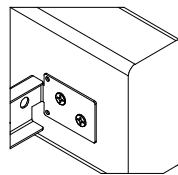
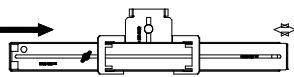


VERTICAL ADJUSTMENT

LOOSEN WING NUT, ADJUST HEIGHT THEN TIGHTEN WING NUT.



T-BAR

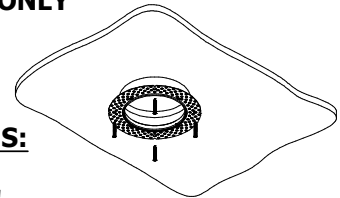


WOOD

HORIZONTAL ADJUSTMENT

SPREAD HANGER BARS AND MOUNT TO T-BAR OR WOOD WITH HARDWARE SUPPLIED BY OTHERS.

4a INSTALL MUD RING FOR TRIMLESS ONLY

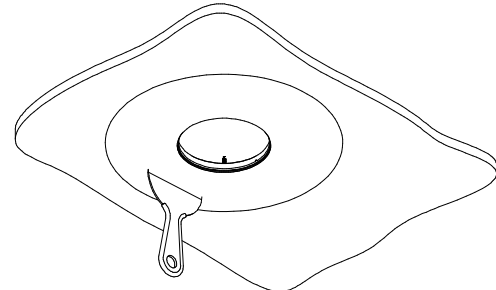


CUTOUT DIMENSIONS: (TRIMLESS)

E4.75RA TL: Ø5.875"
E4.75SA TL: 5.875" X 5.875"

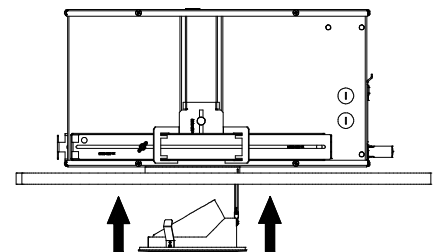
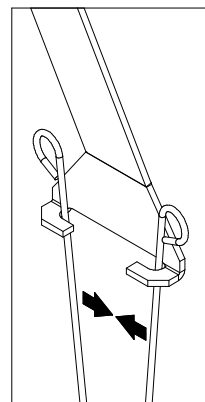
ATTACH MUD RING TO CEILING WITH SCREWS

4b PLASTER FINISH FOR TRIMLESS ONLY



COVER MUD RING WITH A THIN LAYER OF FINISH PLASTER

5 INSTALL TRIM



COMPRESS TORSION SPRING AND LOCATE SPRING IN BRACKET THEN INSERT TRIM INTO HOUSING.

INSTRUCTION SHEET



E6RA E4.75R/SA, G2, FIATO MAINTENANCE

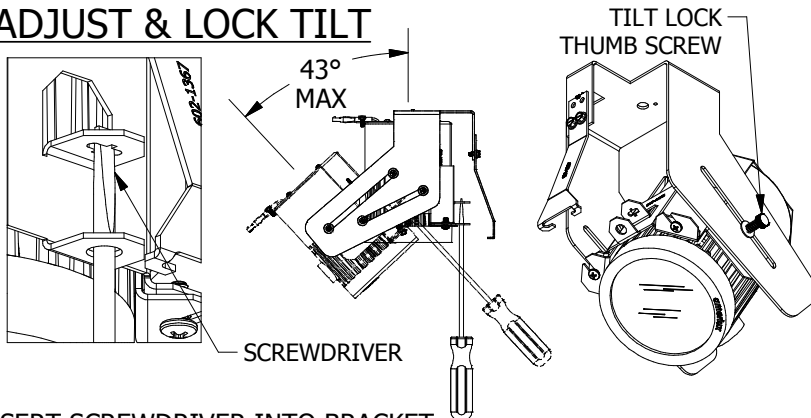
689-0455

PAGE 2 OF 2

WARNING - RISK OF FIRE AND ELECTRICAL SHOCK. FIXTURE MUST BE INSTALLED BY A QUALIFIED ELECTRICIAN ONLY. FIXTURE IS INTENDED FOR INSTALLATION IN ACCORDANCE WITH THE NATIONAL ELECTRICAL CODE, LOCAL AND FEDERAL SPECIFICATIONS. DISCONNECT POWER AT ELECTRICAL PANEL BEFORE SERVICING.

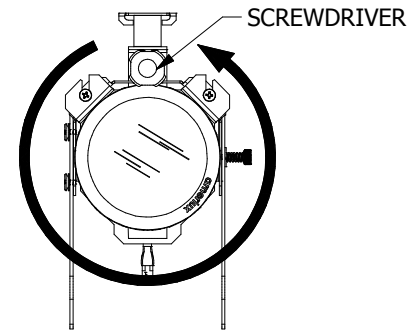
RETAIN THESE INSTRUCTIONS FOR MAINTENANCE REFERENCE.

ADJUST & LOCK TILT



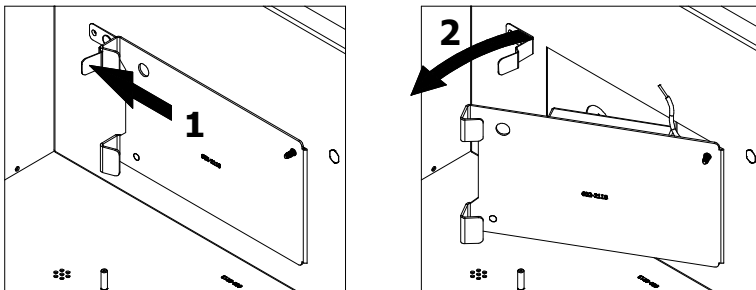
INSERT SCREWDRIVER INTO BRACKET AS SHOWN THEN ROTATE TO DESIRED ANGLE.

ADJUST ROTATION



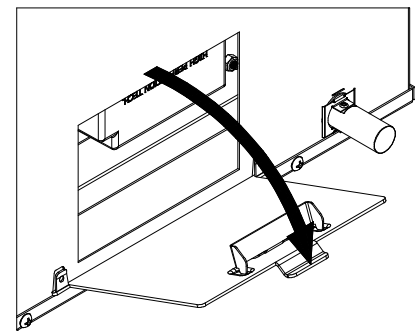
INSERT SCREWDRIVER INTO BRACKET AS SHOWN PREVIOUSLY AND ROTATE TO DESIRED POSITION.

JUNCTION BOX ACCESS



DRIVER DOOR ACCESS

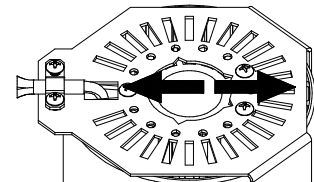
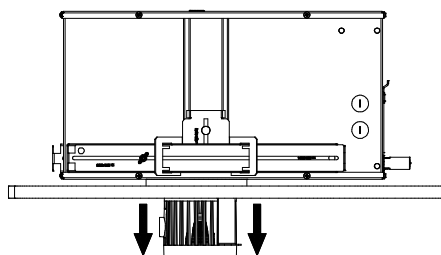
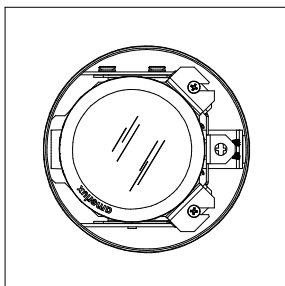
REMOVE TRIM AND OPTICAL HEAD (SEE BELOW FOR INSTRUCTION), PRESS AND HOLD TAB (1) THEN OPEN DRIVER BOX DOOR (2).



EXTERNAL ACCESS

PULL DOWN TAB AND DOOR AS SHOWN.

LED/OPTICAL HEAD REMOVAL



REMOVE TRIM, LOOSEN AND REMOVE 2X #8 SCREWS, PULL OPTICAL HEAD ASSEMBLY THROUGH APERTURE HOLE THEN DISCONNECT OPTICAL HEAD HARNESS FROM JUNCTION BOX HARNESS.

WARNING: DO NOT LET THE OPTICAL HEAD ASSEMBLY HANG FREELY AS THIS MAY CAUSE DAMAGE OR INJURY.

Amerlux, 178 Bauer Drive, Oakland, N.J. 07436, T: 973-882-5010, F: 973-882-2604 www.amerlux.com