



LS35I and LS35D T5, T5HO and LED

WALL MOUNTED INDIVIDUAL FIXTURES OR CONTINUOUS ROW MOUNTED

WARNING - RISK OF FIRE AND ELECTRICAL SHOCK. FIXTURE MUST BE INSTALLED BY A QUALIFIED ELECTRICIAN ONLY. FIXTURE IS INTENDED FOR INSTALLATION IN ACCORDANCE WITH THE NATIONAL ELECTRICAL CODE, LOCAL AND FEDERAL SPECIFICATIONS. DISCONNECT POWER AT ELECTRICAL PANEL BEFORE SERVICING .

RETAIN THESE INSTRUCTIONS FOR MAINTENANCE REFERENCE.

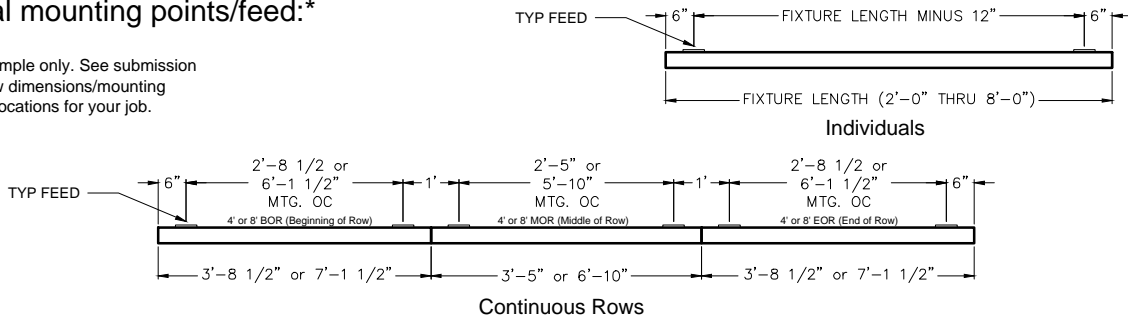
Pre-installation Note:

Supplied by others: - junction boxes/conduit
- mounting hardware
- lamps

Supplied by Amerlux: - wall mounting brackets

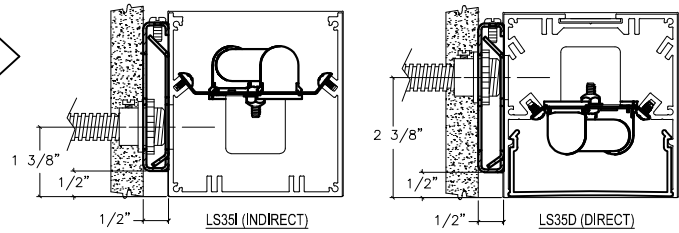
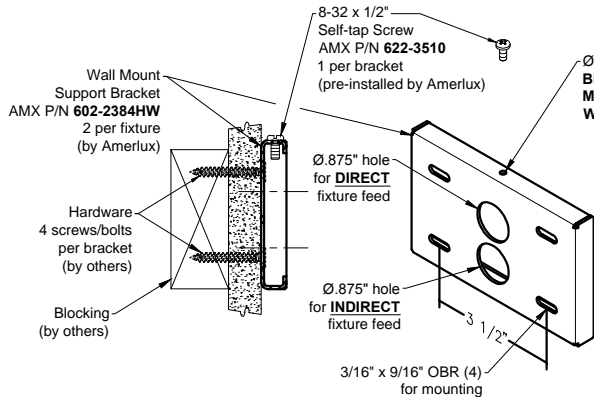
Longitudinal mounting points/feed:*

*Typical example only. See submission for exact row dimensions/mounting points/feed locations for your job.



I. Wall mount support bracket installation:

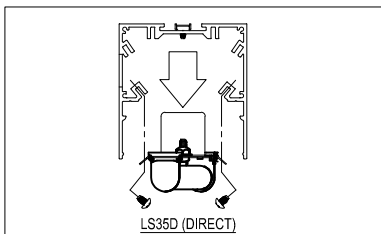
1. Orient wall mount support bracket with 1/28 hole & pre-installed screw **UP** as shown at left & below.
2. If feed location, secure feed conduit (by others) to appropriate hole in backside of wall bracket as shown below.
3. Install wall bracket to wall using (4) mounting screws (by others) as shown at left.



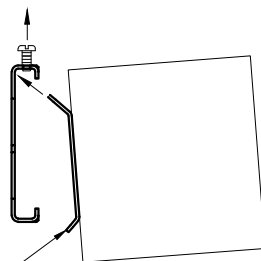
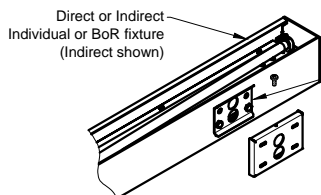
II. Individual/BoR installation:

1. If LS35D (direct) remove reflector tray at feed location per inset (do not remove LS35I reflector). While supporting fixture at proximity of wall brackets, make electrical connections per NEC & local codes. Pull excess wiring into fixture wireway.

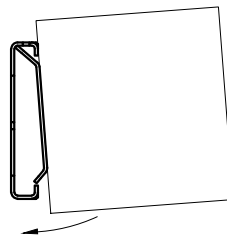
T5/T5HO FEED WIRING CONNECTIONS
Additional connections (not shown) as required for dimming, EM or other wiring requirements will be labeled. Cap all unused leads. Wire nuts supplied by others.



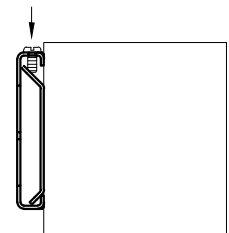
LS35D only. Remove reflector tray -
Remove mounting screws then remove tray.



2. Back off or remove wall bracket screws as shown. Angle fixture as shown & push fixture mounting brackets **up** into wall brackets.



3. Holding fixture brackets pressed **up** against inside top surface of wall brackets, rotate bottom of fixture toward wall until fixture brackets clear bottom flange of wall brackets. Pull excess wiring into fixture wireway as necessary.

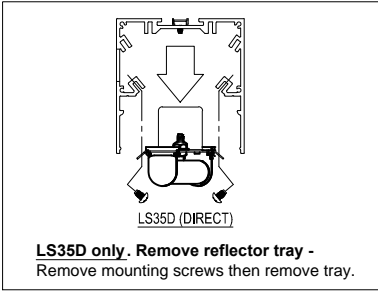


4. Let fixture drop into wall brackets & secure with 8-32 screws. Reinstall reflector tray at feed location.

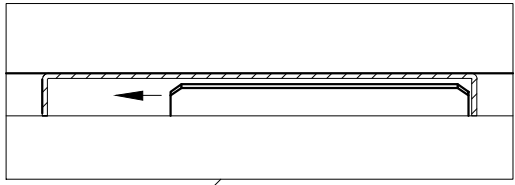


III. Row joining (LS35D/LS35I):

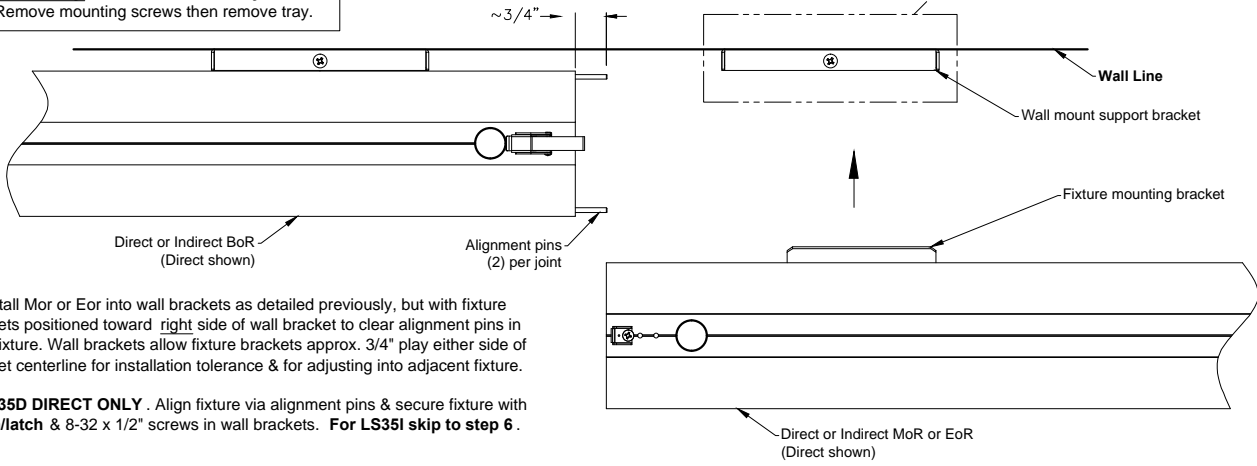
1



1. If LS35D (direct) remove reflector tray at joining location per inset (do not remove LS35I reflector).



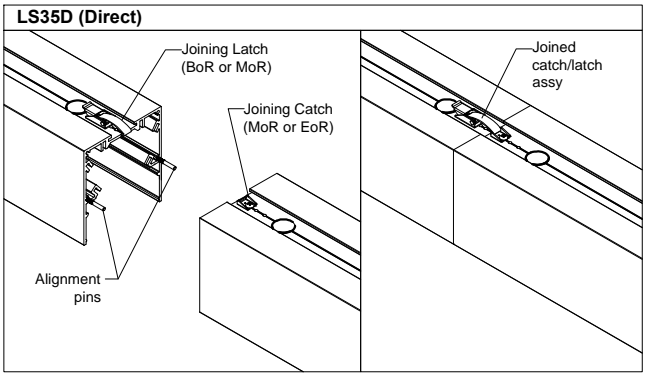
2



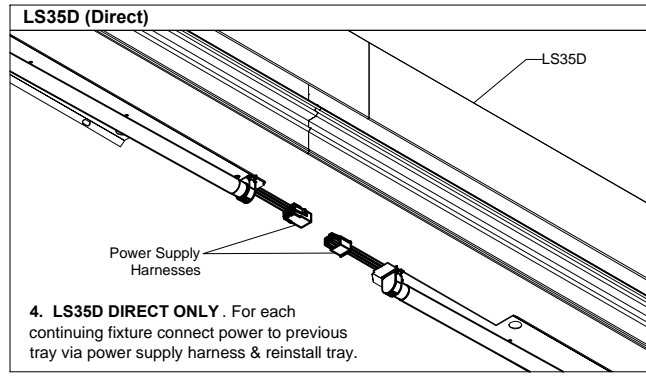
2. Install MoR or EoR into wall brackets as detailed previously, but with fixture brackets positioned toward right side of wall bracket to clear alignment pins in BoR fixture. Wall brackets allow fixture brackets approx. 3/4" play either side of bracket centerline for installation tolerance & for adjusting into adjacent fixture.

3. **LS35D DIRECT ONLY**. Align fixture via alignment pins & secure fixture with catch/latch & 8-32 x 1/2" screws in wall brackets. **For LS35I skip to step 6.**

3



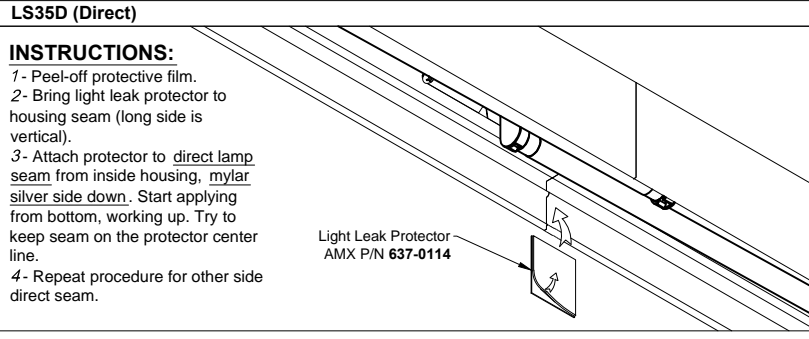
4



4. **LS35D DIRECT ONLY**. For each continuing fixture connect power to previous tray via power supply harness & reinstall tray.

5. **LS35D DIRECT ONLY**. Install Light Leak Protector at each fixture joint, AMX P/N 637-0114, (2) matte white/mylar silver patches per bagged kit, (1) bagged kit per fixture joint.

5

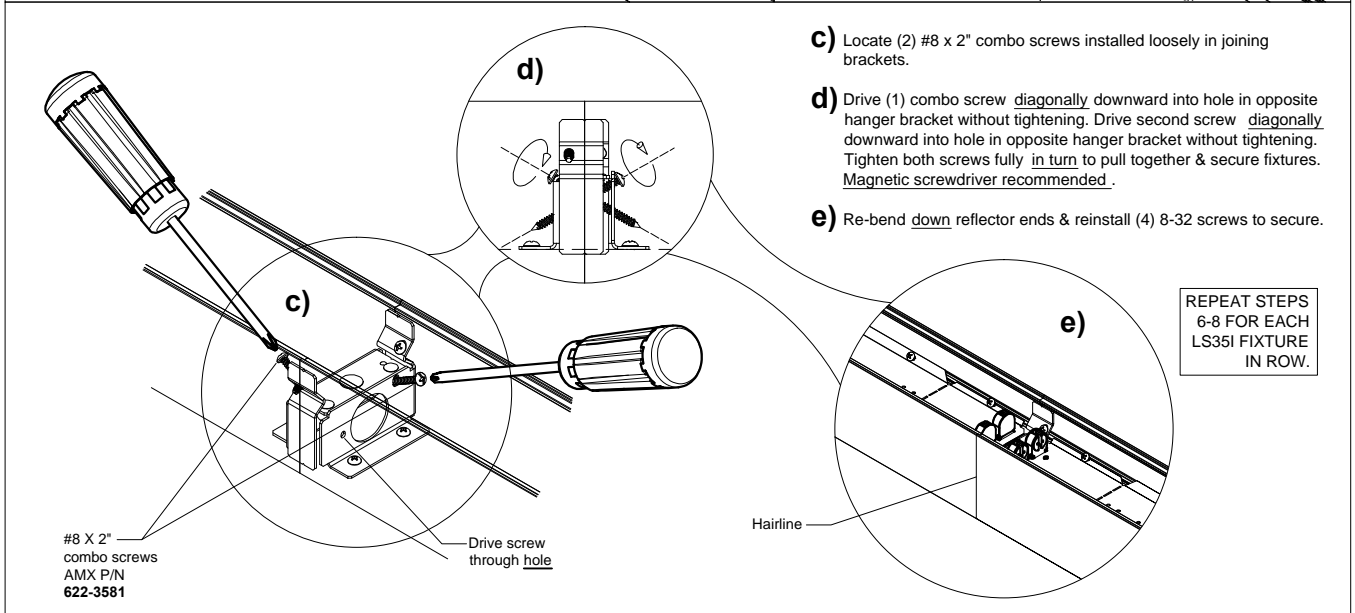
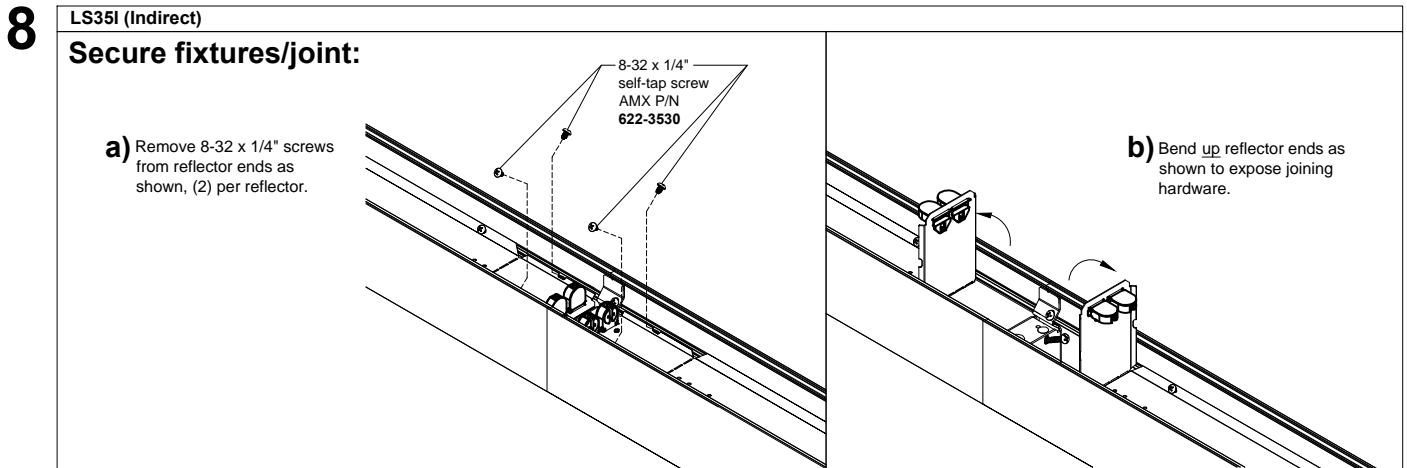
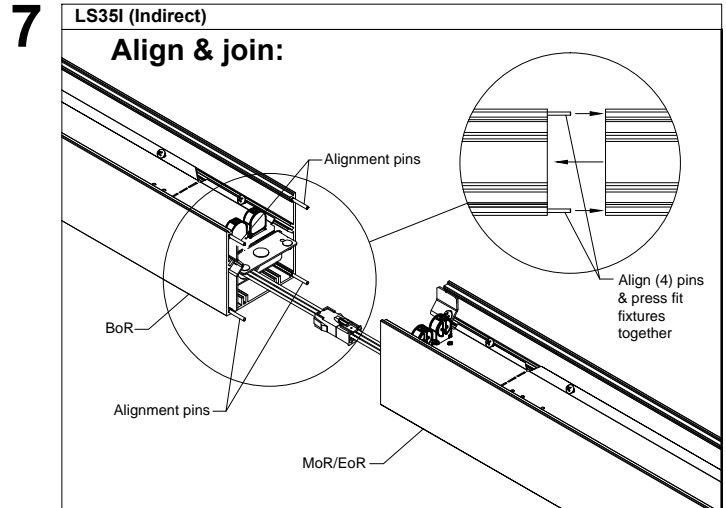
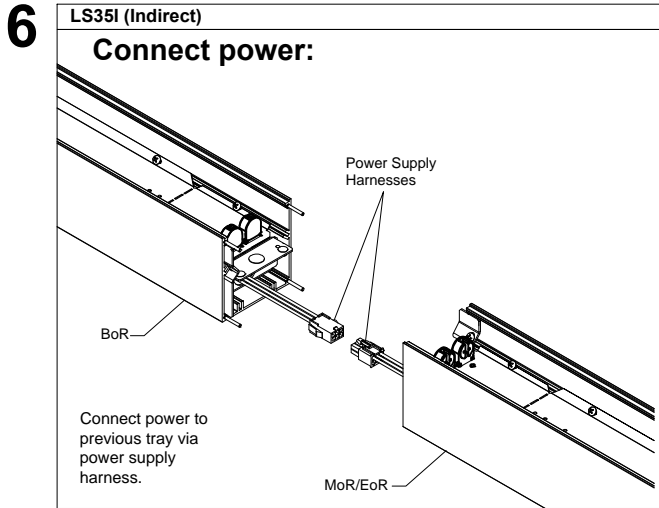


1. **Install correct lamps.** See relamping label on reflector for the correct wattage.
2. **Ballast maintenance.** Ballasts are located on underside of reflector tray. Remove reflector tray screws to access (see Inset above).

MAKE SURE TO DISCONNECT ALL ELECTRICAL CONNECTIONS BEFORE RELAMPING.



III. Row joining cont'd (LS35I):

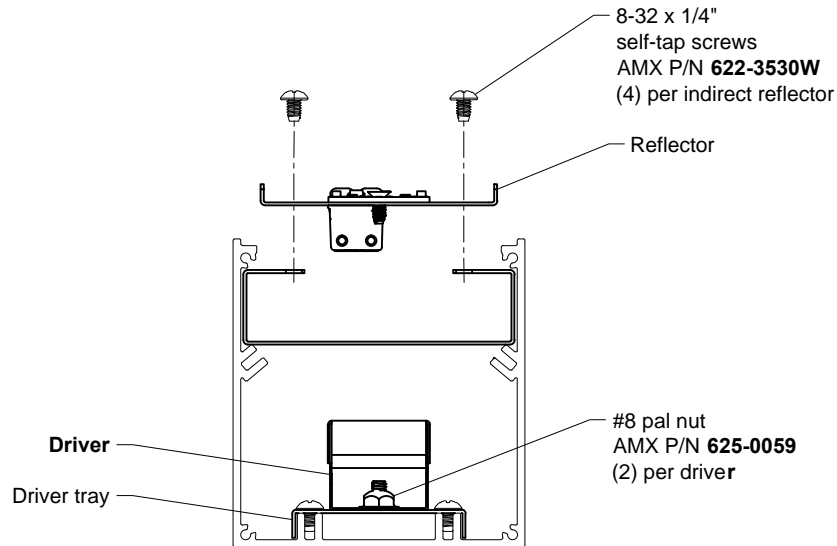


MAKE SURE TO DISCONNECT ALL ELECTRICAL CONNECTIONS BEFORE RELAMPING.

Connect power:



12 LED reflector removal (only required to access driver)



WARNING: Electrostatic and polarity sensitive device. Use caution while handling and wiring.

1.) LED Fixture:

Consult Amerlux for LED maintenance.

2.) LED Replacement:

For LED board replacement reference 689-0394 Instruction Sheet.

3.) Driver maintenance:

Drivers are located on tray beneath indirect reflectors, (1) driver per tray, secured by (2) #8 pal nuts. Remove the reflector mounting screws to access. For **programmable** driver replacement please specify: **Manufacturer**, **Model No.** and **Current Setting** (mA). For drivers with **external** resistors, keep driver resistor value during driver maintenance or replacement.

See 710-0134 Wiring Schematic for more details.

MAKE SURE TO DISCONNECT ALL ELECTRICAL CONNECTIONS BEFORE RELAMPING.

Amerlux, LLC. - 178 Bauer Drive, Oakland, NJ 07436 - T: 973-882-5010 - F: 973-882-2605
www.amerlux.com