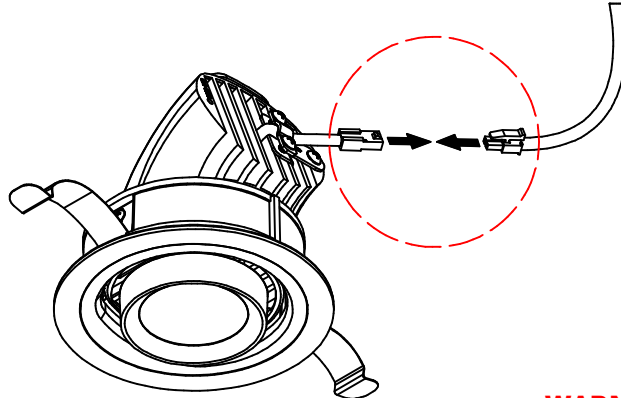
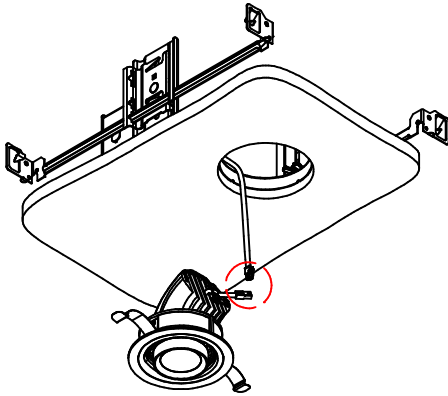


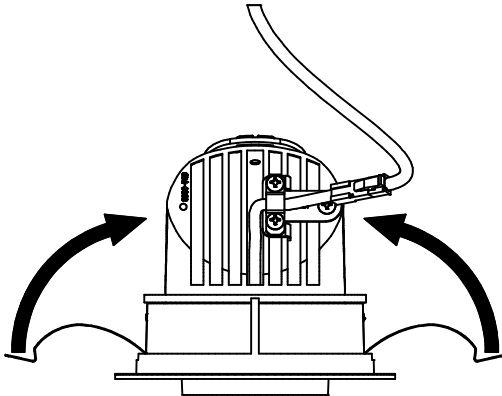
WARNING - RISK OF FIRE AND ELECTRICAL SHOCK. FIXTURE MUST BE INSTALLED BY A QUALIFIED ELECTRICIAN ONLY. FIXTURE IS INTENDED FOR INSTALLATION IN ACCORDANCE WITH THE NATIONAL ELECTRICAL CODE, LOCAL AND FEDERAL SPECIFICATIONS. DISCONNECT POWER AT ELECTRICAL PANEL BEFORE SERVICING. RETAIN THESE INSTRUCTIONS FOR MAINTENANCE REFERENCE.

1 MAKE ELECTRICAL CONNECTION

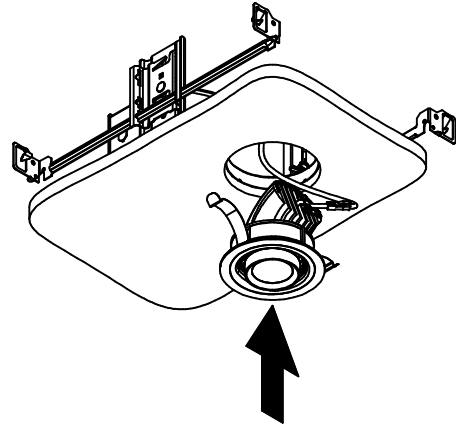


WARNING
DO NOT SUPPORT TRIM ASSEMBLY WEIGHT USING QUICK CONNECT HARNESS

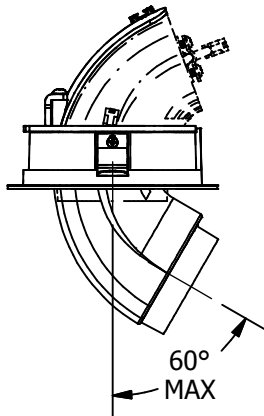
2 COMPRESS SPRING CLIPS



3 INSERT OPTICAL HEAD



TILT ADJUSTMENT



ROTATION ADJUSTMENT

